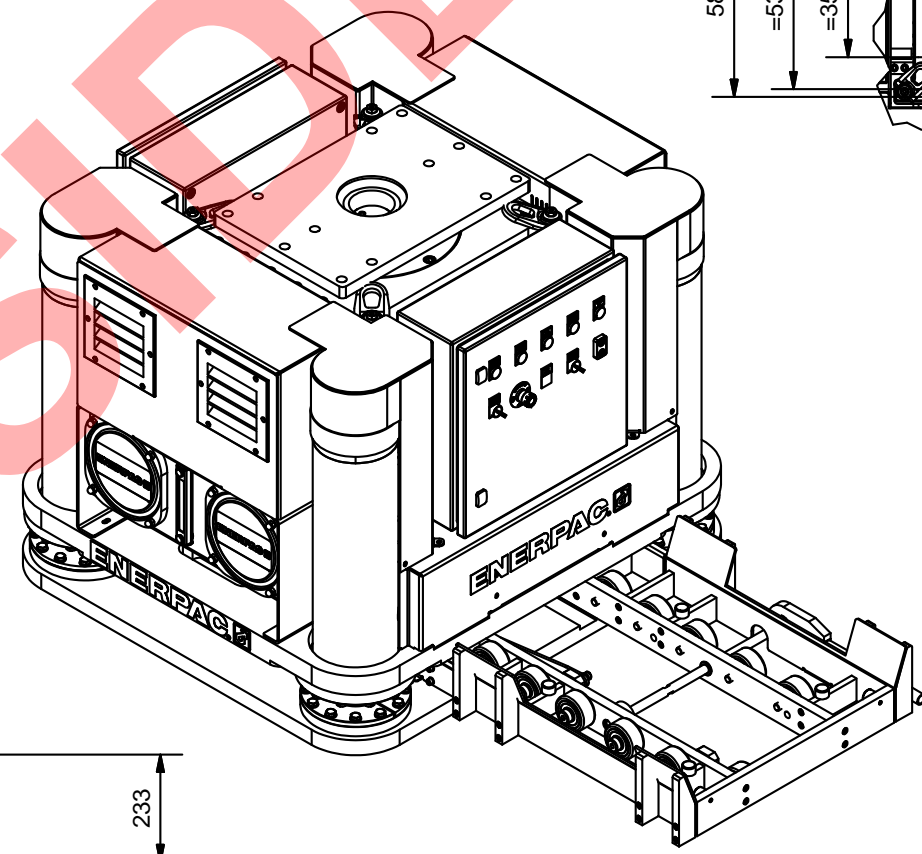
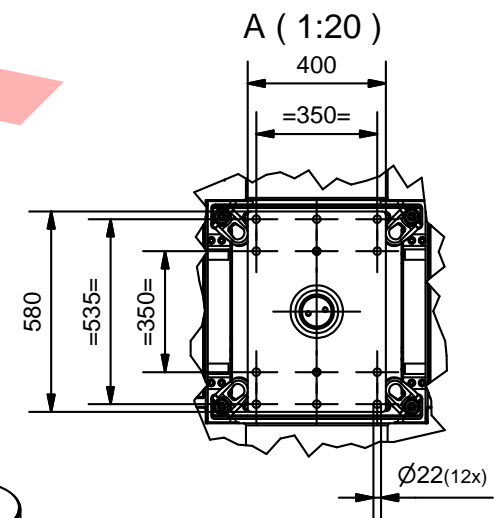
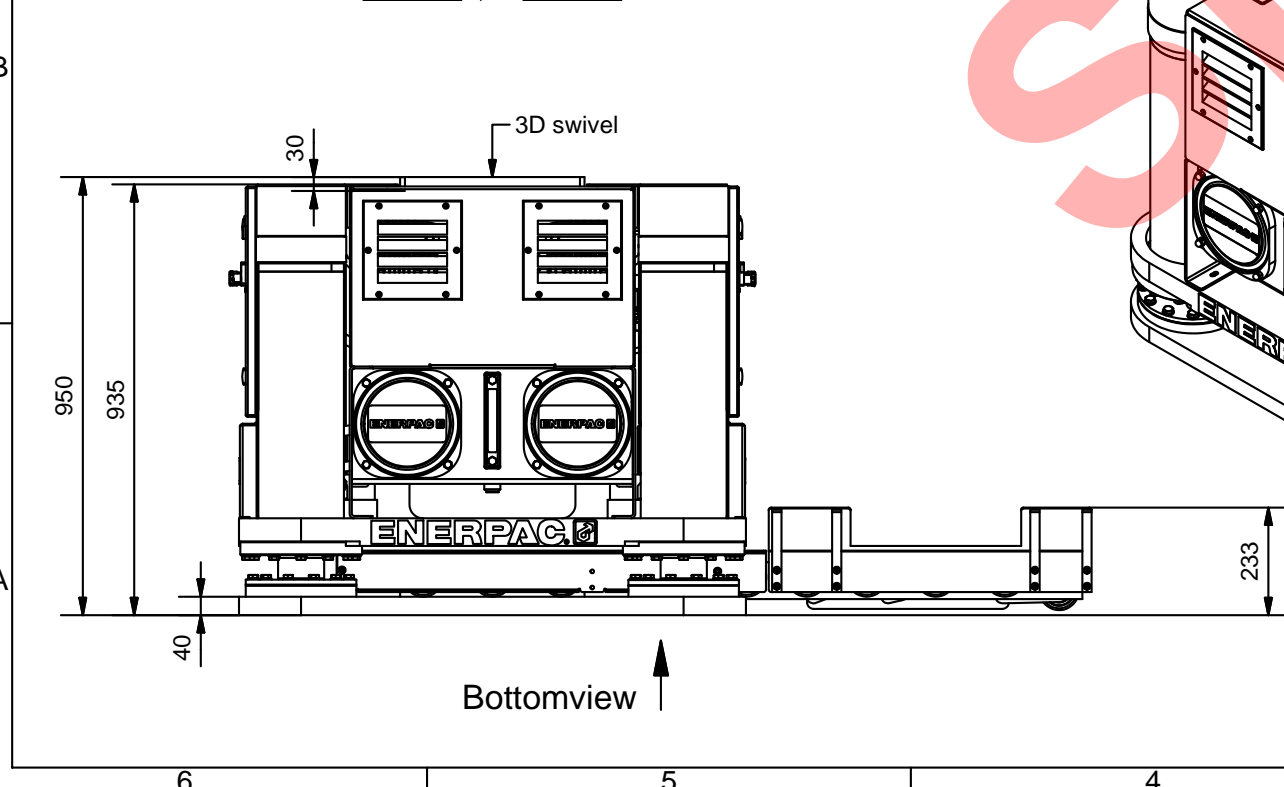
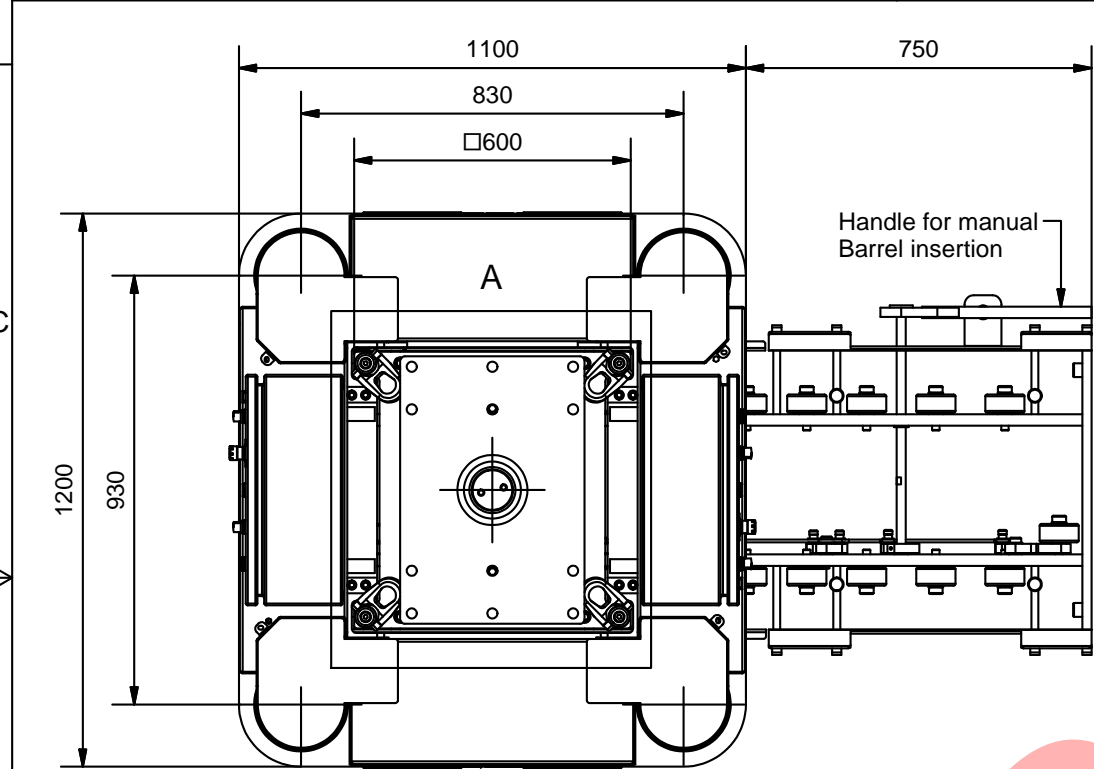
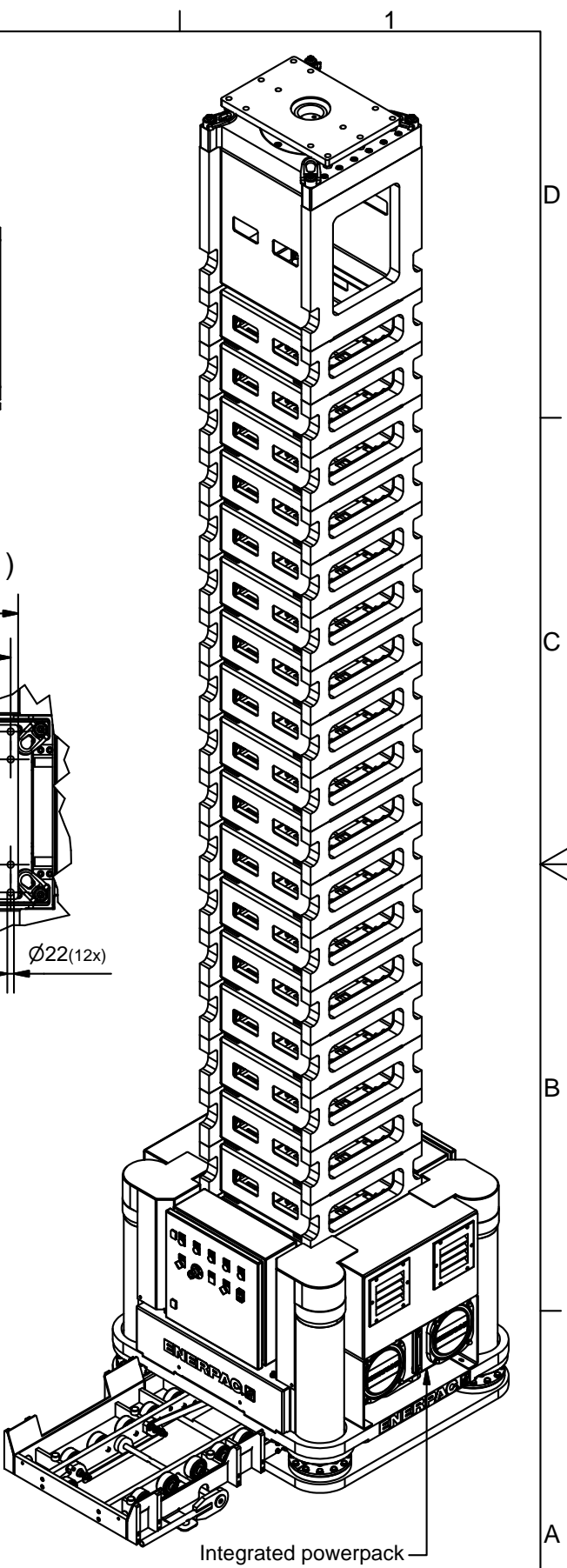
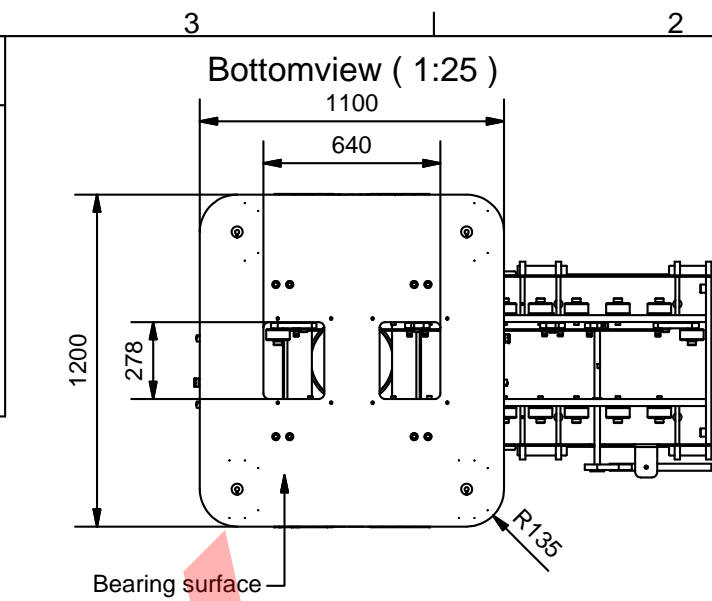
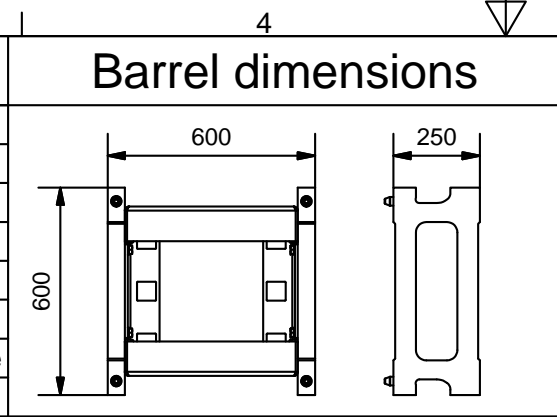
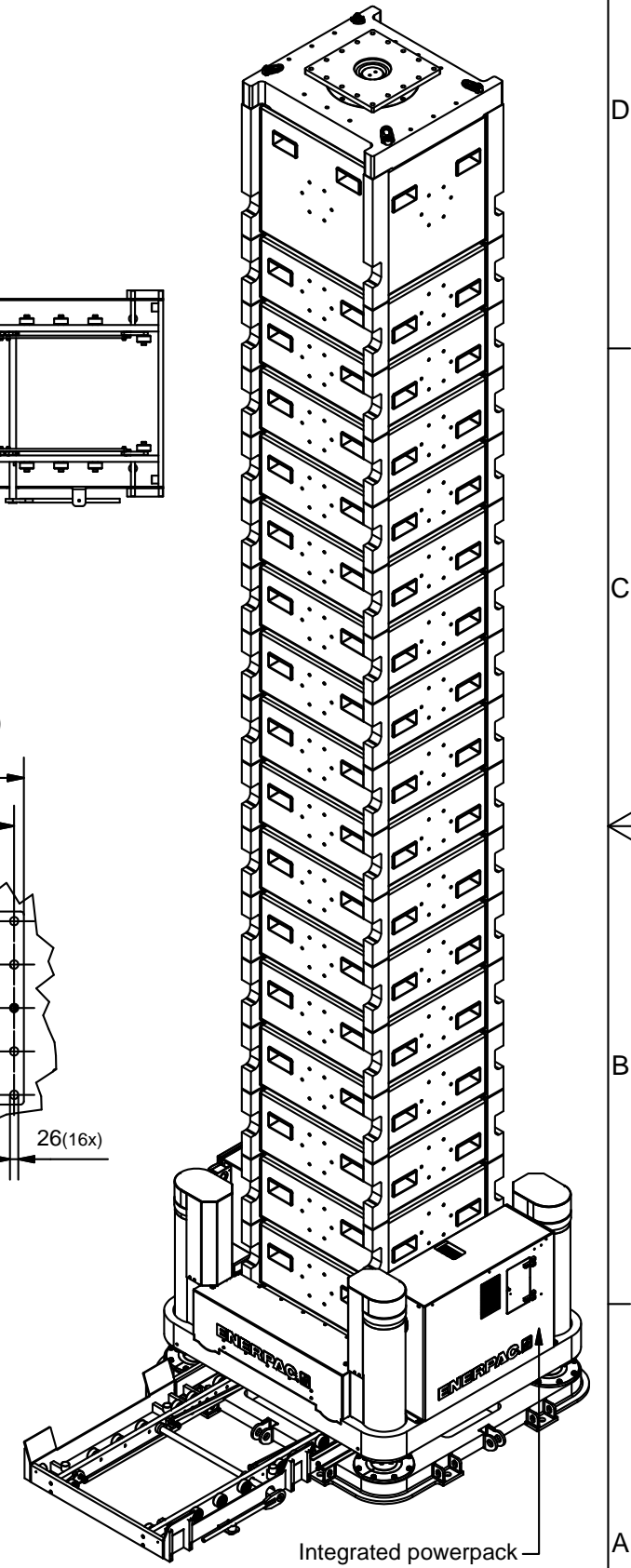
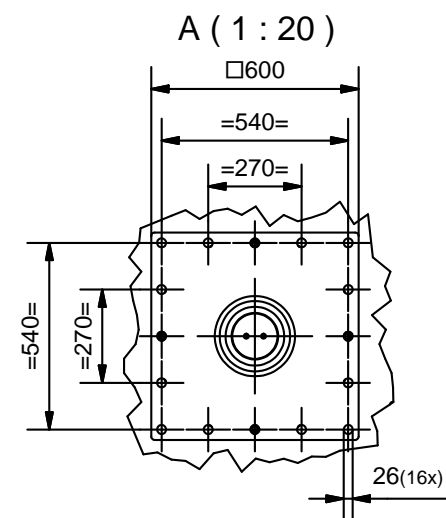
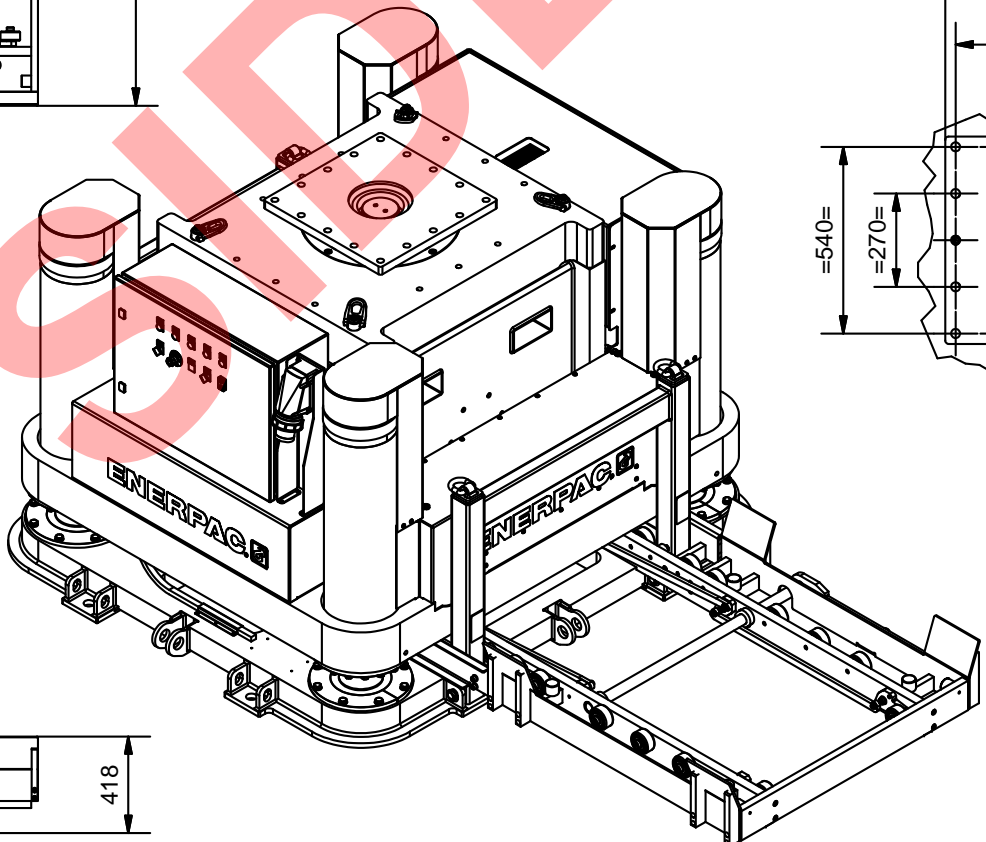
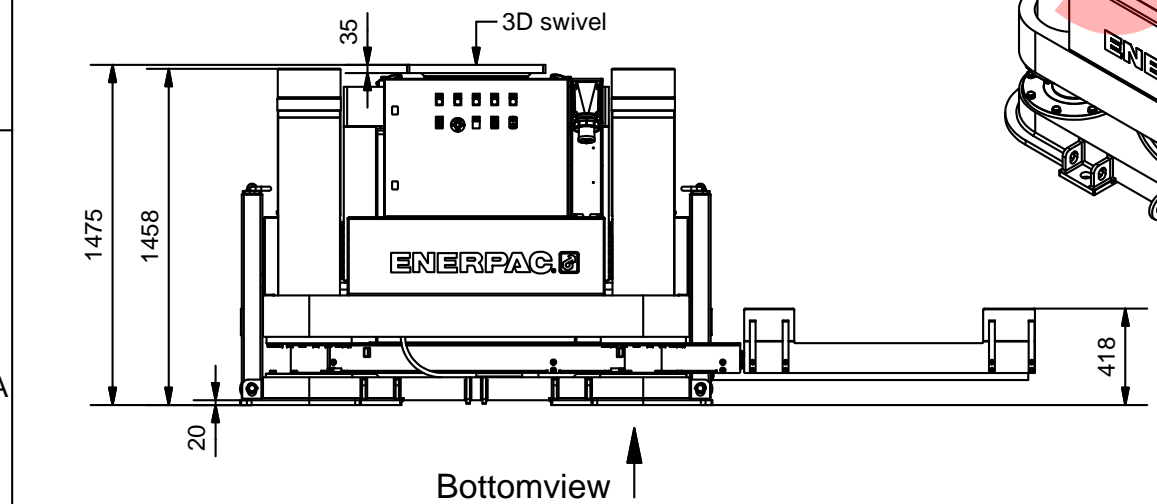
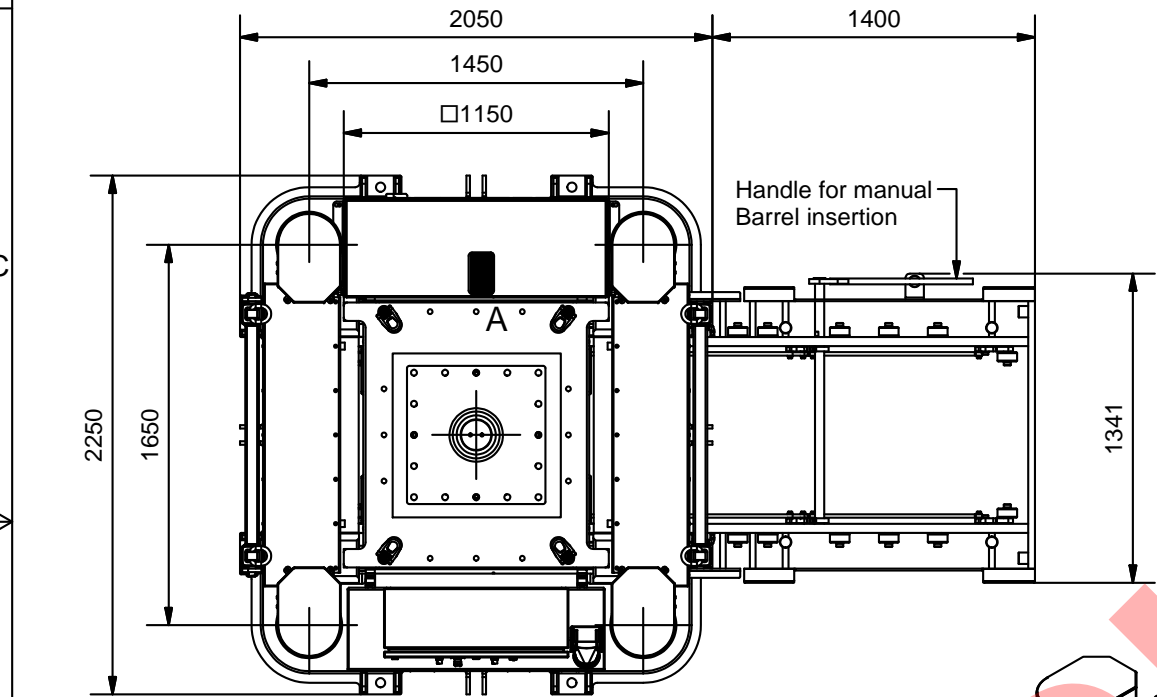
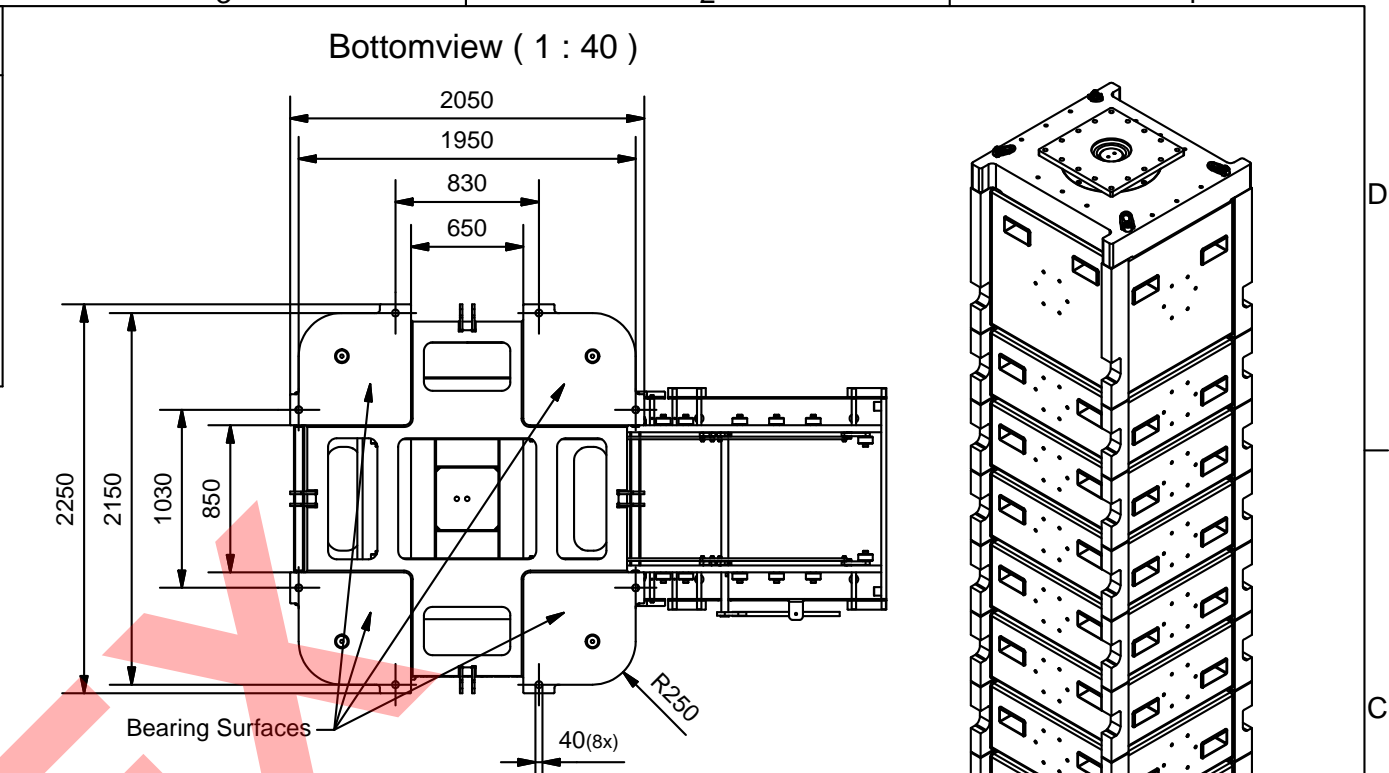
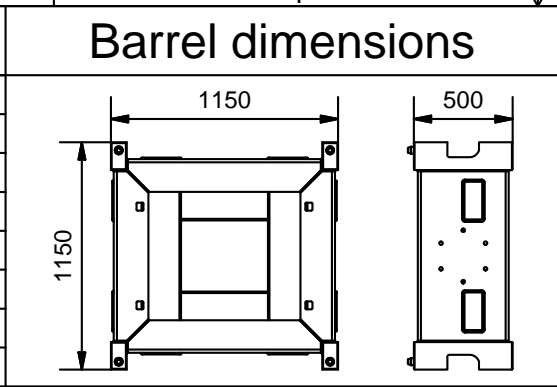


Features JS125	
Capacity @ 6m height:	1250 kN with max. 3% sload
Transportation dimensions:	LxWxH: 1200 x 1100 x 950
Selfweight excluding Barrels:	2200 kg
Selfweight Barrel:	100 kg
Selfweight End Barrel:	540 kg
Barrel insertion:	Manual
Powerpack:	4 x 2.2 kW electric, integrated in frame
Dimensions in mm	



OPAALSTRAAT 44, 7554 TS HENGELO HOLLAND PO BOX 421, 7550 AK HENGELO HOLLAND TELEPHONE 074-2422045 FACSIMILE 074-2430338 ENERPAC <small>COPYRIGHTS RESERVED</small>		3rd ANGLE PROJECTION Model Number: JS125 Drawing Number: 03606.50.00.00	Main Assembly Number: 03606.01.00.00 REV: A DATE: 15-06-16 SCALE: 1:15 FORM: A3
---	--	---	---

Features JS250	
Capacity @ 10m height:	2500 kN with max. 3% sload
Transportation dimensions:	LxWxH: 2250 x 2050 x 1475
Selfweight excluding Barrels:	7500 kg
Selfweight Barrel:	360 kg
Selfweight End Barrel:	2400 kg
Barrel insertion:	Manual
Powerpack:	15 kW electric, integrated in frame
Dimensions in mm	



OPAAI STRAAT 44, 7554 TS HENGELO HOLLAND
 PO BOX 421, 7550 AK HENGELO HOLLAND
 TELEPHONE 074-2422045 FACSIMILE 074-2430338

ENERPAC
 COPYRIGHTS RESERVED

3rd ANGLE PROJECTION

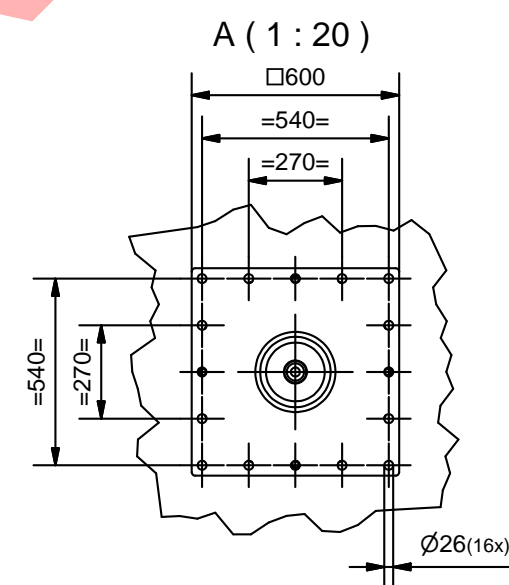
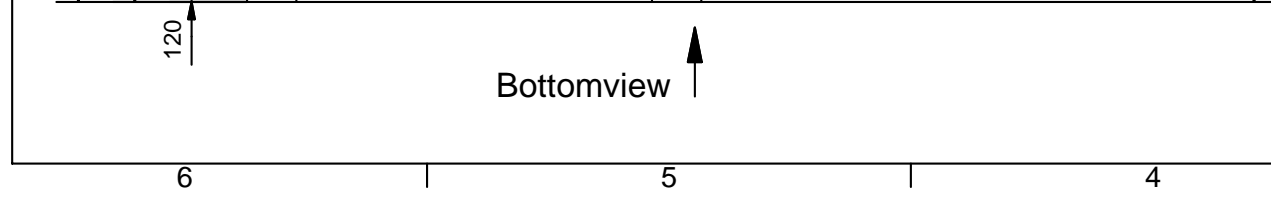
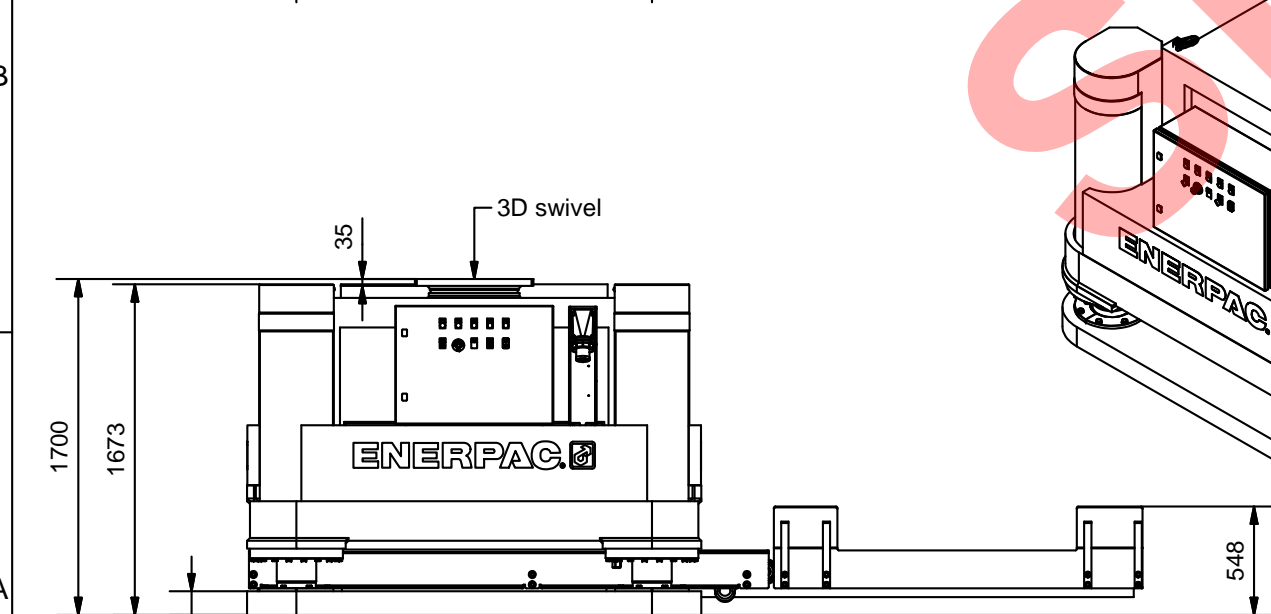
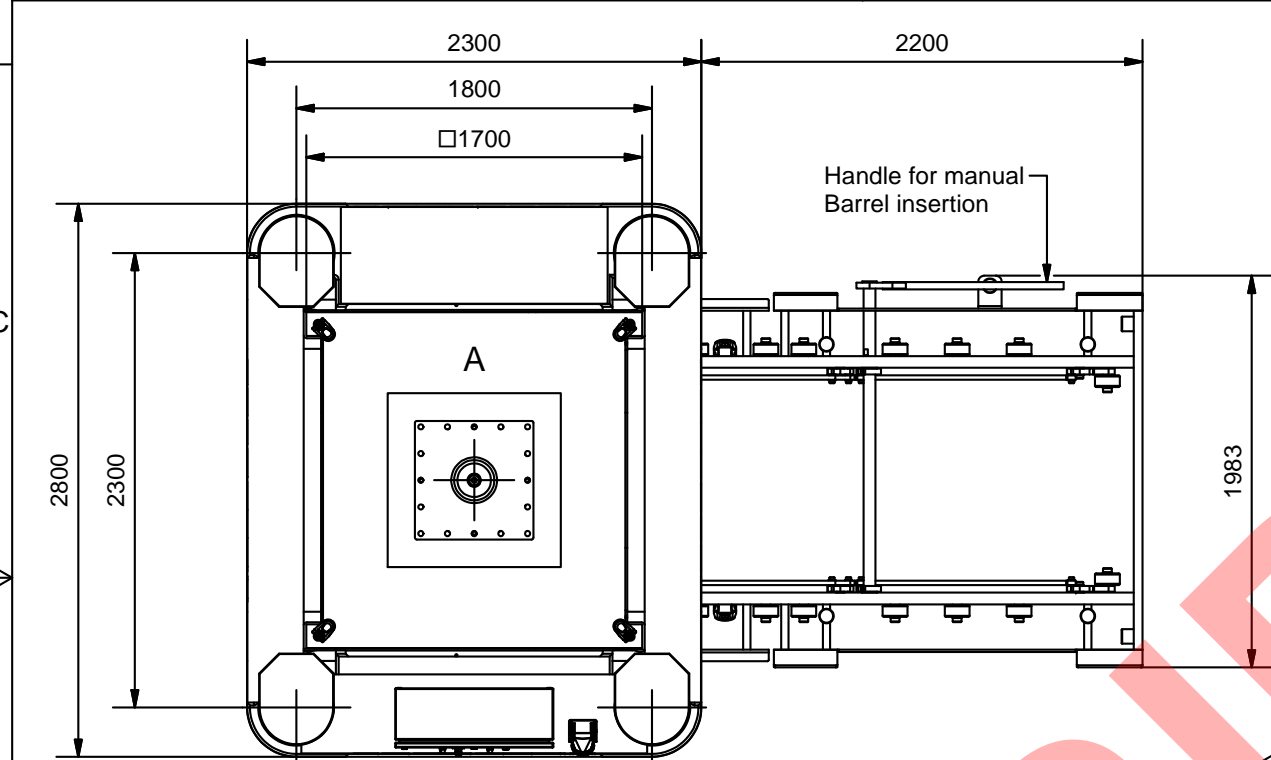
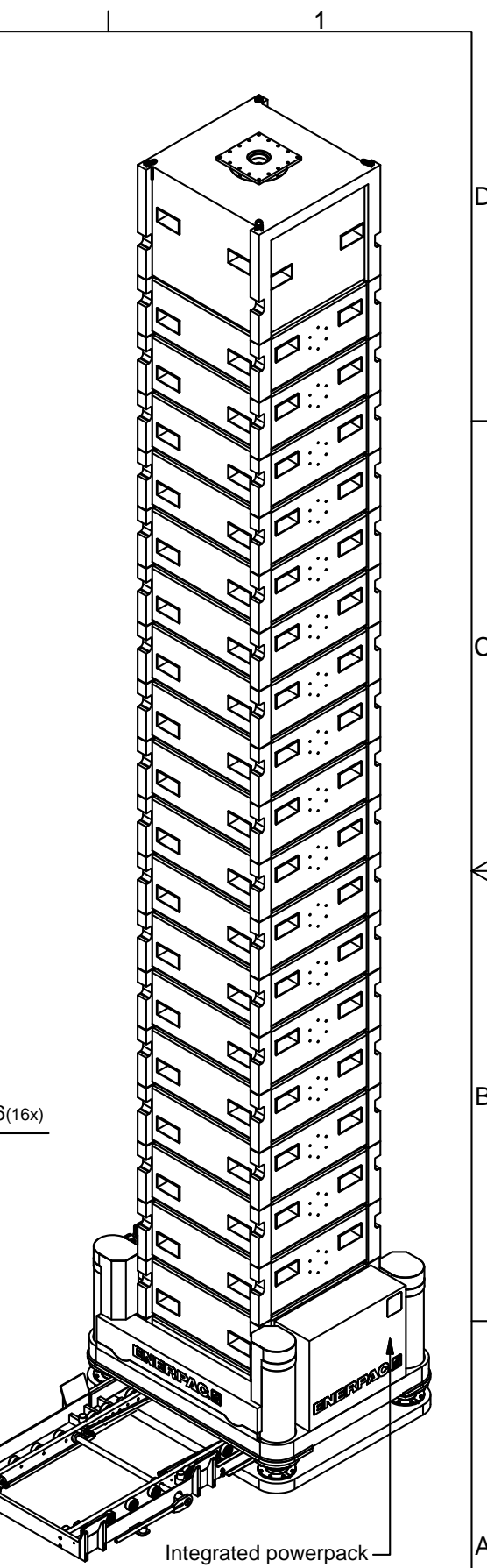
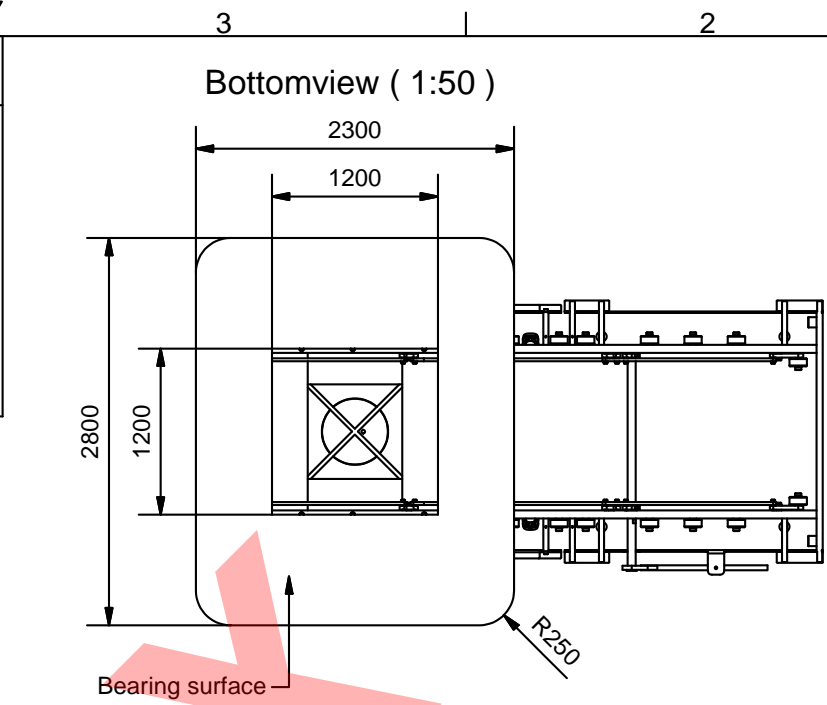
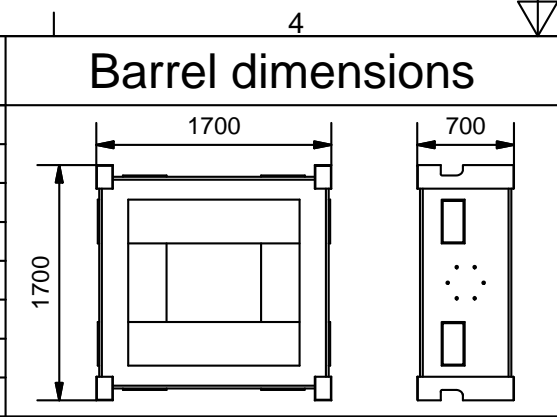
Model Number: **JS250**

Drawing Number: **03576.50.00.00**

Main Assembly Number: **03576.01.00.00**

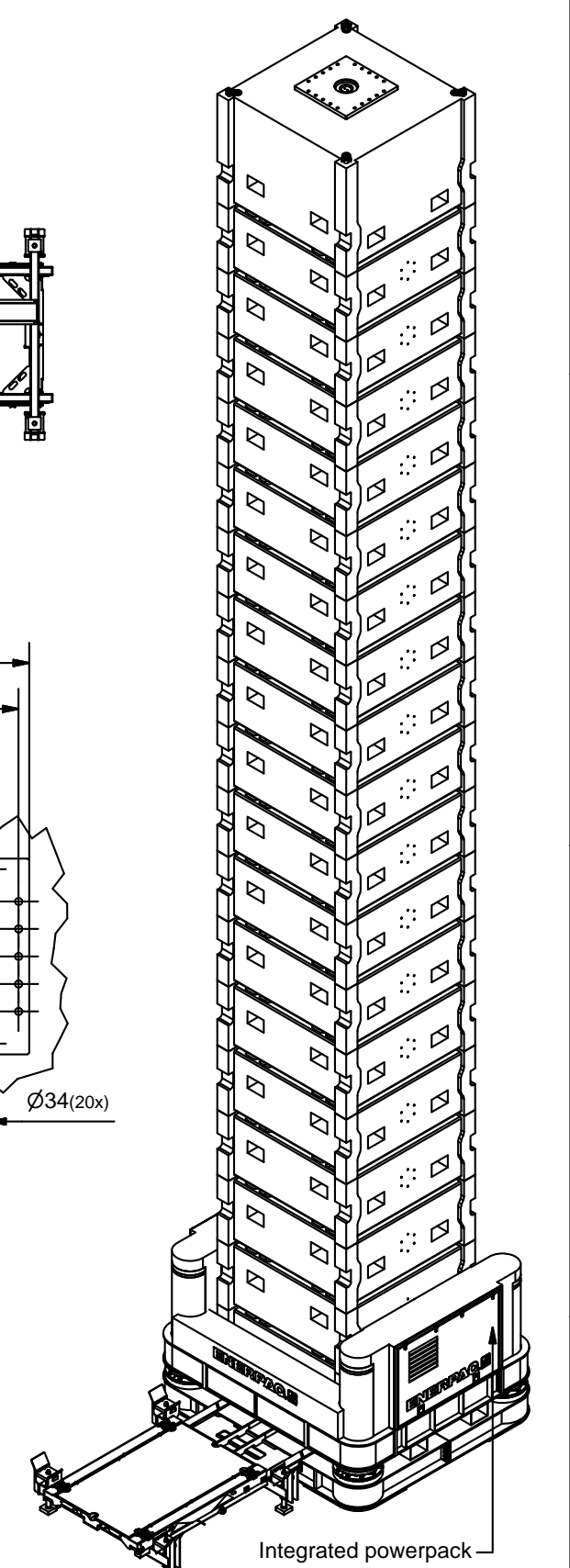
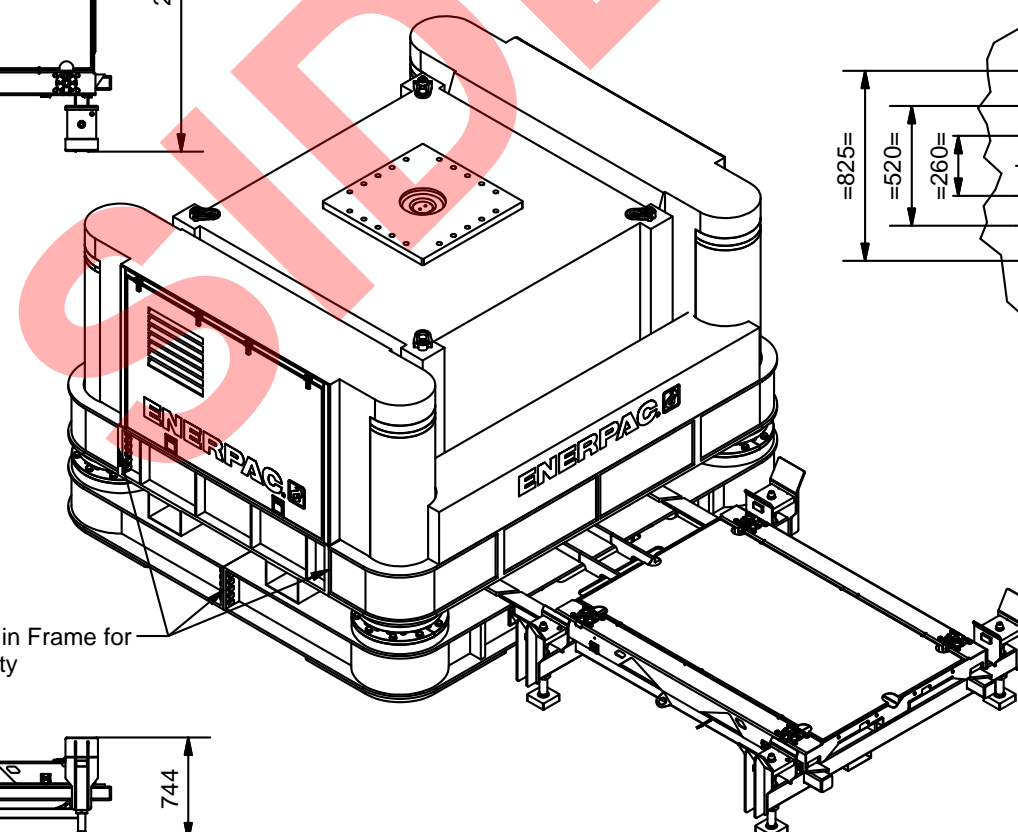
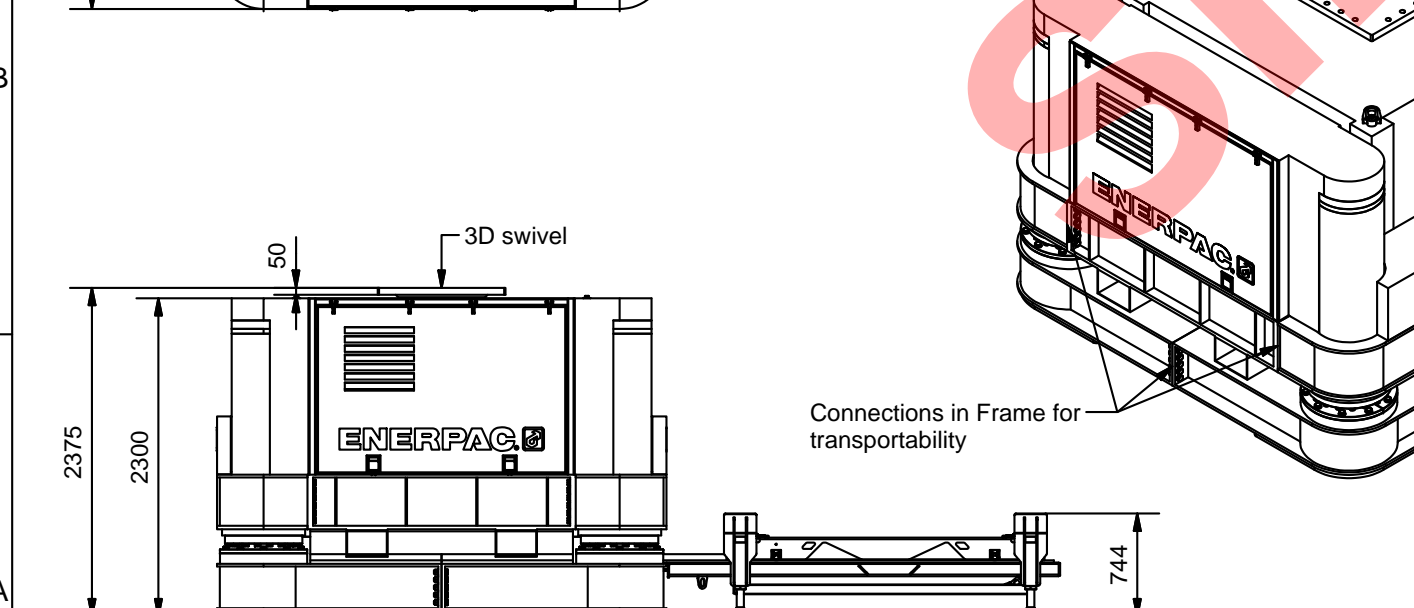
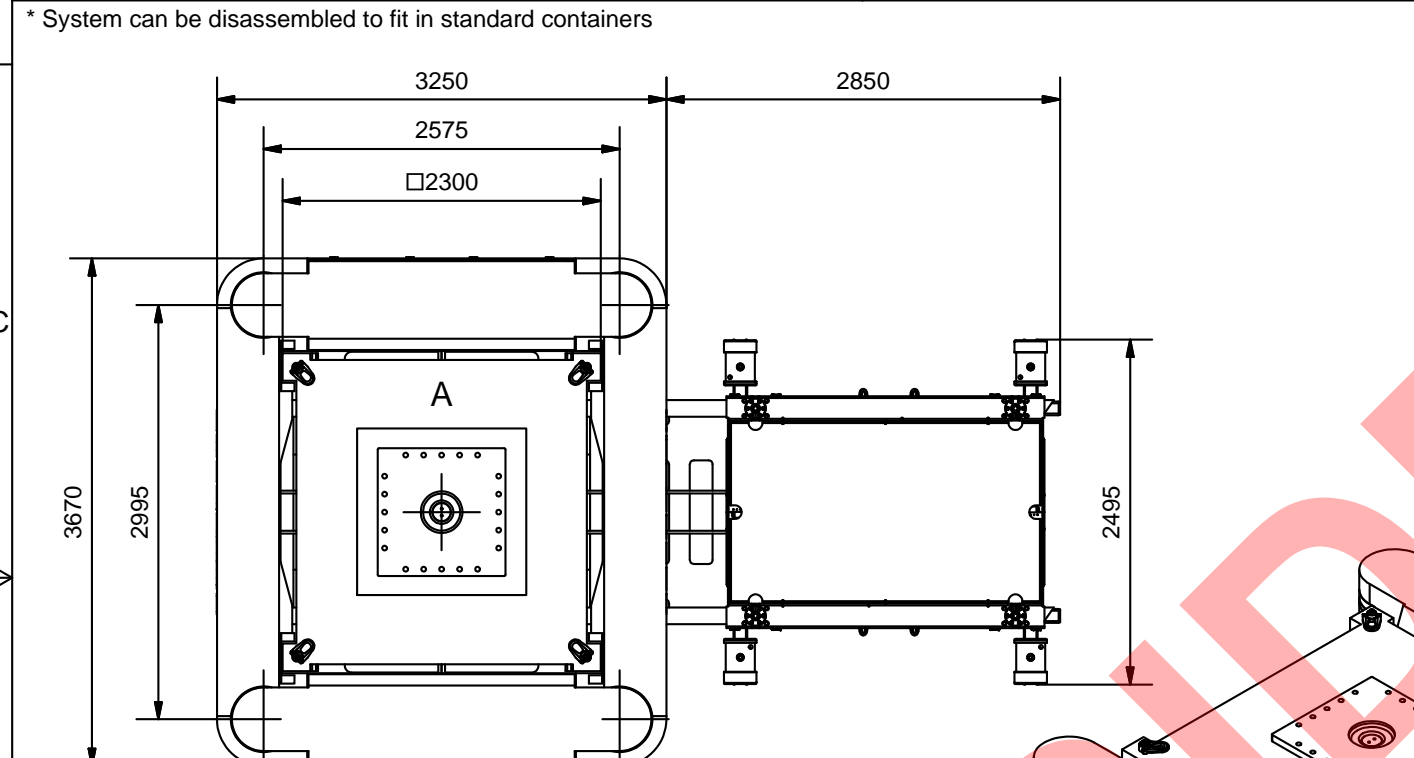
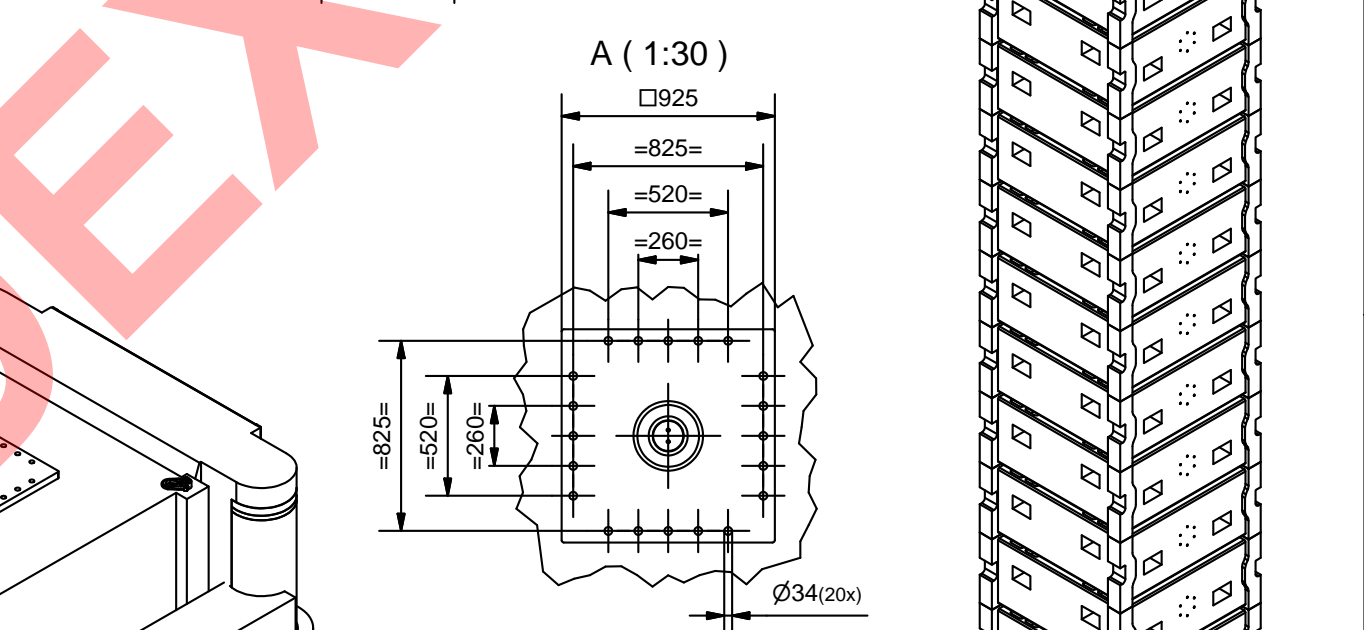
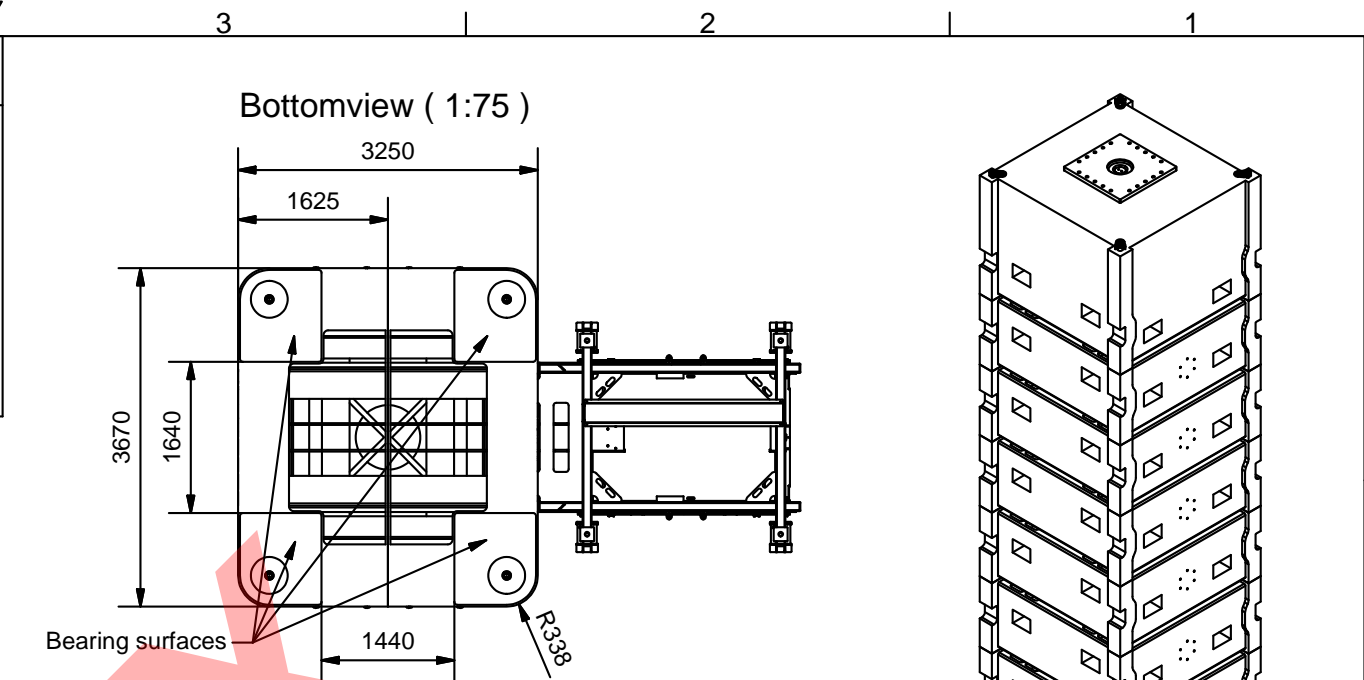
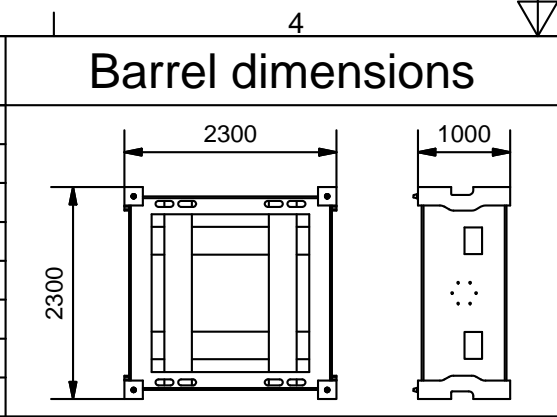
REV: **A** DATE: **16-06-16** SCALE: **1:30** FORM: **A3**

Features JS500	
Capacity @ 15m height:	5000 kN with max. 4% sload
Transportation dimensions:	LxWxH: 2800 x 2300 x 1700
Selfweight excluding Barrels:	13000 kg
Selfweight Barrel:	1000 kg
Selfweight End Barrel:	5600 kg
Barrel insertion:	Manual
Powerpack:	22 kW electric, integrated in frame
Dimensions in mm	



OPAALSTRAAT 44, 7554 TS HENGELO HOLLAND PO BOX 421, 7550 AK HENGELO HOLLAND TELEPHONE 074-2422045 FACSIMILE 074-2430338 ENERPAC <small>COPYRIGHTS RESERVED</small>	3rd ANGLE PROJECTION	Model Number: JS500	Main Assembly Number: 03612.01.00.00
		Drawing Number: 03612.50.00.00	REV.: A DATE: 14-06-16 SCALE: 1:35 FORM: A3

Features JS750	
Capacity @ 20m height:	7500 kN with max. 5% sildeload
Transportation dimensions:	LxWxH: 3670 x 1625 x 2300 (*)
Selfweight excluding Barrels:	24000 kg
Selfweight Barrel:	2350 kg
Selfweight End Barrel:	9000 kg
Barrel insertion:	Automatic, chain driven
Powerpack:	22 kW electric, integrated in frame
Dimensions in mm	



OPAALSTRAAT 44, 7554 TS HENGELO HOLLAND PO BOX 421, 7550 AK HENGELO HOLLAND TELEPHONE 074-2422045 FACSIMILE 074-2430338 ENERPAC <small>COPYRIGHTS RESERVED</small>	3rd ANGLE PROJECTION	Model Number: JS750	Main Assembly Number: 03614.01.00.00
		Drawing Number: 03614.50.00.00	REV.: 0 DATE: 14-06-16 SCALE: 1:50 FORM: A3