

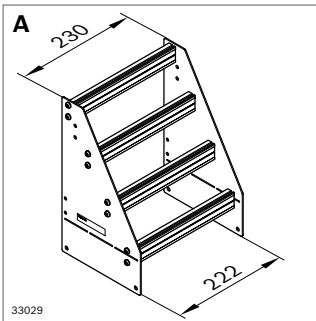
New additions catalog MPS 2017

1.0

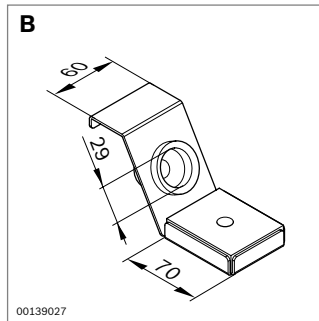




00120954



33029



00139027

Tool shelf Tool holder

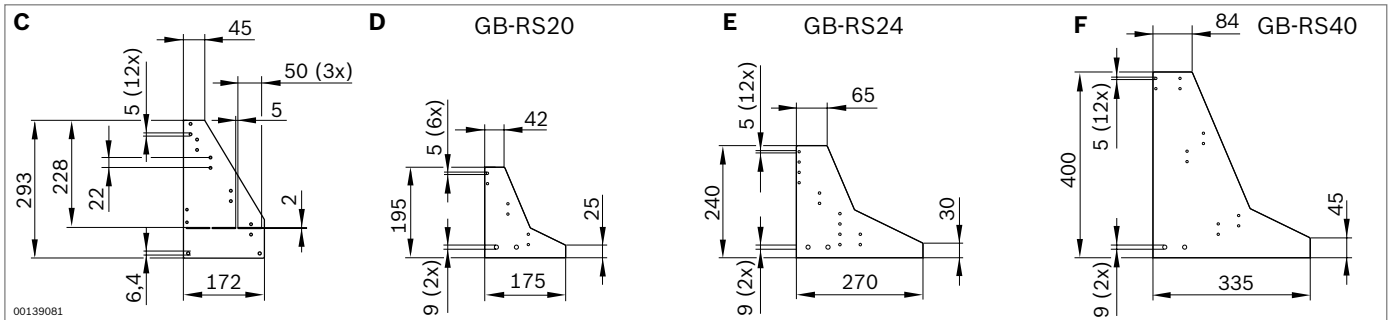
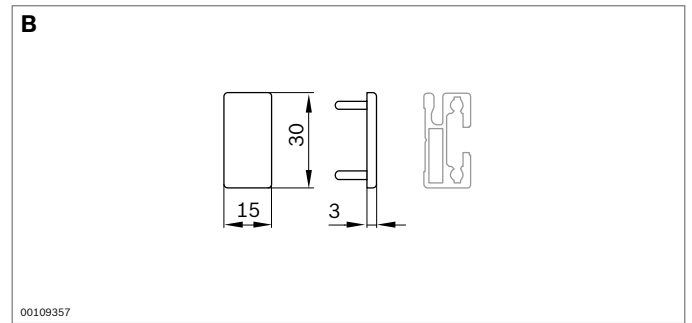
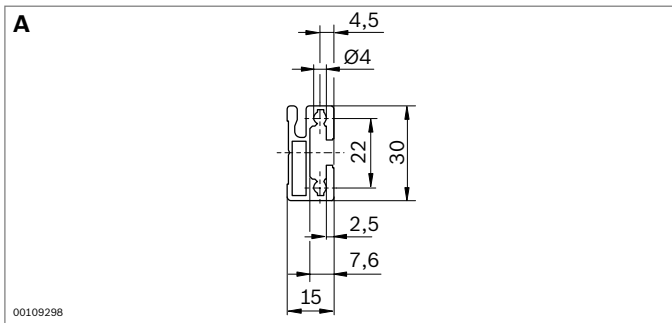
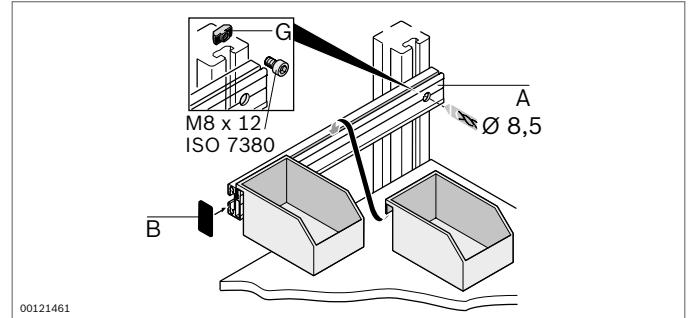
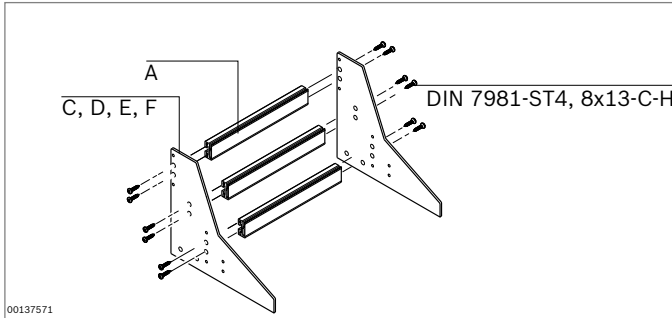


- ▶ Tool shelf available with a fixed width of 230 mm
- ▶ For ergonomic and handy positioning of tools at the workstation
- ▶ Tool holder (B) is hung in the tool shelf (A).
- ▶ Customized assembly of individual components: see "Components" chapter (see p. 160)

Material **B**: VA

| | ESD No. |
|-------------------------------------------|-----------------|
| A Tool shelf (without tool holder) | ⚡ 3 842 554 909 |
| B Tool holder for soldering irons | ⚡ 3 842 514 524 |

Grab container assembly element
Tool shelf assembly element
Suspension profile



| | L (mm) | | | ESD | No. |
|----------------------------------------------------------------------------------------|------------|----|-----|-----|------------------------|
| A Suspension profile; material: aluminum, anodized | 30 ...3000 | 1 | | | 3 842 993 411/L |
| | 3000 | 10 | | | 3 842 537 679 |
| Suspension profile; material: Aluminum, chromated | 30 ...3000 | 1 | | | 3 842 993 359/L |
| | 3000 | 10 | | | 3 842 537 681 |
| B Cap, suspension profile | | | 20 | | 3 842 338 990 |
| C Side plate for tool shelf (2 each); material: Sheet aluminum | | | Set | | 3 842 553 996 |
| D Side plate for grab container rack GB-RS24 (2 each); material: Sheet aluminum | | | Set | | 3 842 517 399 |
| E Side plate for grab container rack GB-RS24 (2 each); material: Sheet aluminum | | | Set | | 3 842 517 400 |
| F Side plate for grab container rack GB-RS40 (2 each); material: Sheet aluminum | | | Set | | 3 842 517 401 |
| G T-nut, 10 mm slot, M8 | | | 100 | | 3 842 530 287 |



20377



20382



20381

Accessories



Foot support (A)

- ▶ For Dynamic-PU, Dynamic synthetic leather, Dynamic textile and Dynamic-ESD swivel work chairs with a seat height above 650 mm. According to DIN 68 877, work chairs with a seat height above 650 mm must be equipped with a foot support.
- ▶ Retractable
- ▶ Adjustable height
- ▶ Non-slip surface

Circular footrest (B)

- ▶ For all swivel work chairs
- ▶ For secure mounting and a low-fatigue, ergonomic sitting posture
- ▶ Adjustable height

Armrests (C)

- ▶ For Dynamic PU, Dynamic synthetic leather, Dynamic textile and Dynamic ESD

| | | ESD | No. |
|----------------------------|-----|-----|----------------------|
| A Foot support | | | 3 842 546 772 |
| | | | 3 842 546 775 |
| B Circular footrest | | | 3 842 546 773 |
| C Armrests | Set | | 3 842 557 271 |
| | Set | | 3 842 557 272 |

Workstation lighting

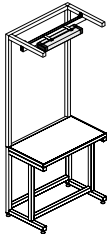
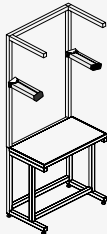
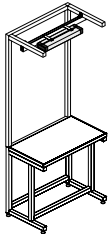
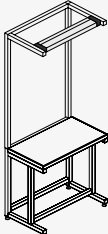
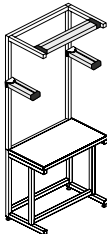
The right lighting, adapted to the activity at the workstation, is a basic prerequisite for high efficiency and processing quality. Optimum lighting prevents fatigue, improves concentration, and performance, and reduces the number of errors.

In addition to climate, noise, mechanical vibrations, and hazardous substances, lighting is another environmental factor that must be taken into consideration.

Important aspects for planning workstation lighting include:

- ▶ Avoiding strong contrasts
- ▶ Avoiding glare and reflection

DIN EN 12 464 or the table below contain the required mid-range lighting strengths.

| The right Rexroth system light for every task | | | | | | |
|--------------------------------------------------------------------------------------------------------------------------------------------------------|------------------------------------------------|------------------------------------------------------------------------------------|-------------------------------------------------------------------------------------|--------------------------------------------------------------------------------------|--------------------------------------------------------------------------------------|--------------------------------------------------------------------------------------|
| Calculation example for work top lighting | | | | | | |
| Rexroth SL 78 (nominal lighting strength) 681 Lux (with distance lamp-table top = 1.25 m) + ambient light 300 lux = work top lighting 800 Lux | | | | | | |
| | |  |  |  |  |  |
| Tasks | Required lighting strength (Lux) ¹⁾ | Rexroth SL 48 | Rexroth SL 36 Duo / SL 15 LED Duo | Rexroth SL 20 LED | Rexroth SL 78 / SL 30 LED | Rexroth SL 78 + SL 36 Duo / SL 30 LED + SL 15 LED Duo |
| Rough and average machine and assembly tasks such as turning, milling, and planing | 300 | ■ 1) | ■ 1) | ■ 1) | | |
| Fine machine tasks with permissible deviations | 500 | ■■■■ 1) | ■ 1) | ■ 1) | ■ 1) | |
| Fine assembly tasks, e.g. telephones, winding medium-sized coils, marking, inspection, and measuring stations | 750 | | ■■■■ 1) | ■■■■ 1) | ■ 1) | ■ 1) |
| Very fine assembly, e.g. measuring instruments, assembly of tools, gages, and equipment, precision mechanics and micromechanics | 1000 | | | | ■■■■ 1) | ■ 1) |
| Assembly, inspection, and adjustment of extremely small parts | 1500 | | | | | ■■■■ 1) |

¹⁾ Distance between the table top and lamp: 1.25 m

■ Lamp lighting strength sufficient for task

■■■■ Lamp lighting strength + ambient light (300 lux) sufficient for task

See technical data (see page 183)

Rexroth's system lamp range provides glare and flicker-free light of the highest quality. You can operate the lamps as required for the job at hand either individually or in combination with one another.

This allows you to provide your workstations with uniform illumination of outstanding quality. The lamps can be switched on and off when plugged into a socket with a power switch.

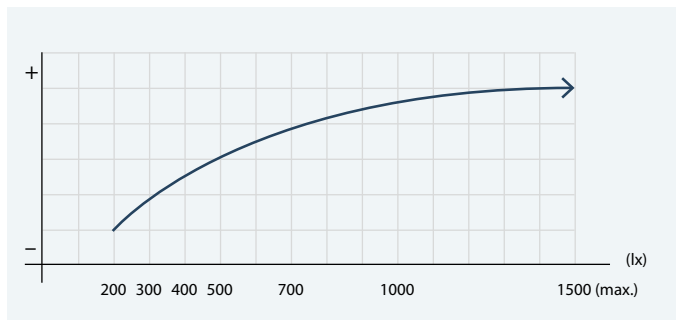
The lamps can be connected in series using the connection cables. The ready-to-use connection and mains cables allow you to install the lamps yourself without needing an electrician. The lamps are suitable for use at ESD workstations.

Lighting on a new level: LED system lamps

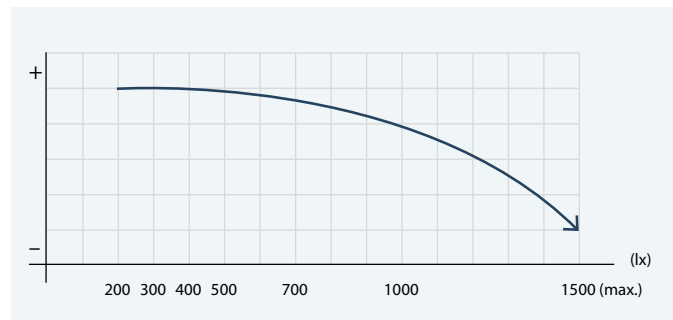
The design of the LED lamps sets itself apart by combining parabolic louvers and diffuser foil.

The use of LEDs as the illuminant makes possible low energy consumption, long life, and maintenance-free lamps. Staff members can adjust the lighting strength that they need to match their age using a controller. Using this controller, it is possible to dim the lighting strength.

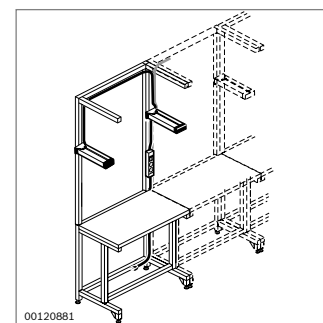
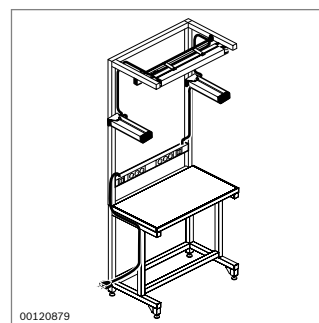
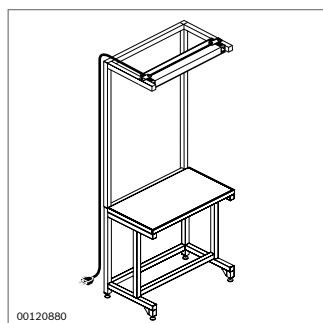
Increased efficiency with Rexroth system lamps



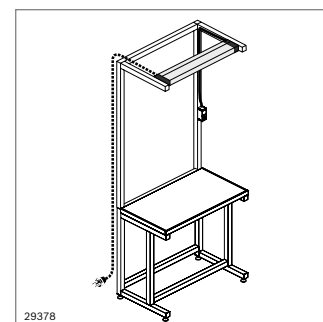
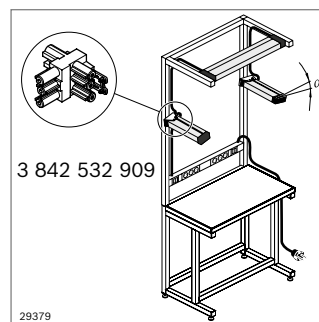
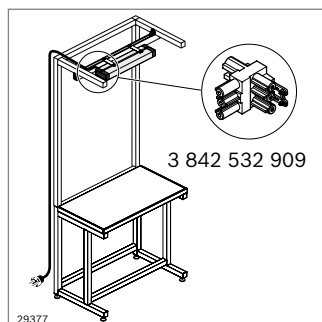
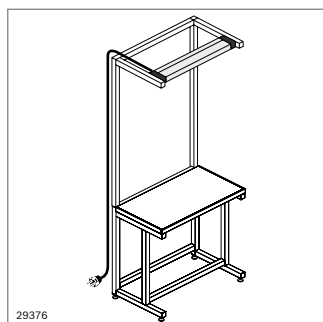
Reduction of errors with Rexroth system lamps

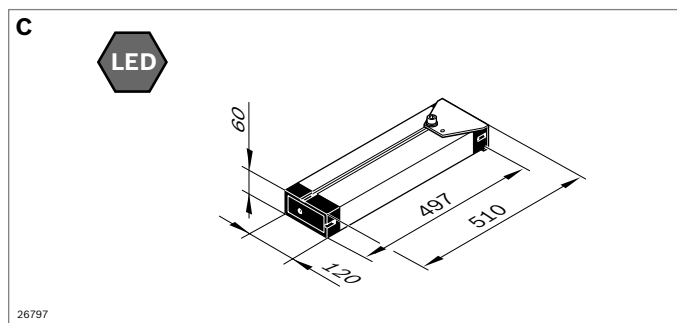
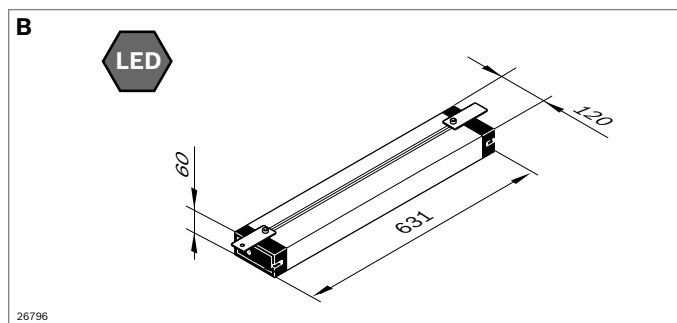
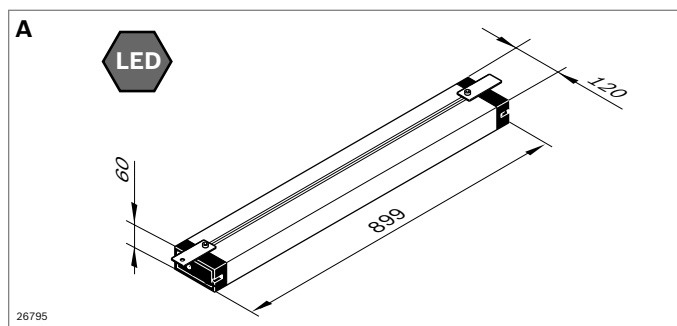


Conventional lamps



LED lamps (Fig. 4 including controller)





LED system lamps



- ▶ Glare-free light thanks to the combination of a parabolic louver and diffuser foil
- ▶ 60% energy savings compared to conventional workstation lighting
- ▶ Color temperature: 5000 K
- ▶ With GST connecting socket (black = 230 V; blue = dimming)
- ▶ Service life: 60,000 h
- ▶ Suitable for use at ESD workstations
- ▶ SL 30 LED: Attached to a strut extension (workstations with B = 990 mm) or to a hanger (workstations with B ≠ 990 mm)
- ▶ SL 20 LED: Mounting to a hanger
- ▶ SL 15 LED: Mounting to the vertical strut or the strut extension

Protection class: IP 20 (DIN EN IEC 60529)

Housing material: aluminum, anodized

Scope of delivery: Includes fastening kit (10 mm slot)

Required accessories: Mains cable or connecting cable (see p. 52)

Optional accessories:

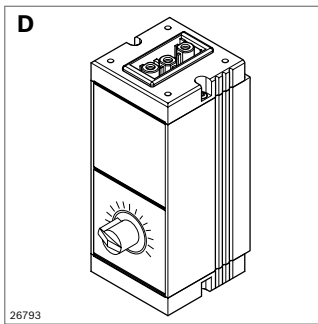
Controller **(D)** (see p. 43);

DIM **(E)** connecting cable (see p. 43);

H distributor POWER (230 V) **(F)** (see p. 43)

| | | | Fluorescent tubes | Service life (h) | Voltage | Weight (kg) | No. |
|---|--------|-----------------------|-------------------|------------------|------------------------|-------------|---------------|
| A | LED 30 | EU ¹⁾ | LED/30 W | 60 000 | 220-240 V/50 Hz; 60 Hz | 3.2 | 3 842 552 220 |
| | | USA/CDN ²⁾ | LED/30 W | 60 000 | 120-277 V/50 Hz; 60 Hz | 3.2 | 3 842 555 626 |
| B | LED 20 | EU ¹⁾ | LED/20 W | 60 000 | 220-240 V/50 Hz; 60 Hz | 2.4 | 3 842 552 222 |
| | | USA/CDN ²⁾ | LED/20 W | 60 000 | 120-277 V/50 Hz; 60 Hz | 2.4 | 3 842 555 627 |
| C | LED 15 | EU ¹⁾ | LED/15 W | 60 000 | 220-240 V/50 Hz; 60 Hz | 2.0 | 3 842 552 224 |
| | | USA/CDN ²⁾ | LED/15 W | 60 000 | 120-277 V/50 Hz; 60 Hz | 2.0 | 3 842 555 628 |

¹⁾ Test marks of VDE, ENEC; ²⁾ Test marks of UL, CSA, FCC

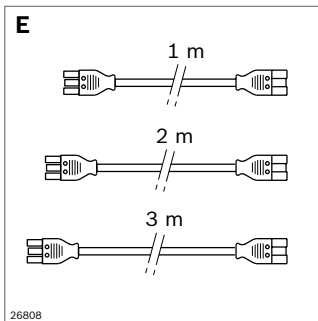


Controller (D)

- ▶ By turning the rotary button, you can dim the lighting strength of the LED system lamps

Required accessories: DIM (E) connecting cable

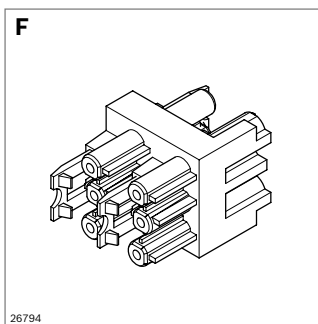
| | No. |
|--------------|----------------------|
| D Controller | 3 842 552 226 |



DIM (E) connecting cable

- ▶ For wiring the controller to the system lamps
- ▶ Safe Plug & Play installation available in different lengths
- ▶ Color of plug: blue
Color of cable: black

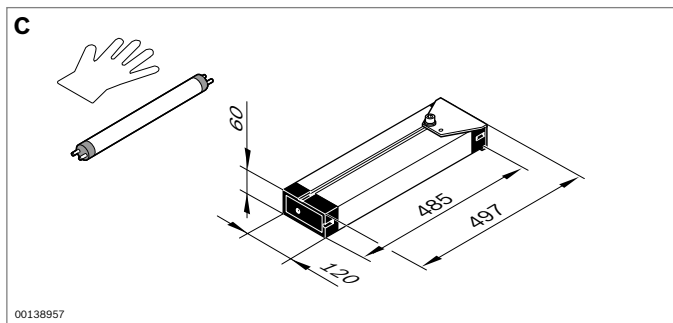
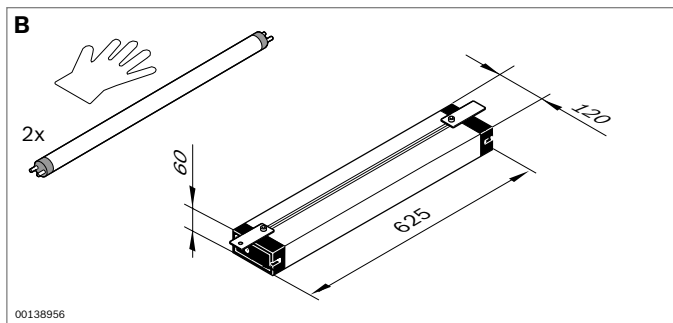
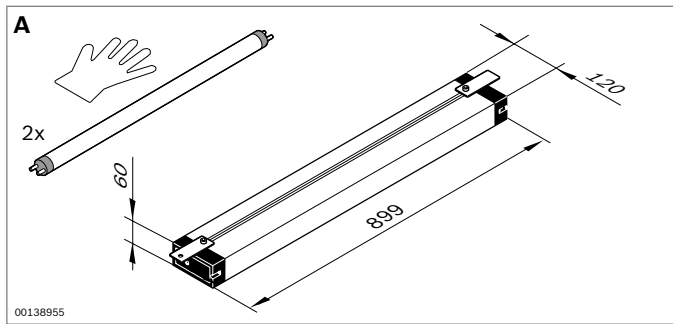
| | | L (m) | | No. |
|------------------------|----|-------|---|----------------------|
| E Connection cable DIM | EU | 1 | 1 | 3 842 553 139 |
| | EU | 2 | 1 | 3 842 553 140 |
| | EU | 3 | 1 | 3 842 553 141 |



POWER H-distributor (230 V) (F)

- ▶ For connecting up to three lamps to one mains connection
- ▶ Compatible with 40x40 or 45x45 cable duct (see MGE 13.0 page 11-2)
- ▶ Color: black

| | | | No. |
|-------------------------------|--|---|----------------------|
| F POWER H-distributor (230 V) | | 1 | 3 842 553 142 |



System lamps



Electronic

- ▶ Glare-free light of the highest quality (quality class A according to DIN 5035-T2); color temperature: 4000 K
- ▶ With electronic lamp ballast for flicker-free light (> 25 kHz)
- ▶ With three GST outlet sockets for looping through the electrical current
- ▶ Very inexpensive to operate (low power consumption, long life)
- ▶ Low weight
- ▶ Suitable for use at ESD workstations
- ▶ SL 78 electronic: Attached to a strut extension (workstations with B = 990 mm) or to a hanger (workstations with B ≠ 990 mm)
- ▶ SL 48 electronic: Mounting to a hanger
- ▶ SL 36 electronic: Mounting to the vertical strut of the strut extension

Protection class: IP 20 (DIN EN IEC 60529)

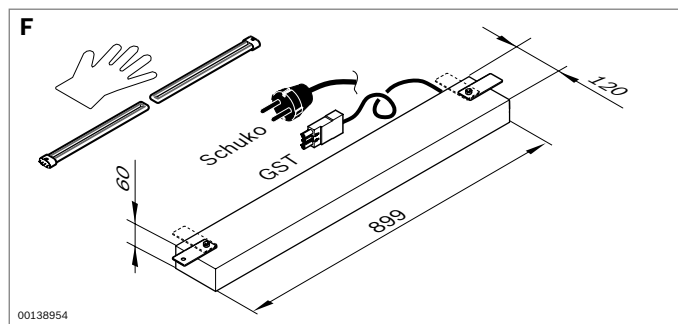
Housing material: aluminum, anodized

Scope of delivery: Includes fluorescent tubes and insulating fastening kit (10 mm slot)

Required accessories: Mains cable or connecting cable, if necessary (see p. 52)

| | | Fluorescent tubes | Service life (h) | Voltage | Weight (kg) | No. |
|----------|------------------|------------------------------------|------------------|----------------------------|-------------|----------------------|
| A | SL 78 electronic | EU ¹⁾ 2x T5-L 39 W | 18 000 | 220-240 V/ 50 Hz; 60 Hz | 2.8 | 3 842 537 343 |
| | | USA/CDN ²⁾ 2x T5-L 39 W | 18 000 | 120-277 V/ 50 Hz; 60 Hz | 2.8 | 3 842 537 345 |
| B | SL 48 electronic | EU ¹⁾ 2x T5-L 24 W | 18 000 | 220-240 V/ 50 Hz; 60 Hz | 2.3 | 3 842 537 347 |
| | | USA/CDN ²⁾ 2x T5-L 24 W | 18 000 | 120-277 V/ 50 Hz; 60 Hz | 2.3 | 3 842 537 349 |
| C | SL 36 electronic | EU ¹⁾ 1x TC-L 36 W | 18 000 | 220-240 V/ 50 Hz; 60 Hz | 1.6 | 3 842 516 713 |
| | | USA/CDN ²⁾ 1x TC-L 36 W | 18 000 | 120-277 V/ 50 Hz; 60 Hz | 1.6 | 3 842 537 351 |

¹⁾ Test marks of VDE, ENEC; ²⁾ Test marks of UL, CSA, FCC

**Economic**

- ▶ Glare-free light of the highest quality (quality class A according to DIN 5035-T2)
- ▶ Very inexpensive
- ▶ Suitable for use at ESD workstations
- ▶ With mains cable (4 m) with grounded or GST plug
- ▶ Attached to a strut extension (workstations with B = 990 mm) or to a hanger (workstations with B ≠ 990 mm)

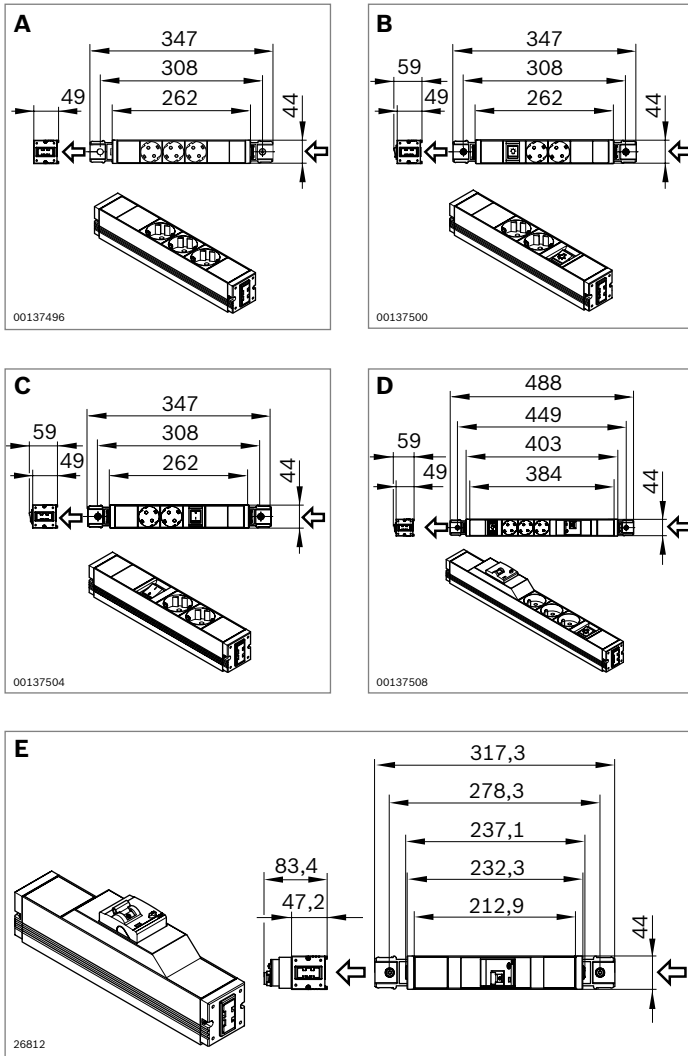
Protection class: IP 20 (IEC 529)

Housing material: Sheet steel; powder-coated, dusty gray, RAL 7037

Scope of delivery: Includes fluorescent tubes and insulating fastening kit (10 mm slot)

| | | Fluorescent tubes | Service life (h) | Voltage | Weight (kg) | No. |
|-----------------------------------|-----------------------|-------------------|------------------|----------------------------|-------------|----------------------|
| F SL 72 economic, grounded | EU ¹⁾ | 2x TC-L 36 W | 8000 | 230 V/50 Hz | 4.3 | 3 842 540 924 |
| | USA/CDN ²⁾ | 2x TC-L 36 W | 8000 | 120-277 V/ 50 Hz; 60 Hz | 4.3 | 3 842 540 033 |
| F SL 72 economic, GST | EU ¹⁾ | 2x TC-L 36 W | 8000 | 230 V/50 Hz | 4.3 | 3 842 540 925 |
| | USA/CDN ²⁾ | 2x TC-L 36 W | 8000 | 120-277 V/ 50 Hz; 60 Hz | 4.3 | 3 842 540 034 |

¹⁾ Test marks of VDE, ENEC; ²⁾ Test marks of UL, CSA, FCC



Socket strip

- ▶ Socket strip with two or three grounded plug sockets
- ▶ Socket inserts rotated 45° for space-saving arrangement with angled plugs
- ▶ With GST outlet socket including cap for looping through the electrical current
- ▶ When connecting several products in series, observe the maximum permissible current. See the table below
- ▶ Intended for permanent installation
- ▶ Only permissible in combination with installation elements from Rexroth
- ▶ Versions with switchable inlet and/or outlet and residual current device
- ▶ Suitable for use at ESD workstations
- ▶ Tripping current of RCD: 30 mA

Protection class: IP 20 (DIN EN IEC 60529)

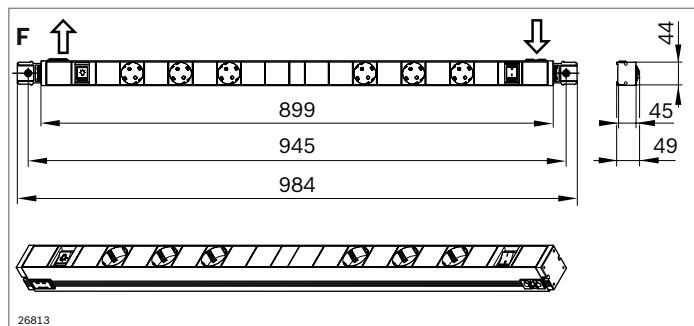
Material: Aluminum, anodized; insert: plastic, black

Scope of delivery: Includes insulating fastening kit (10 mm slot)

Required accessories: Mains cable or connecting cable, if necessary (see p. 52)

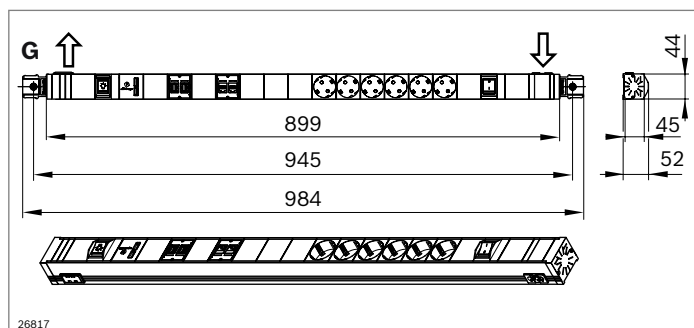
| | Country | I (A)/U (V) | No. |
|----------------------------------------------------------------------------------------------------------|-----------------------|-----------------|----------------------|
| A Socket strip | D ¹⁾ | Max. 16 A/230 V | 3 842 539 842 |
| | F ¹⁾ | Max. 16 A/230 V | 3 842 539 852 |
| | GB ¹⁾ | Max. 16 A/230 V | 3 842 539 862 |
| | USA/CDN ²⁾ | Max. 15 A/125 V | 3 842 539 880 |
| B Socket strip, switchable outlet | D ¹⁾ | Max. 16 A/230 V | 3 842 539 844 |
| | F ¹⁾ | Max. 16 A/230 V | 3 842 539 854 |
| | GB ¹⁾ | Max. 13 A/230 V | 3 842 539 864 |
| | CH ¹⁾ | Max. 10 A/230 V | 3 842 539 872 |
| C Socket strip, switchable sockets, switchable outlet | USA/CDN ²⁾ | Max. 15 A/125 V | 3 842 539 882 |
| | D ¹⁾ | Max. 16 A/230 V | 3 842 539 846 |
| | F ¹⁾ | Max. 16 A/230 V | 3 842 539 856 |
| D Socket strip, switchable outlet, current-limiting CTT-breaker $I_{\Delta n} = 30 \text{ mA}$ | GB ¹⁾ | Max. 13 A/230 V | 3 842 539 866 |
| | D ¹⁾ | Max. 16 A/230 V | 3 842 542 060 |
| E Ground fault circuit interrupter $I_{\Delta n} = 30 \text{ mA}$ | F ¹⁾ | Max. 16 A/230 V | 3 842 539 858 |
| | EU | Max. 16 A/230 V | 3 842 552 214 |

¹⁾ Test mark of VDE; ²⁾ Test marks of UL, CSA, FCC



Power strip (F)

- ▶ Power strip with six grounded plug sockets for attachment to a strut extension (workstations with B = 990 mm)
- ▶ Suitable for use at ESD workstations



Network strip (G)

- ▶ Network strip with six grounded plug sockets and USB 3.0 socket, LAN (RJ45) port and USB charger for attachment to a strut extension (workstations with B = 990 mm)
- ▶ Suitable for use at ESD workstations

Protection class: IP 20 (DIN EN IEC 60529)

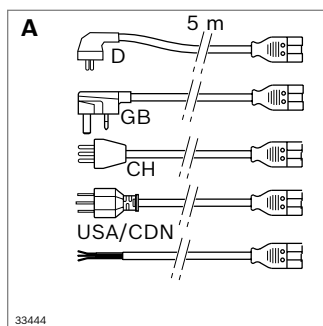
Material: Aluminum, anodized; insert: plastic, black

Scope of delivery: Includes insulating fastening kit (10 mm slot)

Required accessories: Mains cable or connecting cable, if necessary (see p. 52)

| | Country | I (A)/U (V) | No. |
|------------------------------------------------------------------|-----------------------|-----------------|----------------------|
| F Power strip, switchable socket, switchable outlet | D ¹⁾ | Max. 16 A/230 V | 3 842 539 850 |
| | F ¹⁾ | Max. 16 A/230 V | 3 842 539 860 |
| | GB ¹⁾ | Max. 13 A/230 V | 3 842 539 868 |
| | CH ¹⁾ | Max. 10 A/230 V | 3 842 539 876 |
| | USA/CDN ²⁾ | Max. 15 A/125 V | 3 842 539 884 |
| G Network strip, switchable socket, switchable outlet | D | Max. 16 A/230 V | 3 842 552 212 |

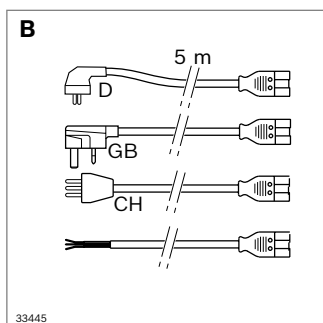
¹⁾ Test mark of VDE; ²⁾ Test marks of UL, CSA, FCC



Mains cable (A)

- ▶ For connecting system lamps, socket strips or power strips
- ▶ Ready-to-use mains cable: Available in various country versions; for simple, reliable plug-and-play installation with no specialist knowledge required
- ▶ Mains cable with one end open: For self-assembly; accessories: GST plug, GST socket

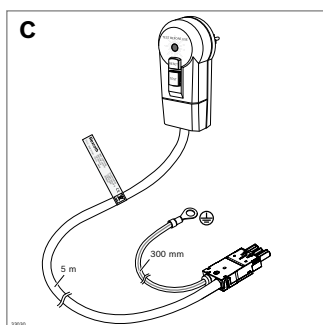
Connection cable material: PVC (H05VV-F), black



Mains cable HD (B)

- ▶ Use in moderate industrial environments
- ▶ Ready-to-use mains cable: Available in various country versions; for simple, reliable plug-and-play installation with no specialist knowledge required
- ▶ Mains cable with one end open: For self-assembly; accessories: GST plug, GST socket

Connection cable material: PUR (H07BQ-F), orange



Mains cable with RCD module and PE connection (C)

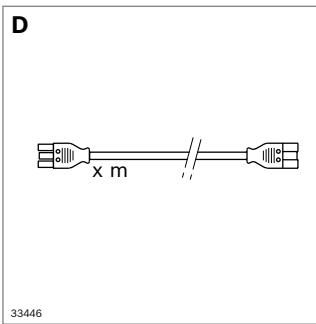
- ▶ For safe connection of workstations directly from the socket
- ▶ Ready-to-use mains cable: for simple, reliable plug-and-play installation
- ▶ Tripping current RCD module: 30 mA

Protection class: IP 20 (DIN EN IEC 60529)

Connection cable material: PVC (H07BQ-F), orange

| | Country | L (m) | | No. |
|--------------------------------------------------------|------------------------|-------|--|----------------------|
| A Mains cable | D/F ¹⁾ | 5 | | 3 842 517 045 |
| | GB ¹⁾ | 5 | | 3 842 522 585 |
| | CH ¹⁾ | 5 | | 3 842 523 910 |
| | USA/CDN ²⁾ | 5 | | 3 842 537 323 |
| | Open end ¹⁾ | 5 | | 3 842 517 201 |
| B Mains cable HD | D/F | 5 | | 3 842 554 183 |
| | GB | 5 | | 3 842 555 603 |
| | CH | 5 | | 3 842 555 605 |
| | open end | 5 | | 3 842 555 607 |
| C Mains cable with RCD module and PE connection | D/F | 5 | | 3 842 555 600 |

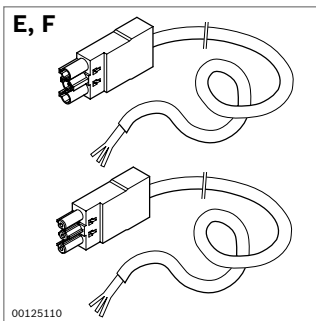
¹⁾ Test mark of VDE; ²⁾ Test marks of UL, CSA, FCC



Connection cable (D)

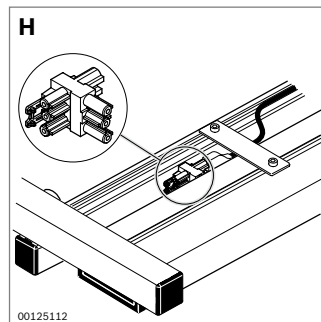
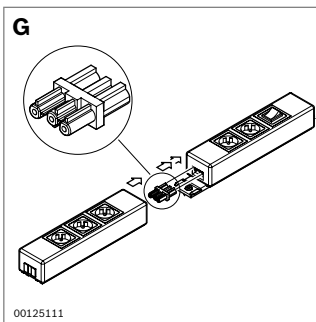
- ▶ For cable connections between system lamps, socket strips or power strips
- ▶ Ready-made in various country versions and lengths
- ▶ For simple, reliable plug-and-play installation with no electrician needed

Cable material: PVC (H05VV-F), black



GST plug, GST socket (E, F)

- ▶ For cable self-assembly
- Color: Black

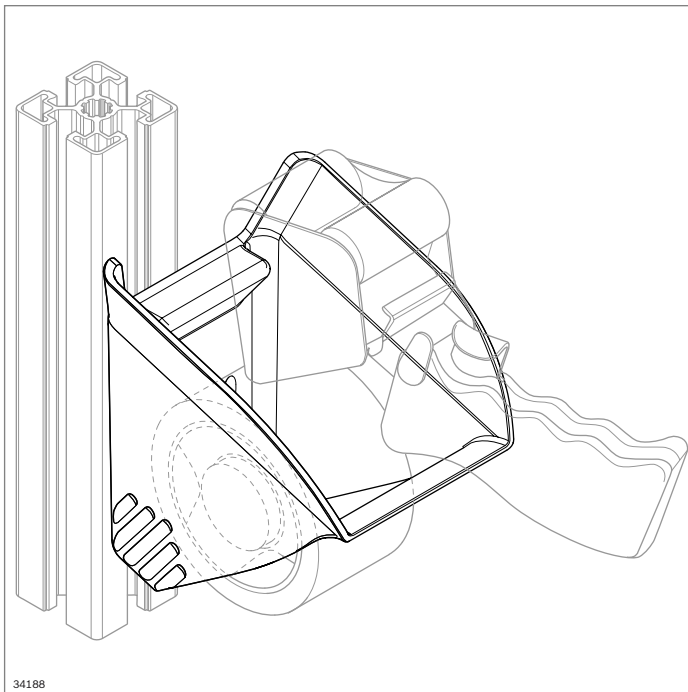


Connecting plug (G)

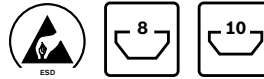
T-plug (H)

| | Country | L (m) | | No. |
|---------------------------|-----------------------|-------|----|----------------------|
| D Connection cable | EU ¹⁾ | 4 | | 3 842 537 598 |
| | | 3 | | 3 842 527 207 |
| | | 2 | | 3 842 517 047 |
| | | 1.5 | | 3 842 537 123 |
| | | 1 | | 3 842 517 049 |
| | | 0.5 | | 3 842 517 051 |
| | USA/CDN ²⁾ | 4 | | 3 842 537 599 |
| | | 3 | | 3 842 537 558 |
| | | 2 | | 3 842 537 560 |
| | | 1.5 | | 3 842 537 562 |
| | | 1 | | 3 842 537 564 |
| | | 0.5 | | 3 842 537 566 |
| E GST plug | | | 10 | 3 842 517 043 |
| F GST socket | | | 10 | 3 842 517 044 |
| G Connecting plug | | | 10 | 3 842 517 055 |
| H T-plug | | | 10 | 3 842 532 909 |

¹⁾ Test mark of VDE; ²⁾ Test marks of UL, CSA, FCC



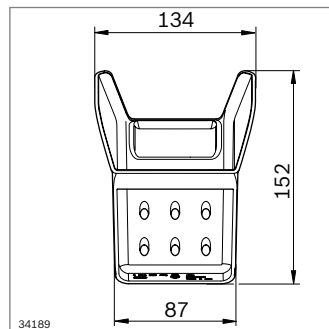
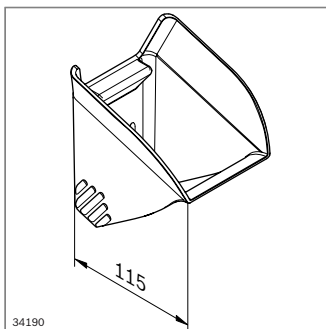
Tool holder TAPE 50 mm



- ▶ Tool holder for tape dispenser with a width of 50 mm
- ▶ Time savings of 10% to 20% based on MTM, achievable with
 - Defined place for faster reaching and picking
 - Docking aids for easy, ergonomic depositing
- ▶ Supports 5S principles for order and cleanliness at the workstation via defined, fixed place


Material: PA 6; black

Scope of delivery: Includes fastening material for fastening in 8 mm or 10 mm slots



ESD No.

Tool holder TAPE 50 mm

 **3 842 555 673**

SIDEX

Bosch Rexroth AG

Postfach 30 02 07
70442 Stuttgart, Germany
www.boschrexroth.com

You can find local contact information at:

www.boschrexroth.com/contact

The data specified above only serves to describe the product.

Due to the continuous development of our products, no statements concerning a specific characteristic or suitability for a specific application can be inferred from the information that we provide. The information given does not release the user from the obligation of own judgment and verification.

It must be remembered that our products are subject to a natural process of wear and aging.