



Servo-assisted 2/2 way valve diaphragm valve

- Servo-assisted diaphragm valve with diameter of up to DN 65
- Separating diaphragm for aggressive and contaminated media
- Closing and opening times can be individually adjusted
- Explosion proof version (Cat.2)
- Service-friendly manual override

The 5282 valve is a servo-assisted diaphragm valve. A minimum differential pressure is required for the valve to function. Various diaphragm material combinations and methods of operation are available depending on the application. The standard brass housing satisfies all European drinking water requirements. The housing offering is completed with stainless steel and grey cast iron versions.

The 3/2-way pilot valve can be easily converted from NC to NO functioning principle by rotating it on the armature. The solenoid coils are moulded with a chemically resistant epoxy. The 5282 is equipped with manual override for commissioning and testing. In combination with a plug in accordance with DIN EN 175301-803 Form A and stainless steel housing the valves satisfy protection class NEMA 4X.

Content

Standard version

| | |
|-----------------|------|
| Technical data | p. 1 |
| Ordering charts | p. 2 |
| Materials | p. 4 |
| Dimensions | p. 5 |

Explosion proof version

| | |
|--------------------|------|
| Ordering chart | p. 7 |
| Additional options | p. 8 |
| Dimensions | p. 9 |

| Technical data | |
|----------------------------------------------------|--------------------------------------------------------------------------------------------------------------------------------------------------------------------------------------|
| Orifice | DN13 – 65 mm |
| Body material | Brass acc. to DIN EN 50930-6, stainless steel 1.4581 Threaded port Flange Stainless steel 1.4541, cast iron |
| Coil encapsulation material | Epoxy |
| Coil insulation class | H |
| Seal material | NBR, EPDM, FKM |
| Medium | Neutral fluid, such as compressed air, water, hydraulic oil, NBR EPDM FKM Oil and fat-free fluid, e.g. alkaline solutions, hot water Hot air, peracetic acid, hot oil |
| Medium temperature | 0° to +80 °C NBR EPDM FKM -25 to +90 °C 0 to +90 °C |
| Ambient temperature | Max. +55 °C |
| Voltage tolerance | ± 10 % |
| Duty cycle | 100% continuous rating |
| Electrical connection | Cable plug acc. DIN EN 175301-803 Form A Standard (previously DIN 43650) EX With moulded-in cable 3 m long, 3 x 0.75 mm ² With terminal box |
| Protection class | IP 65 with cable plug acc. to DIN EN 175 301-803 FormA NEMA 4X units with stainless steel housing IP65 with cable or terminal box |
| Type of protection (ATEX and IECEx version) | II 2G Ex mb IIC Gb With cable II 2D Ex mb IIIC T130°C Db II 2G Ex eb mb IIC T4 Gb With terminal box II 2D Ex mb tb IIIC T130°C Db |
| Installation | as required, preferably connected upright |

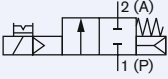
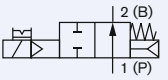
Technical data, continued

| Version | Orifice [mm] | Power consumption | | | Response times ¹⁾ | |
|----------|-----------------|----------------------|----------------------|------------------------|------------------------------|----------------|
| | | Inrush AC [VA] | Hold AC [VA/W] | DC cold/warm [W] | Opening [s] | Closing [s] |
| Standard | 13–65 | 24 | 14/8 | 11/8 | 0.1–0.8 | 1.0–4.0 |
| EX | 13–65 | 40 | 3 | 40 Inrush / 3 Hold | 0.1–0.8 | 1.0–4.0 |

¹⁾ Measured at valve outlet at 6 bar and +20°C. Opening: pressure build-up 0...90%, Closing: pressure relief 100...10%
The response times can be changed by turning the restrictor screws (in the body cover).

Ordering chart for valves (other versions on request)

Brass body, threaded port, with manual override, without cable plug

| Circuit function | Port connection | Orifice [mm] | K _v -value water ²⁾ [m ³ /h] | Nominal pressure [bar] ³⁾ | Weight [kg] | Item no. per voltage/frequency [V/Hz] | | | |
|---------------------------------------------------------------------------------------------------------------------------------------------------------------------------------------------------------------------------------------------------------------------------------------------------------------------------------------------------------------------------------------------------------------|------------------------------------------------------|--------------|------------------------------------------------------------------|-----------------------------------------|----------------|---------------------------------------|-----------|-----------|--|
| | | | | | | 024/DC | 024/50–60 | 230/50–60 | |
| A 2/2 way servo-controlled solenoid valve, normally closed, with manual override  or by turning the pilot drive through 180° B 2/2 way servo-controlled solenoid valve, normally open, with manual override  | Brass body, threaded port, seal material NBR | | | | | | | | |
| | G ½ | 13.0 | 4.0 | 0.2–10 | 0.95 | 134 430 | 134 431 | 134 433 | |
| | G ¾ | 20.0 | 6.5 | 0.2–10 | 1.40 | 134 434 | 134 435 | 134 437 | |
| | G 1 | 25.0 | 10.0 | 0.2–10 | 1.85 | 134 438 | 134 439 | 134 441 | |
| | G 1 ¼ | 32.0 | 20.0 | 0.2–10 | 2.60 | 134 442 | 134 443 | 134 445 | |
| | G 1 ½ | 40.0 | 20.0 | 0.2–10 | 3.05 | 134 446 | 134 447 | 134 449 | |
| | G 2 | 50.0 | 40.0 | 0.2–10 | 5.15 | 134 450 | 134 451 | 134 453 | |
| | G 2 ½ | 65.0 | 40.0 | 0.2–10 | 5.90 | 134 454 | 134 455 | 134 457 | |
| | Brass body, threaded port, seal material EPDM | | | | | | | | |
| | G ½ | 13.0 | 4.0 | 0.2–10 | 0.95 | 134 458 | 134 459 | 134 461 | |
| | G ¾ | 20.0 | 6.5 | 0.2–10 | 1.40 | 134 462 | 134 463 | 134 465 | |
| | G 1 | 25.0 | 10.0 | 0.2–10 | 1.85 | 134 466 | 134 467 | 134 469 | |
| | G 1 ¼ | 32.0 | 20.0 | 0.2–10 | 2.60 | 134 470 | 134 471 | 134 473 | |
| | G 1 ½ | 40.0 | 20.0 | 0.2–10 | 3.05 | 134 474 | 134 475 | 134 477 | |
| G 2 | 50.0 | 40.0 | 0.2–10 | 5.15 | 134 478 | 134 479 | 134 481 | | |
| G 2 ½ | 65.0 | 40.0 | 0.2–10 | 5.90 | 134 482 | 134 483 | 134 485 | | |
| Brass body, threaded port, seal material FKM | | | | | | | | | |
| G ½ | 13.0 | 4.0 | 0.2–10 | 0.95 | 134 486 | 134 487 | 134 489 | | |
| G ¾ | 20.0 | 6.5 | 0.2–10 | 1.40 | 134 490 | 134 491 | 134 493 | | |
| G 1 | 25.0 | 10.0 | 0.2–10 | 1.85 | 134 494 | 134 495 | 134 497 | | |
| G 1 ¼ | 32.0 | 20.0 | 0.2–10 | 2.60 | 134 498 | 134 499 | 134 501 | | |
| G 1 ½ | 40.0 | 20.0 | 0.2–10 | 3.05 | 134 502 | 134 503 | 134 505 | | |
| G 2 | 50.0 | 40.0 | 0.2–10 | 5.15 | 134 506 | 134 507 | 134 509 | | |
| G 2 ½ | 65.0 | 40.0 | 0.2–10 | 5.90 | 134 510 | 134 511 | 134 513 | | |

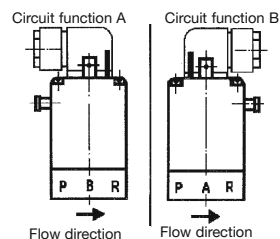
²⁾ measured at +20°C, 1 bar pressure at valve inlet and free outlet, a differential pressure of 0.5 bar is required to open the full orifice.

³⁾ Pressure values [bar]: Overpressure to the atmospheric pressure

Please note that the cable plug has to be ordered separately, see ordering chart for accessories, see datasheet for Type 2508 or 2518.
Delivered as circuit function A. Change to circuit function B by turning the pilot drive by 180° (only for 10 bar version).

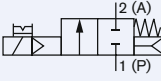
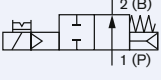
Mounting instructions:

Arrangement of the pilot control



Ordering chart for valves (other versions on request), continued

Stainless steel body, threaded port or flange, with manual override, without cable plug

| Circuit function | Port connection | Orifice [mm] | K _v -value water ¹⁾ [m ³ /h] | Nominal pressure ²⁾ [bar] | Weight [kg] | Item no. per voltage/frequency [V/Hz] | | | |
|------------------------------------------------------------------------------------------------------------------------------------------------------------------------------|-----------------------------------------------------------|--------------|------------------------------------------------------------------|-----------------------------------------|----------------|---------------------------------------|-------------|-------------|--|
| | | | | | | 024/DC | 024/50 – 60 | 230/50 – 60 | |
| A 2/2 way servo-controlled solenoid valve, normally closed, with manual override  | Stainless steel, threaded port, seal material NBR | | | | | | | | |
| | G ½ | 13.0 | 4.0 | 0.2 – 10 | 0.91 | 281 976 | 281 979 | 281 981 | |
| | G ¾ | 20.0 | 6.5 | 0.2 – 10 | 1.40 | 137 142 | 137 143 | 137 145 | |
| | G 1 | 25.0 | 10.0 | 0.2 – 10 | 1.80 | 137 146 | 137 147 | 137 149 | |
| | G 1 ¼ | 32.0 | 20.0 | 0.2 – 10 | 2.25 | 137 150 | 137 151 | 137 153 | |
| | G 1 ½ | 40.0 | 20.0 | 0.2 – 10 | 2.70 | 137 154 | 137 155 | 137 157 | |
| | G 2 | 50.0 | 40.0 | 0.2 – 10 | 4.80 | 137 158 | 137 159 | 137 161 | |
| | Stainless steel, threaded port, seal material FKM | | | | | | | | |
| | G ½ | 13.0 | 4.0 | 0.2 – 10 | 0.91 | 220 291 | 220 292 | 220 294 | |
| | G ¾ | 20.0 | 6.5 | 0.2 – 10 | 1.40 | 134 518 | 134 519 | 134 521 | |
| | G 1 | 25.0 | 10.0 | 0.2 – 10 | 1.80 | 134 522 | 134 523 | 134 525 | |
| | G 1 ¼ | 32.0 | 20.0 | 0.2 – 10 | 2.25 | 134 526 | 134 527 | 134 529 | |
| G 1 ½ | 40.0 | 20.0 | 0.2 – 10 | 2.70 | 134 530 | 134 531 | 134 533 | | |
| G 2 | 50.0 | 40.0 | 0.2 – 10 | 4.80 | 134 534 | 134 535 | 134 537 | | |
| B 2/2 way servo-controlled solenoid valve, normally open, with manual override  | Stainless steel, threaded port, seal material EPDM | | | | | | | | |
| | G ½ | 13.0 | 4.0 | 0.2 – 10 | 0.91 | 220 297 | 220 298 | 220 300 | |
| | G ¾ | 20.0 | 6.5 | 0.2 – 10 | 1.40 | 145 709 | on request | 141 714 | |
| | G 1 | 25.0 | 10.0 | 0.2 – 10 | 1.80 | 141 078 | 9390 9807 | 146 160 | |
| | G 1 ¼ | 32.0 | 20.0 | 0.2 – 10 | 2.25 | 438 559 | on request | 147 803 | |
| | G 1 ½ | 40.0 | 20.0 | 0.2 – 10 | 2.70 | 141 667 | on request | 139 823 | |
| | G 2 | 50.0 | 40.0 | 0.2 – 10 | 4.80 | 141 075 | on request | 146 530 | |
| | Stainless steel flange acc. DIN EN 1092-1 with FKM | | | | | | | | |
| | Flange | 25.0 | 10.0 | 0.2 – 10 | 3.65 | 134 554 | 134 555 | 134 557 | |
| | Flange | 32.0 | 20.0 | 0.2 – 10 | 6.45 | 134 558 | 134 559 | 134 561 | |
| | Flange | 40.0 | 20.0 | 0.2 – 10 | 7.05 | 134 562 | 134 563 | 134 565 | |
| | Flange | 50.0 | 40.0 | 0.2 – 10 | 10.50 | 134 566 | 134 567 | 134 569 | |
| Stainless steel flange acc. DIN EN 1092-1 with EPDM | | | | | | | | | |
| Flange | 25.0 | 10.0 | 0.2 – 10 | 3.65 | 134 570 | 134 571 | 134 573 | | |
| Flange | 32.0 | 20.0 | 0.2 – 10 | 6.45 | 134 574 | 134 575 | 134 577 | | |
| Flange | 40.0 | 20.0 | 0.2 – 10 | 7.05 | 134 578 | 134 579 | 134 581 | | |
| Flange | 50.0 | 40.0 | 0.2 – 10 | 10.50 | 134 582 | 134 583 | 134 585 | | |

¹⁾ measured at +20°C, 1 bar pressure at valve inlet and free outlet, a differential pressure of 0.5 bar is required to open the full orifice.

²⁾ Pressure values [bar]: Overpressure to the atmospheric pressure

Please note that the cable plug has to be ordered separately, see ordering chart for accessories, see datasheet for Type 2508 or 2518.

Delivered as circuit function A. Change to circuit function B by turning the pilot drive by 180° (only for 10 bar version).

i Weitere Ausführungen auf Anfrage

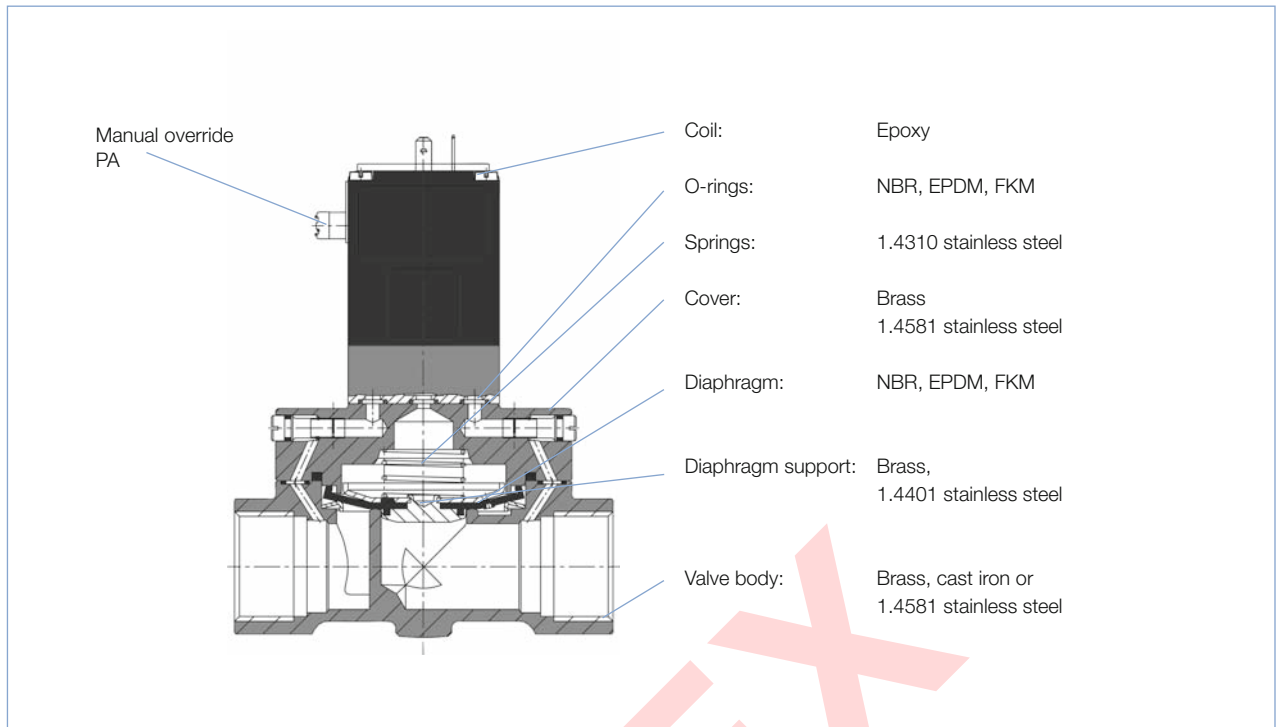
⚡ Voltages

🔍 Approvals
UL, UR, CSA, Hazardous Locations Expl. proof, Ex, KOSHA, NEPSI, CGA/AGA, FM Ex Div. 1 or 2, Drinking water acc. to KTW/W270, pulse version

➔ Additional
With optical position indicator or electrical feedback as potential-free contact or NAMUR signal

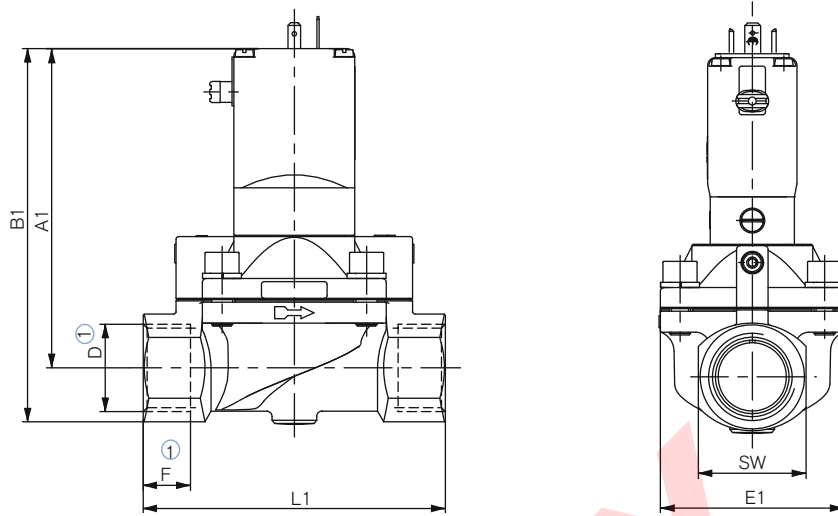
📏 Druck
Pressure range up to 16 bar

Materials



Dimensions [mm]

Threaded port



① For port connection G thread F1 and G1 applies,
port connection NPT thread F2 and G2,
port connection Rc thread F3 and G3.

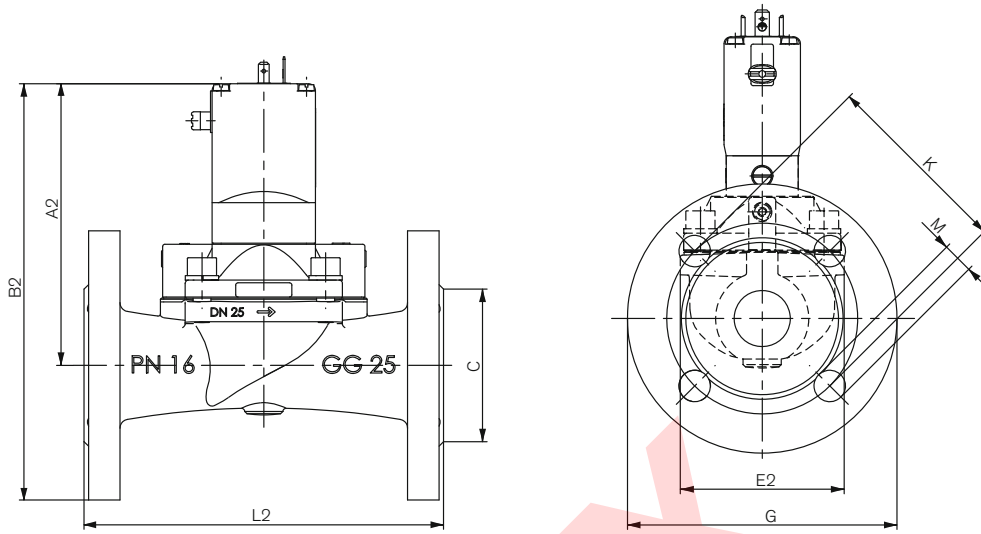
② only as stainless steel - thread port version

③ only as brass - thread port version

| Threaded port | | | | | | | | | | | |
|---------------|---------|-------|-------|----|-----------|------|----------|------|-----|-----|----|
| DN | D1 | A1 | B1 | F1 | D2 | F2 | D3 | F3 | E1 | L1 | SW |
| ③ 13 | | 109.0 | 123.0 | | | | Rc 3/8 | 10.1 | 40 | 65 | 27 |
| ③ 13 | G 1/2 | 109.0 | 123.0 | 14 | NPT 1/2 | 13.7 | Rc 1/2 | 13.2 | 40 | 65 | 27 |
| ② 13 | G 1/2 | 108.0 | 124.0 | 14 | NPT 1/2 | 13.7 | Rc 1/2 | 13.2 | 40 | 65 | 32 |
| ② 13 | G 3/4 | 108.0 | 124.0 | 16 | NPT 3/4 | 14.0 | Rc 3/4 | 14.5 | 40 | 65 | 32 |
| ② 20 | G 1/2 | 115.0 | 131.0 | 14 | NPT 1/2 | 13.7 | Rc 1/2 | 13.2 | 60 | 100 | 32 |
| 20 | G 3/4 | 115.0 | 131.0 | 16 | NPT 3/4 | 14.0 | Rc 3/4 | 14.5 | 60 | 100 | 32 |
| 25 | G 1 | 121.5 | 142.0 | 18 | NPT 1 | 16.8 | Rc 1 | 16.8 | 70 | 115 | 41 |
| 32 | G 1 1/4 | 122.0 | 147.0 | 20 | NPT 1 1/4 | 17.3 | Rc 1 1/4 | 19.1 | 85 | 126 | 50 |
| 40 | G 1 1/2 | 126.0 | 156.0 | 22 | NPT 1 1/2 | 17.3 | Rc 1 1/2 | 19.1 | 85 | 126 | 60 |
| 50 | G 2 | 142.5 | 177.5 | 24 | NPT 2 | 17.6 | Rc 2 | 23.4 | 115 | 164 | 70 |
| 65 | G 2 1/2 | 142.5 | 185.0 | 27 | NPT 2 1/2 | 23.6 | Rc | | 115 | 180 | 85 |

Dimensions [mm], continued

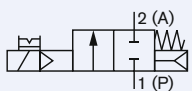
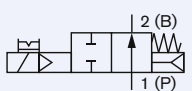
Flange version acc. to DIN EN 1092-1



| Flange version in stainless steel and cast iron | | | | | | | | |
|-------------------------------------------------|-------|-------|-----|-----|-----|-----|----|-----|
| DN | A2 | B2 | C | E2 | G | L2 | M | K |
| 25 | 125.5 | 185.5 | 68 | 73 | 120 | 160 | 14 | 85 |
| 32 | 122.0 | 192.0 | 78 | 85 | 140 | 180 | 18 | 100 |
| 40 | 126.0 | 201.0 | 88 | 85 | 150 | 200 | 18 | 110 |
| 50 | 142.5 | 225.0 | 102 | 115 | 165 | 230 | 18 | 125 |



Ordering chart for valves (other versions on request)

| Circuit function | Port connection | Orifice [mm] | K _v -value ¹⁾ water [m ³ /h] | Pressure range ²⁾ [bar] | Item no. per Voltage [V/Hz] Seal | |
|----------------------------------------------------------------------------------------------------------------------------------------------------------------------------------------------------------------------------|-----------------------------------------------------------|--------------|---------------------------------------------------------------------|---------------------------------------|-------------------------------------|------------|
| | | | | | 024/ UC | 230/ UC |
| Version with manual override, FKM seal and terminal box (without safety fuse) | | | | | | |
| A 2/2 way servo-controlled solenoid valve, normally closed, with manual override  or by turning the pilot drive through 180° | Brass - Threaded body, seal material FKM | | | | | |
| | G ½ | 13 | 4.0 | 0.5–10 | 308 689 | 308 714 |
| | G ¾ | 20 | 6.5 | 0.5–10 | 308 704 | 308 731 |
| | G 1 | 25 | 10.0 | 0.5–10 | 308 705 | 308 710 |
| | G 1 ¼ | 32 | 20.0 | 0.5–10 | on request | on request |
| | G 1 ½ | 40 | 20.0 | 0.5–10 | 314 375 | 308 702 |
| | G 2 | 50 | 40.0 | 0.5–10 | on request | on request |
| | Stainless steel - Threaded body, seal material FKM | | | | | |
| | G ½ | 13 | 4.0 | 0.5–10 | 308 716 | 308 738 |
| | G ½ | 20 | 5.0 | 0.5–10 | 308 677 | 308 708 |
| G ¾ | 20 | 6.5 | 0.5–10 | 308 706 | 308 709 | |
| G 1 | 25 | 10.0 | 0.5–10 | 308 688 | 308 733 | |
| G 1 ¼ | 32 | 20.0 | 0.5–10 | on request | 315 307 | |
| G 1 ½ | 40 | 20.0 | 0.5–10 | 313 855 | 313 857 | |
| G 2 | 50 | 40.0 | 0.5–10 | on request | 312 632 | |
| Version with manual override, NBR seal and moulded-in cable, 3 m | | | | | | |
| B 2/2 way servo-controlled solenoid valve, normally open, with manual override  or by turning the pilot drive through 180° | Brass - Threaded body, seal material NBR | | | | | |
| | G ½ | 13 | 4.0 | 0.5–10 | 307 168 | 307 171 |
| | G ¾ | 20 | 6.5 | 0.5–10 | 307 188 | 307 192 |
| | G 1 | 25 | 10.0 | 0.5–10 | 307 204 | 307 212 |
| | G 1 ¼ | 32 | 20.0 | 0.5–10 | 307 224 | 307 226 |
| | G 1 ½ | 40 | 20.0 | 0.5–10 | 307 236 | 307 237 |
| | G 2 | 50 | 40.0 | 0.5–10 | 307 243 | 307 245 |
| | G 2 ½ | 65 | 40.0 | 0.5–10 | on request | 307 250 |

¹⁾ measured at +20°C, 1 bar pressure at valve inlet and free outlet, a differential pressure of 0.5 bar is required to open the full orifice.

²⁾ Pressure values [bar]: Overpressure to the atmospheric pressure


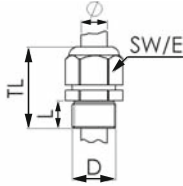

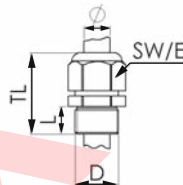
Delivered as circuit function A. Change to circuit function B by turning the pilot drive by 180° (only for 10 bar version).



Ordering chart for accessories


Ex-Cable glands

(polyamide version included in delivery / surcharge applied for brass nickel plated version)

| | Description | Ex Approvals | | Item no. | Drawing | | | | | | | | | | |
|-----------------------------------------------------------------------------------|----------------------------------------------|----------------------------------------|-----------------------------------------------|----------|-----------------------------------------------------------------------------------------------------------------------------------------------------------------------------------------------------------------------------------------------------------------------------------------------|----|------------|---|-------|---|----|----|-------|---|-------|
| | | Certification | Identification | | | | | | | | | | | | |
|  | Brass nickel-plated, 6 – 13 mm ¹⁾ | IECEX PTB 13.0027X, PTB 04 ATEX 1112 X | II 2 D Ex tb IIIC Db IP68, II 2 G Ex e IIC Gb | 773 278 |  <table border="1"> <tr><td>TL</td><td>29 – 37 mm</td></tr> <tr><td>L</td><td>6 mm</td></tr> <tr><td>D</td><td>20</td></tr> <tr><td>SW</td><td>24 mm</td></tr> <tr><td>E</td><td>27 mm</td></tr> </table> | TL | 29 – 37 mm | L | 6 mm | D | 20 | SW | 24 mm | E | 27 mm |
| TL | 29 – 37 mm | | | | | | | | | | | | | | |
| L | 6 mm | | | | | | | | | | | | | | |
| D | 20 | | | | | | | | | | | | | | |
| SW | 24 mm | | | | | | | | | | | | | | |
| E | 27 mm | | | | | | | | | | | | | | |
|  | Polyamide, 7 – 13 mm ¹⁾ | PTB 13 ATEX 1015 X, IECEX PTB 13.0034X | II 2 G Ex e IIC Gb, II 2 D Ex tb IIIC Db IP68 | 773 277 |  <table border="1"> <tr><td>TL</td><td>36 – 45 mm</td></tr> <tr><td>L</td><td>10 mm</td></tr> <tr><td>D</td><td>20</td></tr> <tr><td>SW</td><td>24 mm</td></tr> <tr><td>E</td><td>28 mm</td></tr> </table> | TL | 36 – 45 mm | L | 10 mm | D | 20 | SW | 24 mm | E | 28 mm |
| TL | 36 – 45 mm | | | | | | | | | | | | | | |
| L | 10 mm | | | | | | | | | | | | | | |
| D | 20 | | | | | | | | | | | | | | |
| SW | 24 mm | | | | | | | | | | | | | | |
| E | 28 mm | | | | | | | | | | | | | | |

¹⁾ cable diameter

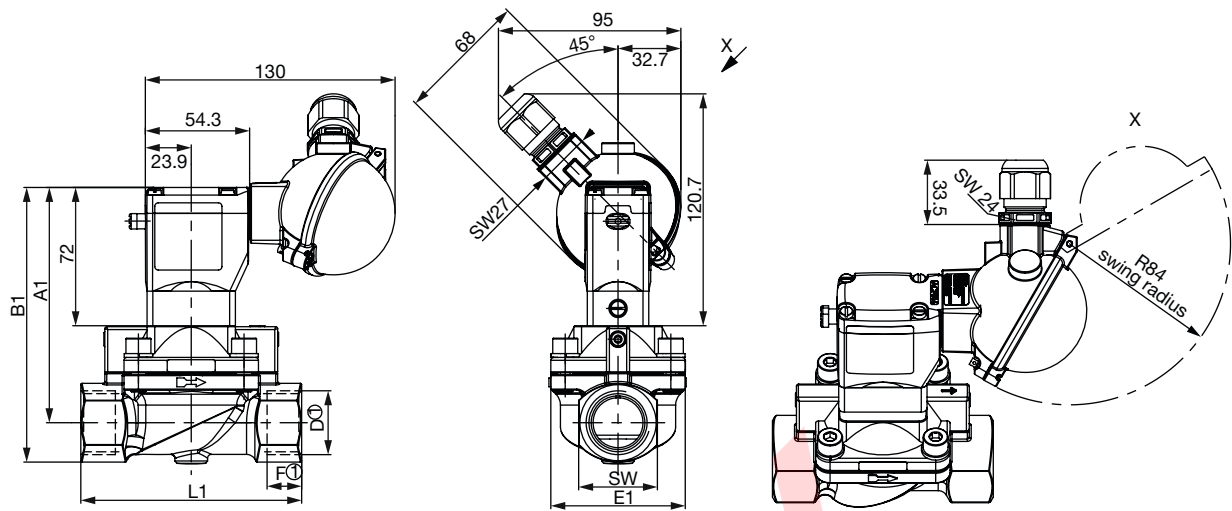
Special tool to turn the junction box (not included in delivery)

| | Description | Item no. |
|-------------------------------------------------------------------------------------|---------------------------------------------------|----------|
|  | Set SC02-AC10 Special wrench Service Manual | 293 488 |

DTS 1000011015 EN Version: J Status: RL (released | freigegeben | validé) printed: 22.09.2017

Dimensions [mm]

Threaded version



① For port connection G thread F1 and G1 applies,
port connection NPT thread F2 and G2,
port connection Rc thread F3 and G3.

② only as stainless steel - thread port version

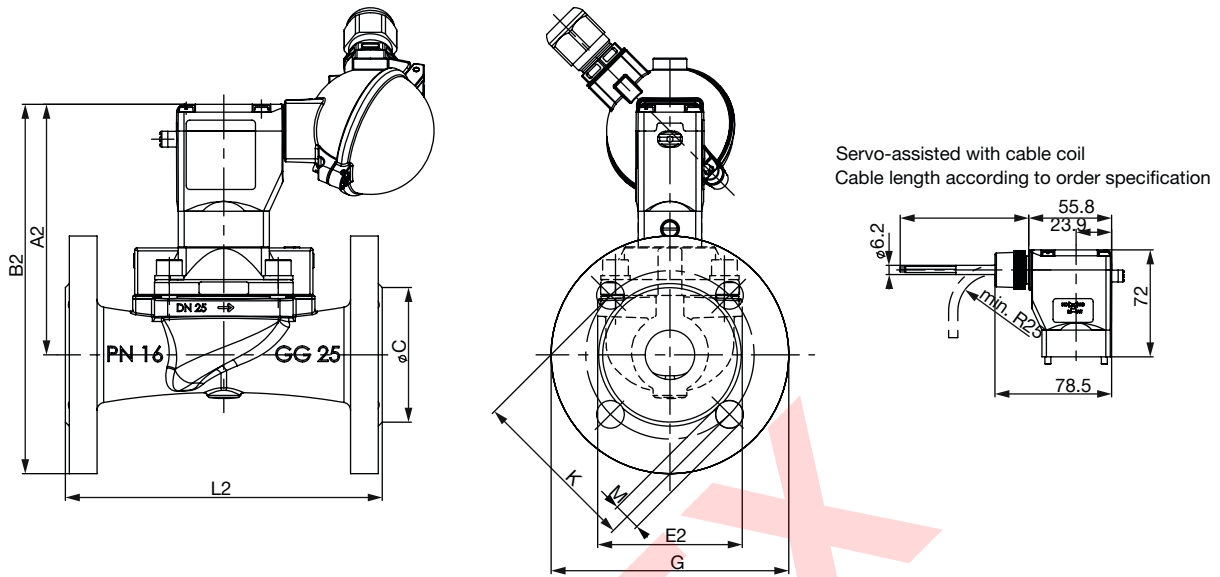
③ only as brass - thread port version

Threaded version

| DN | D1 | A1 | B1 | F1 | D2 | F2 | D3 | F3 | E1 | L1 | SW |
|------|---------|-------|-------|----|-----------|------|----------|------|-----|-----|----|
| ③ 13 | | 110.0 | 124.0 | | | | Rc 3/8 | 10.1 | 40 | 65 | 27 |
| ③ 13 | G 1/2 | 110.0 | 124.0 | 14 | NPT 1/2 | 13.7 | Rc 1/2 | 13.2 | 40 | 65 | 27 |
| ② 13 | G 1/2 | 109.0 | 125.0 | 14 | NPT 1/2 | 13.7 | Rc 1/2 | 13.2 | 40 | 65 | 32 |
| ② 13 | G 3/4 | 109.0 | 125.0 | 16 | NPT 3/4 | 14.0 | Rc 3/4 | 14.5 | 40 | 65 | 32 |
| ② 20 | G 1/2 | 116.0 | 132.0 | 14 | NPT 1/2 | 13.7 | Rc 1/2 | 13.2 | 60 | 100 | 32 |
| 20 | G 3/4 | 116.0 | 132.0 | 16 | NPT 3/4 | 14.0 | Rc 3/4 | 14.5 | 60 | 100 | 32 |
| 25 | G 1 | 122.5 | 143.0 | 18 | NPT 1 | 16.8 | Rc 1 | 16.8 | 70 | 115 | 41 |
| 32 | G 1 1/4 | 123.0 | 148.0 | 20 | NPT 1 1/4 | 17.3 | Rc 1 1/4 | 19.1 | 85 | 126 | 50 |
| 40 | G 1 1/2 | 127.0 | 157.0 | 22 | NPT 1 1/2 | 17.3 | Rc 1 1/2 | 19.1 | 85 | 126 | 60 |
| 50 | G 2 | 143.8 | 178.8 | 24 | NPT 2 | 17.6 | Rc 2 | 23.4 | 115 | 164 | 70 |
| 65 | G 2 1/2 | 143.5 | 186.0 | 27 | NPT 2 1/2 | 23.6 | | | 115 | 180 | 85 |

Dimensions [mm]

Flange version acc. to DIN EN 1092-1



| DN | GG | | VA | | Flange version | | | | | |
|----|-------|-------|-------|-------|----------------|-----|-----|-----|----|-----|
| | A2 | B2 | A2 | B2 | C | E2 | G | L2 | M | K |
| 25 | 126.5 | 179.0 | 121.5 | 179.0 | 68 | 73 | 115 | 160 | 14 | 85 |
| 32 | 123.0 | 193.0 | 123.0 | 193.0 | 78 | 85 | 140 | 180 | 18 | 100 |
| 40 | 127.0 | 202.0 | 127.0 | 202.0 | 88 | 85 | 150 | 200 | 18 | 110 |
| 50 | 143.5 | 226.0 | 143.8 | 226.3 | 102 | 115 | 165 | 230 | 18 | 125 |

DTS 1000011015 EN Version: J Status: RL (released | freigegeben | validé) printed: 22.09.2017

To find your nearest Bürkert facility, click on the orange box → www.burkert.com

In case of special application conditions, please consult for advice.

Subject to alteration.
© Christian Bürkert GmbH & Co. KG

1709/8_EU-en_00895286