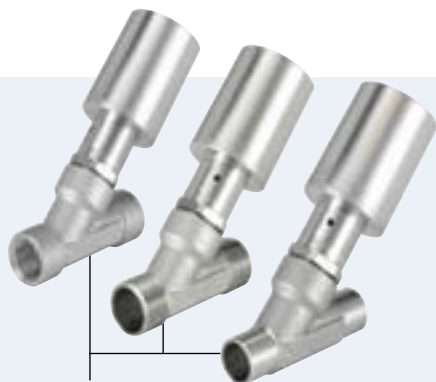


2000
INOX



bürkert
FLUID CONTROL SYSTEMS

2/2-way Angle-Seat Valve 32mm Actuator for media up to +180°C DN10, 15



- Small, compact design
- Actuator and valve body in stainless steel
- Normally closed or open actuators
- Available with flow direction below seat
- Actuator concept for block mounting

Type 2000 can be combined with...



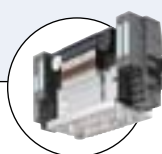
SY01MD

Multifunctional block



Type 8640

AirLINE Quick



Type 8644

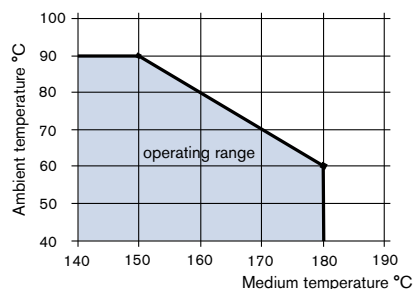
AirLINE Quick

The externally piloted angle-seat valve is operated with a single acting piston actuator.

The pneumatic piston actuator is constructed from stainless steel and incorporates a proven self adjusting packing gland, to ensure high media leak tightness. The 2/2-way body is made from a high quality stainless steel casting, with a flow optimized design enabling high flow rates.

For customized solutions in particular, a modular housing is available in a compact design, with mixing functions, distribution functions and multi-way functions.

¹⁾ **Note:** For 2000 INOX the combination of max. medium temperature and max. ambient temperature is as shown in the following chart



Technical data	
Orifice	DN 10, 15
Body materials	Cast Stainless steel
Seal material	PTFE
Actuator material	Stainless steel 316L
Medium	Water, alcohol, oils, fuels, hydraulic fluids, salt solution, alkali solutions, organic solvents, steam, air and neutral gases
Viscosity	Max. 600 mm ² /s
Packing gland (with silicone grease)	PTFE V-rings with spring compensation
Medium temperature¹⁾	0 up to +180 °C
Ambient temperature¹⁾	0 up to +60 °C
Control medium	Neutral gases, air
Min. / max. pilot pressure²⁾	5.5 - 10 bar
Medium pressure	from vacuum to 16 bar
Kv value water	2.4 m ³ /h (DN10) and 4.0 m ³ /h (DN 15)
Port connection	G and NPT 3/8 and 1/2 - threaded ports G 1/2 - external thread Weld end acc. EN ISO 1127/ISO 4200, DIN 11850 Series 2, ASME BPE
Pilot air port	M5 (Screw-in fitting recommended)
Control function	SF-A (normally closed by spring action) SF-B (normally opened by spring action) on request

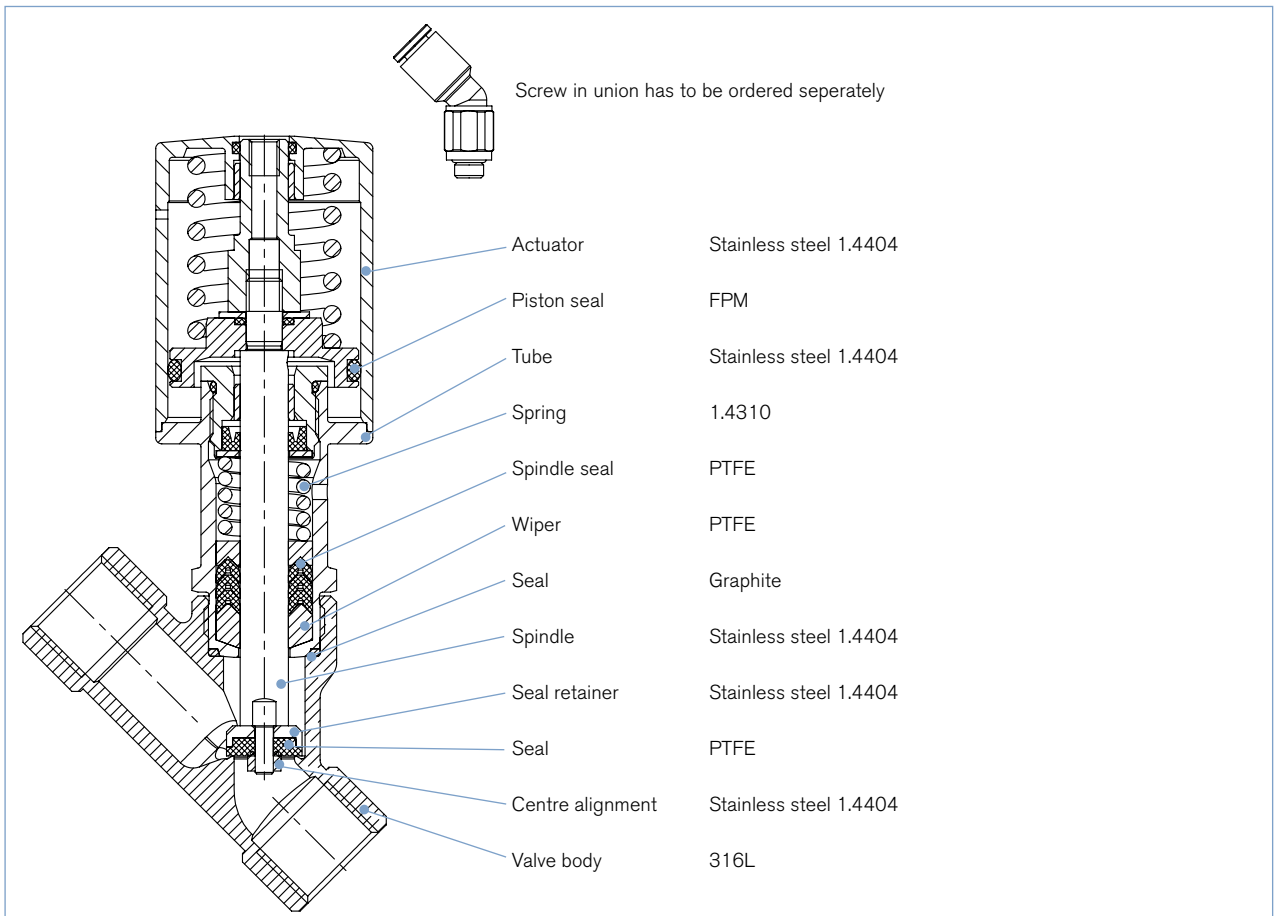
²⁾ lower pilot pressure on reduced medium temperature on request

Technical data

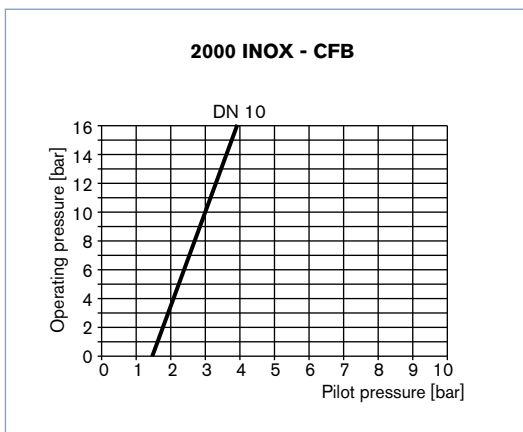
Orifice [mm]	Actuator size [mm]	Kv-value water (m³/h)	Minimum pilot pressure ¹⁾ CFA [bar]	Max. operating pressure to +180°		Weight [kg]
				CFA [bar]	CFB [bar]	
10	32	2.4	5.5	16	16	0.4
15	32	4.0	5.5	11	-	0.6

¹⁾ lower pilot pressure on reduced medium temperature on request

Materials Type 2000 INOX

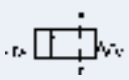


Pressure chart with control function B and flow direction below seat



Ordering chart (other versions on request)

Flow direction below seat

Circuit function	Port connection	Orifice [mm]	Actuator size Ø [mm]	k _v -value water [m ³ /h]	Minimum pilot pressure [bar]	Max. operating pressure up to +180 °C [bar]	Item no.
A 2/2-way valve normally closed by spring action 	G 3/8	10	32	2.4	5.5	16	210 644
	NPT 3/8	10	32	2.4	5.5	16	218 145
	Rc 3/8	10	32	2.4	4.0	10	226 632
	external thread G 1/2	10	32	2.4	5.5	16	218 148
	EN ISO 1127 DN10 (17.2 x 1.6)	10	32	2.4	5.5	16	215 485
	DIN 11850R2 DN10 (13 x 1.5)	10	32	2.4	5.5	16	218 146
	ASME BPE 1/2 (12.7 x 1.65)	10	32	2.4	5.5	16	218 147
	actuator without body	10	32	2.4	5.5	16	212 149
	G 1/2	15	32	4.0	5.5	11	246 066
	NPT 1/2	15	32	4.0	5.5	11	246 067
	Rc 1/2	15	32	4.0	5.5	11	246 068
	EN ISO 1127 DN10 (21.3 x 1.6)	15	32	4.0	5.5	11	246 069
	DIN 11850R2 DN10 (19 x 1.5)	15	32	4.0	5.5	11	246 070
	ASME BPE 1/2 (12.5 x 1.65)	15	32	4.0	5.5	11	246 071
	actuator without body	15	32	4.0	5.5	11	245 389

i Further versions on request



Analyse

Oxygen version
Assembly silicon, oil and fat-free



Control function

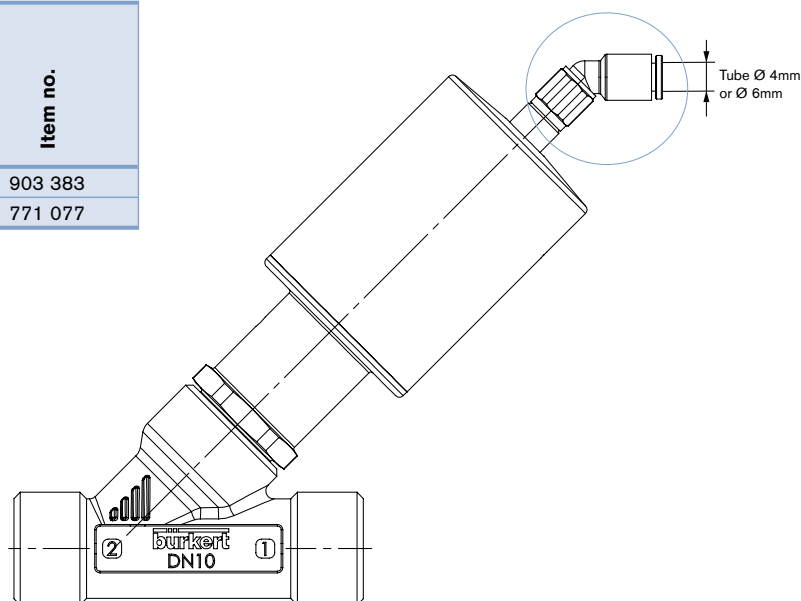
Control function B opened by spring action

Ordering chart for accessories (not supplied as standard)

Angle screw-in fitting 45° has to be ordered separately.

Description	Item no.
Screw-in fitting ¹⁾ M5 - Ø 4mm	903 383
Screw-in fitting ¹⁾ M5 - Ø 6mm	771 077

¹⁾Version up to max. 60°C Ambient temperature
higher temperatures - on request



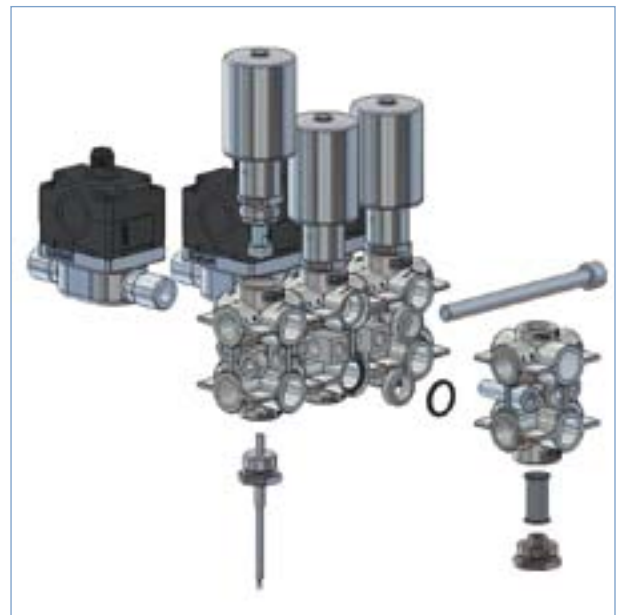
Multifunctional block SY01MD (only DN 10 available)

Modern valve solutions must consider; in addition to the normal process requirements e.g. temperature and pressure; influences such as the space available, and should be flexible and adaptable to meet the customer specific needs.

The modular block system is especially suited to this purpose, as it can be used to accommodate the most complex fluidic systems, whilst optimizing the smallest possible installed space.

The Multifunction Block Solution improves the inherent performance weaknesses associated with traditional interconnecting pipe assemblies. The Multifunction Block Solution distills existing interconnecting pipe solutions, removing unnecessary pipework, elbows and connections, whilst maintaining flexibility of internal gallery configurations. The aim is to improve the system performance overall where possible, by eliminating potential leak paths, reducing material mass, lowering component count and minimizing the overall space envelop. Added to this, the inherent flexibility of the design allows for the inclusion of fluid ancillaries such as strainers and checkvalves, for a complete fluid management system.

System example



The Illustrations above show a 3-way distribution-system with flow rate and temperature measurement via the Bürkert flow sensor, Type 8011 and temperature sensor, Type TST001. The input is via an additional feed-in module with an integrated filter.

The following basic functions are available using different block combinations.

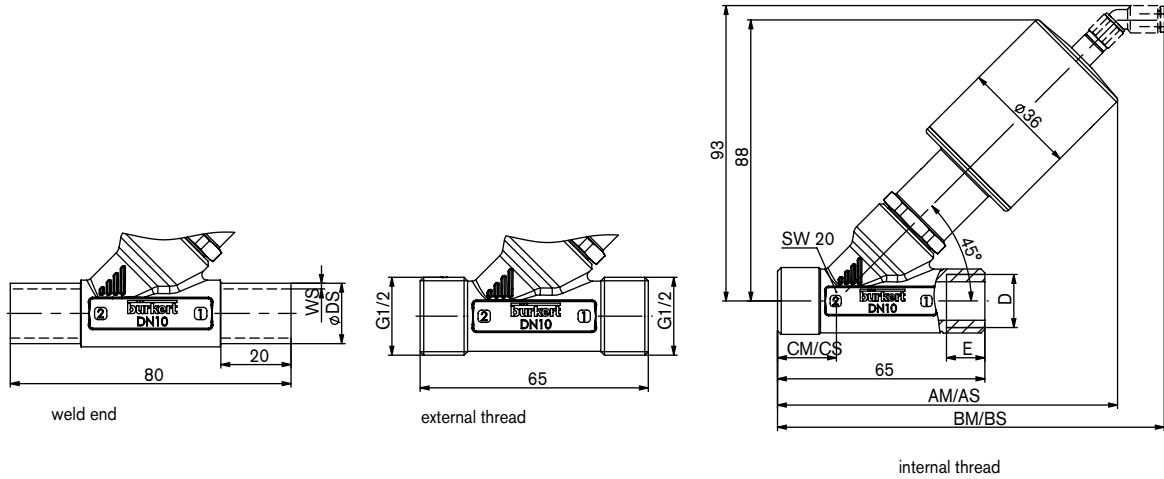
- Distribution system: Depending on the input. it could be shared by different users.
- Collection system: Depending on the different uses, the return flow could be collected
- Mixing system: Different mediums (e.g. hot water and cold water or a mix of different chemicals) could be mixed together and distributed to different users.
- Sensor integration: Sensors can be easily integrated in the supply or return flow to measure pressure or temperature.
- Integration of filters and check valves.

2000
INOX

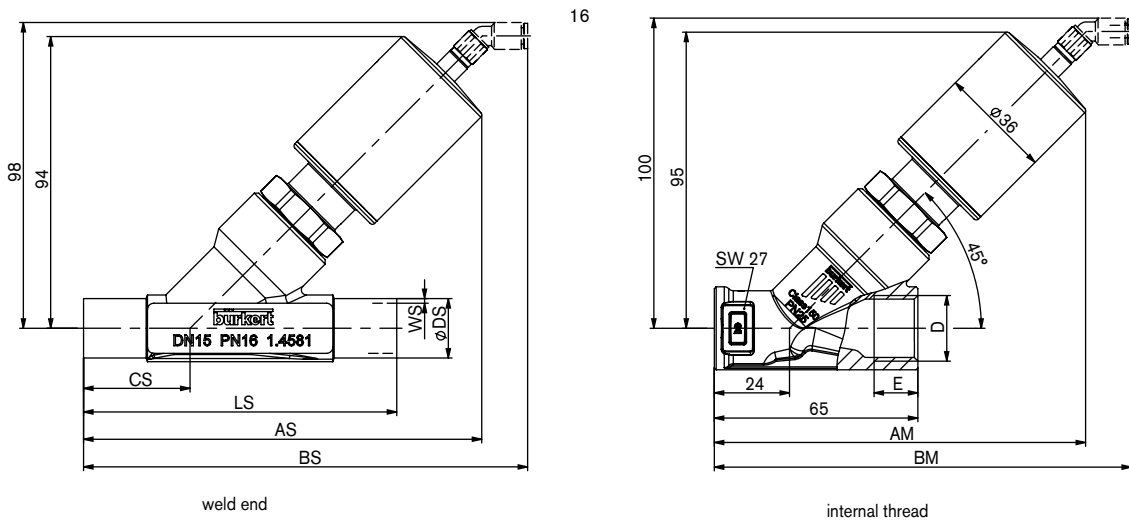
SIDEX
SUMINISTROS
INDUSTRIALES Y NAVALES

bürkert

Dimensions [mm]



Body DN	All threaded bodies			Internal threaded body						Welded body								
	CM	AM	BM	G-thread		NPT-thread		RC Thread		All welded bodies			ISO 4200 / Weld end EN ISO 1127		DIN 11850 R2		ASME BPE	
				D	E	D	E	D	E	CS	AS	BS	ØDS	WS	ØDS	WS	ØDS	WS
10	19	107	121	G 3/8	12	NPT 3/8	10.3	RC 3/8	10.1	26	115	129	17.2	1.6	13	1.5	12.7	1.65



Body DN	All threaded bodies		Internal threaded body						Welded body													
	AM	BM	G-thread		NPT-thread		RC Thread		ISO 4200, DIN 11850 R2				ISO 4200 / Weld end EN ISO 1127		DIN 11850 R2		ASME BPE					
			D	E	D	E	D	E	CS	LS	AS	BS	ØDS	WS	ØDS	WS	CS	LS	AS	BS	ØDS	WS
15	119	134	G 1/2	14	NPT 1/2	13.7	RC 1/2	13.2	34	100	128	142	21.3	1.6	19	1.5	46	135	146	161	12.7	1.65

To find your nearest Bürkert facility, click on the orange box →

www.burkert.com

In case of special application conditions, please consult for advice.

Subject to alteration
© Christian Bürkert GmbH & Co. KG

1301/3_EU-en_00895148

DTS 1000138710 EN Version: C Status: RL (released | freigegeben | validé) printed: 22.09.2017