

New additions catalog MGE 2017

1.0



SIDEX

R999000336 (2017-03)



New additions 2017 from the MGE and MPS product lines!

The new additions catalog provides a quick overview of the developments in the MGE and MPS field. It is a supplement for the existing catalogs until they are updated.

We have harmonized the color scheme with the consistent color concept of the cover caps (signal gray and ESD black).

The heavy-duty connector is a further advancement in the field of basic mechanical elements. Its ability to safely absorb high static and dynamic forces means that the basic mechanical elements can be used in applications that were previously only open to welded steel frames.

The ergonomic workstation design is facilitated with our new space-saving tool shelf. While a maximum of three suspension profiles could be mounted in a tool shelf previously, four suspension profiles can now be used at the same time.

You will find this and much more in our New additions catalog MGE/MPS 2017.

MGE

Cover caps - new color concept signal gray and ESD black	4
Profiles with closed slots	26
Heavy-duty connectors	28
Lifting wheel - rotatable pedal	29
Aluminum cable duct	30
Lock program	31
Manual height adjustment	39

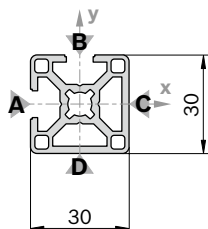
MPS

Tool shelf	41
Side plate	42
ESD armrest	43
System lamps	44
Mains cable	52
Tool holder TAPE 50 mm	54

Cover caps - new color concept

30x30 2NVS

A = 3,5 cm²
I_x = 3,1 cm⁴
I_y = 3,1 cm⁴
W_x = 2,0 cm³
W_y = 2,0 cm³
m = 1,0 kg/m

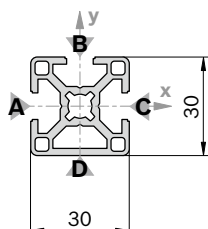


19181

Cover cap: See 30x30

30x30 3N

A = 3,3 cm²
I_x = 3,1 cm⁴
I_y = 2,8 cm⁴
W_x = 2,3 cm³
W_y = 2,1 cm³
m = 0,9 kg/m

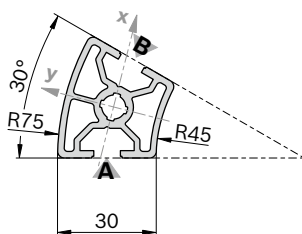


19182

Cover cap: See 30x30

30x30°

A = 3,7 cm²
I_x = 3,5 cm⁴
I_y = 3,6 cm⁴
W_x = 2,0 cm³
W_y = 1,9 cm³
m = 1,0 kg/m



19183

30x30 2NVS		L (mm)	No.
1 pc		50 ... 5600	3 842 992 398 / L
20 pcs		5600	3 842 506 949

Quick & Easy (p. 2-8; see fold-out section)

30x30 2NVS		3 842 993 706 / ...
Length L (mm)	50 ... 5600	
Standard profile finishes (note minimum length, p. Seite 2-16)	M8 / D7.8 / D11 / DB11	
Customized profile finishes (L _{max} = 4900 mm)	DI / DIS / MT / MTS / MI / MIS / DG ¹⁾	

¹⁾ DG_{max} = 45°; L_{min1} / L_{min2} = 352 / 404 mm

30x30 3N		L (mm)	No.
1 pc		50 ... 5600	3 842 992 400 / L
20 pcs		5600	3 842 506 951

Quick & Easy (p. 2-8; see fold-out section)

30x30 3N		3 842 993 707 / ...
Length L (mm)	50 ... 5600	
Standard profile finishes (note minimum length, p. Seite 2-16)	M8 / D7.8 / D11 / DB11	
Customized profile finishes (L _{max} = 4900 mm)	DI / DIS / MT / MTS / MI / MIS / DG ¹⁾	

¹⁾ DG_{max} = 45°; L_{min1} / L_{min2} = 352 / 404 mm

30x30°		L (mm)	No.
1 pc		50 ... 5600	3 842 993 010 / L
20 pcs		5600	3 842 524 031

Quick & Easy (p. 2-8; see fold-out section)

30x30°		3 842 993 708 / ...
Length L (mm)	50 ... 5600	
Standard profile finishes (note minimum length, p. Seite 2-16)	M8	
Customized profile finishes	—	

NEW	Cover cap	Color	ESD		No.
	30x30° (1x)	Signal gray		20	3 842 551 008
	30x30° (1x)	Black		20	3 842 551 009
	Material:	PP			

Cover caps - new color concept

30x45°

A = 4,0 cm²
 I_x = 3,6 cm⁴
 I_y = 5,1 cm⁴
 W_x = 2,1 cm³
 W_y = 2,3 cm³
 m = 1,1 kg/m

19184

30x45°		L (mm)	No.
1 pc		50 ... 5600	3 842 993 011 / L
20 pcs		5600	3 842 524 034

Quick & Easy (p. 2-8; see fold-out section)

30x45°		3 842 993 711 / ...
Length L (mm)	50 ... 5600	
Standard profile finishes (note minimum length, p. Seite 2-16)	M8	
Customized profile finishes	-	

NEW	Cover cap	Color	ESD	No.
	30x45° (1x)	Signal gray		20 3 842 551 010
	30x45° (1x)	Black		20 3 842 551 011
	Material:	PP		

30x60°

A = 3,6 cm²
 I_x = 3,0 cm⁴
 I_y = 4,1 cm⁴
 W_x = 1,7 cm³
 W_y = 1,9 cm³
 m = 1,0 kg/m

19185

30x60°		L (mm)	No.
1 pc		50 ... 5600	3 842 993 012 / L
20 pcs		5600	3 842 524 037

Quick & Easy (p. 2-8; see fold-out section)

30x60°		3 842 993 714 / ...
Length L (mm)	50 ... 5600	
Standard profile finishes (note minimum length, p. Seite 2-16)	M8	
Customized profile finishes	-	

NEW	Cover cap	Color	ESD	No.
	30x60° (1x)	Signal gray		20 3 842 551 012
	30x60° (1x)	Black		20 3 842 551 013
	Material:	PP		

30x30 R

A = 2,9 cm²
 I_x = 2,3 cm⁴
 I_y = 2,3 cm⁴
 W_x = 1,4 cm³
 W_y = 1,4 cm³
 m = 0,8 kg/m

19186

30x30 R		L (mm)	No.
1 pc		50 ... 5600	3 842 992 896 / L
20 pcs		5600	3 842 517 198

Quick & Easy (p. 2-8; see fold-out section)

30x30 R		3 842 993 709 / ...
Length L (mm)	50 ... 5600	
Standard profile finishes (note minimum length, p. 2-15)	M8 / DB11	
Customized profile finishes	-	

NEW	Cover cap	Color	ESD	No.
	30x30° (1x)	Signal gray		20 3 842 548 776
	30x30° (1x)	Black		20 3 842 548 777
	Material:	PP		

Cover caps - new color concept

30x60

A = 5,5 cm²
 I_x = 19,6 cm⁴
 I_y = 5,1 cm⁴
 W_x = 7,0 cm³
 W_y = 3,9 cm³
 m = 1,5 kg/m

19187

30x60	L (mm)	No.
1 pc	50 ... 5600	3 842 992 457 / L
1 pc M8	50 ... 5600	3 842 992 458 / L
1 pc M8 = M8	80 ... 5600	3 842 992 926 / L
1 pc D11	50 ... 5600	3 842 992 459 / L
1 pc D11 = D11	60 ... 5600	3 842 992 460 / L
1 pc D11 = D11V	60 ... 5600	3 842 992 463 / L
1 pc D11V = D11V	60 ... 5600	3 842 992 462 / L
10 pcs	5600	3 842 512 603

Profile finishing: M8: in all core holes
 D11: in slots B/F, C/E
 D11V: in slots A/D

Quick & Easy (p. 2-8; see fold-out section)

30x60	3 842 993 712 / ...
Length L (mm)	50 ... 5600
Standard profile finishes (note minimum length, p. Seite 2-16)	M8 / D7.8 / D11 / DB11
Customized profile finishes (L _{max} = 4900 mm)	DI / DIS / MT / MTS / MI / MIS / DG ¹⁾

¹⁾ DG_{max} = 45°; L_{min1} / L_{min2} = 404 / 508 mm

NEW	Cover cap	Color	ESD	No.
	30x30 (2x)	Signal gray	100	3 842 548 744
	30x60 (1x)	Signal gray	20	3 842 548 780
	30x30 (2x)	Black	20	3 842 548 745
	30x60 (1x)	Black	20	3 842 548 781
	Material:	PP		

NEW	Cover cap with hole	Color	ESD	No.
	30x30 (2x)	Signal gray	20	3 842 548 774
	30x30 (2x)	Black	20	3 842 548 775
	Material:	PP		

30x60 4N

A = 5,8 cm²
 I_x = 20,2 cm⁴
 I_y = 5,5 cm⁴
 W_x = 6,7 cm³
 W_y = 3,8 cm³
 m = 1,6 kg/m

19188

Cover cap: See 30x60

30x60 4N	L (mm)	No.
1 pc	50 ... 6000	3 842 993 420 / L
10 pcs	6070	3 842 536 472

Quick & Easy (p. 2-8; see fold-out section)

30x60 4N	3 842 993 713 / ...
Length L (mm)	50 ... 6000
Standard profile finishes (note minimum length, p. Seite 2-16)	M8 / D7.8 / D11 / DB11
Customized profile finishes (L _{max} = 5400 mm)	DI / DIS / MT / MTS / MI / MIS / DG ¹⁾

¹⁾ DG_{max} = 45°; L_{min1} / L_{min2} = 404 / 508 mm

30x60x60

A = 8,2 cm²
 I_x = 26,2 cm⁴
 I_y = 26,2 cm⁴
 W_x = 7,6 cm³
 W_y = 7,6 cm³
 m = 2,2 kg/m

19189

30x60x60	L (mm)	No.
1 pc	50 ... 5600	3 842 993 016 / L
20 pcs	5600	3 842 524 049

Quick & Easy (p. 2-8; see fold-out section)

30x60x60	3 842 993 715 / ...
Length L (mm)	50 ... 5600
Standard profile finishes (note minimum length, p. Seite 2-16)	M8 / D7.8 / D11 / DB11
Customized profile finishes (L _{max} = 4900 mm)	DI / DIS / MT / MTS / MI / MIS / DG ¹⁾

¹⁾ DG_{max} = 45°; L_{min1} / L_{min2} = 404 / 508 mm

NEW	Cover cap	Color	ESD	No.
	30x30 (3x)	Signal gray	100	3 842 548 744
	30x30 (3x)	Black	20	3 842 548 745
	Material:	PP		

Cover caps - new color concept

30x90

$A = 7,7 \text{ cm}^2$
 $I_x = 60,7 \text{ cm}^4$
 $I_y = 7,3 \text{ cm}^4$
 $W_x = 13,5 \text{ cm}^3$
 $W_y = 4,9 \text{ cm}^3$
 $m = 2,1 \text{ kg/m}$

19190

NEW	Cover cap	Color	ESD	No.
	30x30 (3x)	Signal gray	100	3 842 548 744
	30x30 (3x)	Black	20	3 842 548 745
	Material:	PP		

NEW	Cover cap with hole	Color	ESD	No.
	30x30 (3x)	Signal gray	20	3 842 548 774
	30x30 (3x)	Black	20	3 842 548 775
	Material:	PP		

30x120

$A = 9,9 \text{ cm}^2$
 $I_x = 136,3 \text{ cm}^4$
 $I_y = 9,6 \text{ cm}^4$
 $W_x = 22,7 \text{ cm}^3$
 $W_y = 6,4 \text{ cm}^3$
 $m = 2,7 \text{ kg/m}$

19191

NEW	Cover cap	Color	ESD	No.
	30x30 (4x)	Signal gray	100	3 842 548 744
	30x60 (2x)	Signal gray	20	3 842 548 780
	30x30 (4x)	Black	20	3 842 548 745
	30x60 (2x)	Black	20	3 842 548 781
	Material:	PP		

NEW	Cover cap with hole	Color	ESD	No.
	30x30 (4x)	Signal gray	20	3 842 548 774
	30x30 (4x)	Black	20	3 842 548 775
	Material:	PP		

30x90	L (mm)	No.
20 pcs	6070	3 842 541 937

Quick & Easy (p. 2-8; see fold-out section)

30x90	3 842 993 762 / ...
Length L (mm)	50 ... 6000
Standard profile finishes (note minimum length, p. Seite 2-16)	M8 / D7,8 (B,C,D,F,G,H) ¹⁾ / D11 (B,C,D,F,G,H) ¹⁾ / DB11
Customized profile finishes (L _{max} = 5400 mm)	DI / DIS / MT / MTS / MI / MIS / DG ²⁾

¹⁾ For the specified slots

²⁾ DG_{max} = 45°; L_{min1} / L_{min2} = 150 / 150 mm

30x120	L (mm)	No.
20 pcs	6070	3 842 541 939

Quick & Easy (p. 2-8; see fold-out section)

30x120	3 842 993 763 / ...
Length L (mm)	50 ... 6000
Standard profile finishes (note minimum length, p. Seite 2-16)	M8 / D7,8 (B,C,D,E, G,H,I,J) ¹⁾ / D11 (B,C,D,E, G,H,I,J) ¹⁾ / DB11
Customized profile finishes (L _{max} = 5400 mm)	DI / DIS / MT / MTS / MI / MIS / DG ²⁾

¹⁾ For the specified slots

²⁾ DG_{max} = 45°; L_{min1} / L_{min2} = 150 / 150 mm

Cover caps - new color concept

30x45

A = 4,0 cm²
 I_x = 8,1 cm⁴
 I_y = 3,9 cm⁴
 W_x = 3,9 cm³
 W_y = 2,9 cm³
 m = 1,1 kg/m

19192

NEW	Cover cap	Color	ESD	No.
	30x45 (1x)	Signal gray	20	3 842 548 778
	30x45 (1x)	Black	20	3 842 548 779
	Material:	PP		

NEW	Cover cap with hole	Color	ESD	No.
	30x45 (1x)	Black	20	3 842 531 220
	Material:	PA		

60x60 8N

A = 9,8 cm²
 I_x = 39,7 cm⁴
 I_y = 39,7 cm⁴
 W_x = 13,2 cm³
 W_y = 13,2 cm³
 m = 2,6 kg/m

19193

NEW	Cover cap	Color	ESD	No.
	60x60 8N (1x)	Signal gray	20	3 842 551 046
	60x60 8N (1x)	Black	20	3 842 551 047
	Material:	PP		

11x20

A = 1,0 cm²
 I_x = 0,5 cm⁴
 I_y = 0,1 cm⁴
 W_x = 0,7 cm³
 W_y = 0,3 cm³
 m = 0,3 kg/m

19194

NEW	Cover cap	Color	ESD	No.
	11x20 (1x)	Signal gray	20	3 842 551 044
	11x20 (1x)	Black	20	3 842 551 045
	Material:	PP		

30x45		L (mm)	No.
1 pc		50 ... 5600	3 842 992 430 / L
1 pc		50 ... 5600	3 842 992 431 / L
18 pcs		5600	3 842 511 704

Quick & Easy (p. 2-8; see fold-out section)

30x45	3 842 993 710 / ...
Length L (mm)	50 ... 5600
Standard profile finishes	M8 / D7,8 (A,C) ¹⁾ / D9,8 (B) ¹⁾ / D11 (A,C) ¹⁾ / DB11 / D17 (B) ¹⁾
Customized profile finishes (L _{max} = 5400 mm)	DI / DIS / MT / MTS / MI / MIS / DG ²⁾

¹⁾ For the specified slots

²⁾ DG_{max} = 45°; L_{min1} / L_{min2} = 378 / 456 mm

60x60 8N		L (mm)	No.
1 pc		50 ... 6000	3 842 993 033 / L
20 pcs		6070	3 842 535 176

Quick & Easy (p. 2-8; see fold-out section)

60x60 8N	3 842 993 669 / ...
Length L (mm)	50 ... 6000
Standard profile finishes	M8 / D7.8 / D11 / DB11 (note minimum length, p. Seite 2-16)
Customized profile finishes (L _{max} = 5400 mm)	DI / DIS / MT / MTS / MI / MIS / DG ²⁾

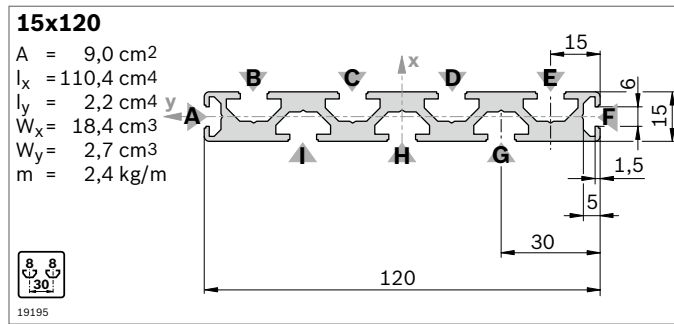
²⁾ DG_{max} = 45°; L_{min1} / L_{min2} = 404 / 508 mm

11x20		L (mm)	No.
1 pc		50 ... 2000	3 842 992 476 / L
10 pcs		2000	3 842 513 581

Quick & Easy (p. 2-8; see fold-out section)

11x20	3 842 993 688 / ...
Length L (mm)	50 ... 2000
Standard profile finishes	D7.8 / D11 (note minimum length, p. Seite 2-16)
Customized profile finishes	—

Cover caps - new color concept



15x120	L (mm)	No.
1 pc	50 ... 3000	3 842 993 078 / L
10 pcs	3000	3 842 537 821

Quick & Easy (p. 2-8; see fold-out section)

15x120	3 842 993 684 / ...
Length L (mm)	80 ... 3000
Standard profile finishes (note minimum length, p. Seite 2-16)	D7,8 (B,C,D,E,G,H,I) ¹⁾ / D11 (B,C,D,E,G,H,I) ¹⁾
Customized profile finishes (L _{max} = 2300 mm)	DI / DIS / MT / MTS / MI / MIS

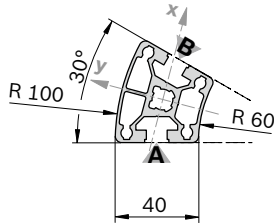
¹⁾ For the specified slots

Cover cap	Color	ESD	No.
15x120 (1x)	Signal gray	20	3 842 548 768
15x120 (1x)	Black	20	3 842 548 769
Material:	PP		

Cover caps - new color concept

40x30°

A = 6,2 cm²
 I_x = 9,4 cm⁴
 I_y = 11,8 cm⁴
 W_x = 4,7 cm³
 W_y = 5,9 cm³
 m = 1,7 kg/m



19205

40x30°		L (mm)	No.
1 pc		50 ... 6000	3 842 993 195 / L
12 pcs		6070	3 842 529 371

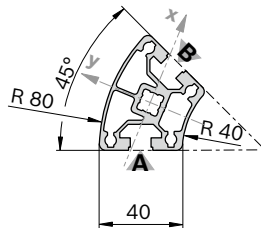
Quick & Easy (p. 2-8; see fold-out section)

40x30°	3 842 993 718 / ...
Length L (mm)	50 ... 6000
Standard profile finishes (note minimum length, p. Seite 2-25)	M12
Customized profile finishes	—

NEW	Cover cap	Color	ESD	No.
	40x30° (1x)	Signal gray		20 3 842 551 014
40x30° (1x)	Black		20 3 842 551 015	
Material:	PP			

40x45°

A = 6,8 cm²
 I_x = 9,9 cm⁴
 I_y = 16,6 cm⁴
 W_x = 5,0 cm³
 W_y = 8,3 cm³
 m = 1,8 kg/m



19206

40x45°		L (mm)	No.
1 pc		50 ... 6000	3 842 993 197 / L
12 pcs		6070	3 842 529 373

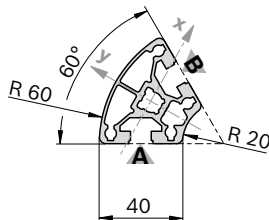
Quick & Easy (p. 2-8; see fold-out section)

40x45°	3 842 993 726 / ...
Length L (mm)	50 ... 6000
Standard profile finishes (note minimum length, p. Seite 2-25)	M12
Customized profile finishes	—

NEW	Cover cap	Color	ESD	No.
	45x45° (1x)	Signal gray		20 3 842 551 016
45x45° (1x)	Black		20 3 842 551 017	
Material:	PP			

40x60°

A = 6,3 cm²
 I_x = 8,7 cm⁴
 I_y = 13,1 cm⁴
 W_x = 4,3 cm³
 W_y = 6,5 cm³
 m = 1,7 kg/m



19207

40x60°		L (mm)	No.
1 pc		50 ... 6000	3 842 993 198 / L
12 pcs		6070	3 842 529 375

Quick & Easy (p. 2-8; see fold-out section)

40x60°	3 842 993 727 / ...
Length L (mm)	50 ... 6000
Standard profile finishes (note minimum length, p. Seite 2-25)	M12
Customized profile finishes	—

NEW	Cover cap	Color	ESD	No.
	40x60° (1x)	Signal gray		20 3 842 551 018
40x60° (1x)	Black		20 3 842 551 019	
Material:	PP			

Cover caps - new color concept

45x45L 3N

A = 6,2 cm²
 I_x = 12,6 cm⁴
 I_y = 11,7 cm⁴
 W_x = 5,4 cm³
 W_y = 5,2 cm³
 m = 1,7 kg/m

10 10
45

19426

Cover cap: see 45x45

45x30°

A = 6,9 cm²
 I_x = 12,7 cm⁴
 I_y = 15,2 cm⁴
 W_x = 5,0 cm³
 W_y = 5,3 cm³
 m = 1,9 kg/m

30°
R 112,5
R 67,5
45

10 10
45

19427

45x45L 3N		L (mm)	No.
1 pc		50 ... 5600	3 842 992 404 / L
20 pcs		5600	3 842 506 959

Quick & Easy (p. 2-8; see fold-out section)

45x45L 3N	3 842 993 741 / ...
Length L (mm)	50 ... 5600
Standard profile finishes (note minimum length, p. Seite 2-25)	M12 / D9.8 / D17 / DB17
Customized profile finishes (L _{max} = 4900 mm)	DI / DIS / MT / MTS / MI / MIS / DG ¹⁾

¹⁾ DG_{max} = 45°; L_{min1} / L_{min2} = 378 / 456 mm

45x30°		L (mm)	No.
1 pc		50 ... 5600	3 842 993 013 / L
20 pcs		5600	3 842 524 040

Quick & Easy (p. 2-8; see fold-out section)

45x30°	3 842 993 733 / ...
Length L (mm)	50 ... 5600
Standard profile finishes (note minimum length, p. Seite 2-25)	M12
Customized profile finishes	—

NEW	Cover cap	Color	ESD	No.
	45x30° (1x)	Signal gray		20 3 842 551 020
	45x30° (1x)	Black		20 3 842 551 021
	Material:	PP		

45x45°

A = 7,6 cm²
 I_x = 13,4 cm⁴
 I_y = 21,4 cm⁴
 W_x = 5,2 cm³
 W_y = 6,4 cm³
 m = 2,0 kg/m

45°
R 90
R 45
45

10 10
45

19428

45x45°		L (mm)	No.
1 pc		50 ... 5600	3 842 993 014 / L
20 pcs		5600	3 842 524 043

Quick & Easy (p. 2-8; see fold-out section)

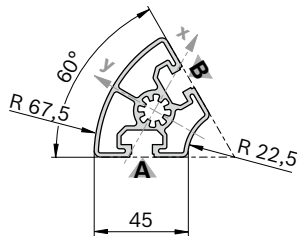
45x45°	3 842 993 735 / ...
Length L (mm)	50 ... 5600
Standard profile finishes (note minimum length, p. Seite 2-25)	M12
Customized profile finishes	—

NEW	Cover cap	Color	ESD	No.
	45x45° (1x)	Signal gray		20 3 842 551 022
	45x45° (1x)	Black		20 3 842 551 023
	Material:	PP		

Cover caps - new color concept

45x60°

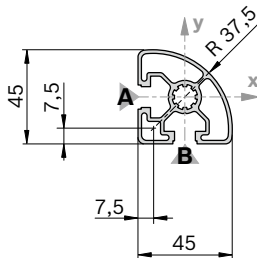
A = 6,8 cm²
I_x = 11,4 cm⁴
I_y = 16,9 cm⁴
W_x = 4,4 cm³
W_y = 5,2 cm³
m = 1,8 kg/m



Cover cap	Color	ESD	No.
45x60° (1x)	Signal gray	20	3 842 551 024
45x60° (1x)	Black	20	3 842 551 025
Material:	PP		

45x45L R

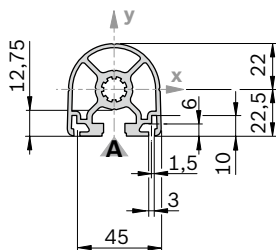
A = 4,9 cm²
I_x = 8,6 cm⁴
I_y = 8,6 cm⁴
W_x = 5,0 cm³
W_y = 5,0 cm³
m = 1,3 kg/m



Cover cap	Color	ESD	No.
45x45 R (1x)	Signal gray	20	3 842 548 800
45x45 R (1x)	Black	20	3 842 548 801
Material:	PP		

45x45 HR

A = 6,6 cm²
I_x = 11,0 cm⁴
I_y = 10,7 cm⁴
W_x = 4,4 cm³
W_y = 4,8 cm³
m = 1,8 kg/m



Cover cap	Color	ESD	No.
45x45 HR (1x)	Signal gray	20	3 842 548 798
45x45 HR (1x)	Black	20	3 842 548 799
Material:	PP		

45x60°	L (mm)	No.
1 pc	50 ... 5600	3 842 993 015 / L
20 pcs	5600	3 842 524 046

Quick & Easy (p. 2-8; see fold-out section)

45x60°	3 842 993 744 / ...
Length L (mm)	50 ... 5600
Standard profile finishes (note minimum length, p. Seite 2-25)	M12
Customized profile finishes	—

45x45L R	L (mm)	No.
1 pc	50 ... 5600	3 842 992 897 / L
20 pcs	5600	3 842 517 200

Quick & Easy (p. 2-8; see fold-out section)

45x45L R	3 842 993 742 / ...
Length L (mm)	50 ... 5600
Standard profile finishes (note minimum length, p. Seite 2-25)	M12 / DB17
Customized profile finishes	—

45x45 HR	L (mm)	No.
1 pc	50 ... 5600	3 842 992 945 / L
1 pc M12	60 ... 5600	3 842 993 001 / L
1 pc M12	110 ... 5600	3 842 992 999 / L
20 pcs	5600	3 842 525 505

Quick & Easy (p. 2-8; see fold-out section)

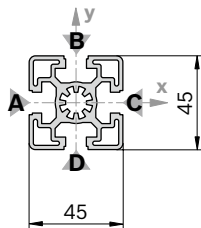
45x45 HR	3 842 993 736 / ...
Length L (mm)	50 ... 5600
Standard profile finishes (note minimum length, p. Seite 2-25)	M12 / DB17
Customized profile finishes	DI / DIS / MT / MTS / MI / MIS / DG ¹⁾

¹⁾ DG_{max} = 45°; L_{min1} / L_{min2} = 378 / 456 mm

Cover caps - new color concept

45x45

$A = 7,5 \text{ cm}^2$
 $I_x = 13,8 \text{ cm}^4$
 $I_y = 13,8 \text{ cm}^4$
 $W_x = 6,1 \text{ cm}^3$
 $W_y = 6,1 \text{ cm}^3$
 $m = 2,0 \text{ kg/m}$



19432

45x45

L (mm) No.

1 pc		50 ... 6000	3 842 990 520 / L
1 pc	M12	60 ... 6000	3 842 990 517 / L
1 pc	M12 M12	110 ... 6000	3 842 990 518 / L
1 pc	M12 M16	180 ... 6000	3 842 990 519 / L
1 pc	M12 D17	90 ... 6000	3 842 990 640 / L
1 pc	M16	120 ... 6000	3 842 990 521 / L
1 pc	M16 D17	170 ... 6000	3 842 990 642 / L
1 pc	D9,8 D9,8	70 ... 6000	3 842 992 969 / L
1 pc	D17	60 ... 6000	3 842 990 648 / L
1 pc	D17 D17	80 ... 6000	3 842 990 644 / L
1 pc	D17 D17V	80 ... 6000	3 842 990 646 / L
20 pcs		6070	3 842 553 614

Quick & Easy (p. 2-8; see fold-out section)

45x45	3 842 993 734 / ...
Length L (mm)	50 ... 6000
Standard profile finishes (note minimum length, p. Seite 2-25)	M12 / M16 / D9,8 / D17 / DB17
Customized profile finishes ($L_{\max} = 5400 \text{ mm}$)	DI / DIS / MT / MTS / MI / MIS / DG ¹⁾

¹⁾ $DG_{\max} = 45^\circ$; $L_{\min1} / L_{\min2} = 378 / 456 \text{ mm}$

Cover cap	Color	ESD	No.
45x45 (1x)	Signal gray	100	3 842 548 752
45x45 (1x)	Black	20	3 842 548 753
Material:	PP		

Cover cap with hole	Color	ESD	No.
45x45 (1x)	Signal gray	20	3 842 548 796
45x45 (1x)	Black	20	3 842 548 797
Material:	PP		

Cover caps - new color concept

60x60

A = 14,4 cm²
 I_x = 52,2 cm⁴
 I_y = 52,2 cm⁴
 W_x = 17,4 cm³
 W_y = 17,4 cm³
 m = 3,9 kg/m

10 10
160
19460

NEW	Cover cap	Color	ESD	No.
	60x60 (1x)	Signal gray	100	3 842 548 808
	60x60 (1x)	Black	100	3 842 548 809
	Material:	PP		

NEW	Cover cap with hole	Color	ESD	No.
	60x60 (1x)	Signal gray	20	3 842 548 810
	60x60 (1x)	Black	20	3 842 548 811
	Material:	PP		

60x90

A = 25,8 cm²
 I_x = 214,2 cm⁴
 I_y = 90,5 cm⁴
 W_x = 47,6 cm³
 W_y = 30,2 cm³
 m = 7,0 kg/m

10 10
160
19461

NEW	Cover cap	Color	ESD	No.
	60x90 (1x)	Signal gray	20	3 842 548 812
	60x90 (1x)	Black	20	3 842 548 813
	Material:	PP		

NEW	Cover cap with hole	Color	ESD	No.
	60x90 (1x)	Signal gray	20	3 842 551 050
	60x90 (1x)	Black	20	3 842 551 051
	Material:	PP		

Note: A quick connector cannot be used

60x60	L (mm)	No.
1 pc	50 ... 5600	3 842 990 350 / L
1 pc M12	60 ... 5600	3 842 990 351 / L
1 pc M12-M12	110 ... 5600	3 842 990 353 / L
1 pc M12-M16	180 ... 5600	3 842 990 354 / L
1 pc M12-D17	90 ... 5600	3 842 990 355 / L
1 pc M16	120 ... 5600	3 842 990 352 / L
1 pc M16-D17	170 ... 5600	3 842 990 373 / L
1 pc D17	50 ... 5600	3 842 990 370 / L
1 pc D17-D17	80 ... 5600	3 842 990 357 / L
1 pc D17-D17V	80 ... 5600	3 842 990 359 / L
20 pcs	5600	3 842 509 185

Quick & Easy (p. 2-8; see fold-out section)

60x60	3 842 993 668 / ...
Length L (mm)	50 ... 5600
Standard profile finishes (note minimum length, p. Seite 2-25)	M12 / M16 / D9,8 / D17 / DB17
Customized profile finishes (L _{max} = 4900 mm)	DI / DIS / MT / MTS / MI / MIS / DG ¹⁾

¹⁾ DG_{max} = 45°; L_{min} = 404 / 508 mm

60x90	L (mm)	No.
1 pc	50 ... 5600	3 842 990 450 / ...
1 pc M16	120 ... 5600	3 842 990 453 / ...
1 pc M16-M16	240 ... 5600	3 842 990 454 / ...
1 pc M16-D17	170 ... 5600	3 842 992 962 / ...
1 pc M16-D17V	170 ... 5600	3 842 992 963 / ...
1 pc M16-F2	170 ... 5600	3 842 990 472 / ...
1 pc D17-D17	80 ... 5600	3 842 990 097 / ...
1 pc D17-D17V	80 ... 5600	3 842 990 099 / ...
1 pc D17V-D17V	90 ... 5600	3 842 990 098 / ...
1 pc F1-F1	110 ... 5600	3 842 990 464 / ...
1 pc F1-F1V	110 ... 5600	3 842 990 481 / ...
1 pc F2-F2	110 ... 5600	3 842 990 478 / ...
10 pcs	5600	3 842 509 183

Profile finishing: D17: in slots B/F, C/E
 D17V: in slots A/D

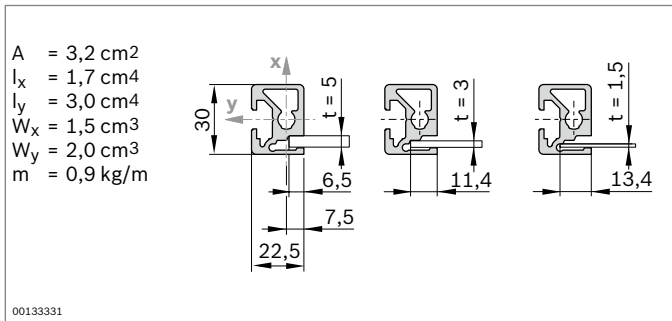
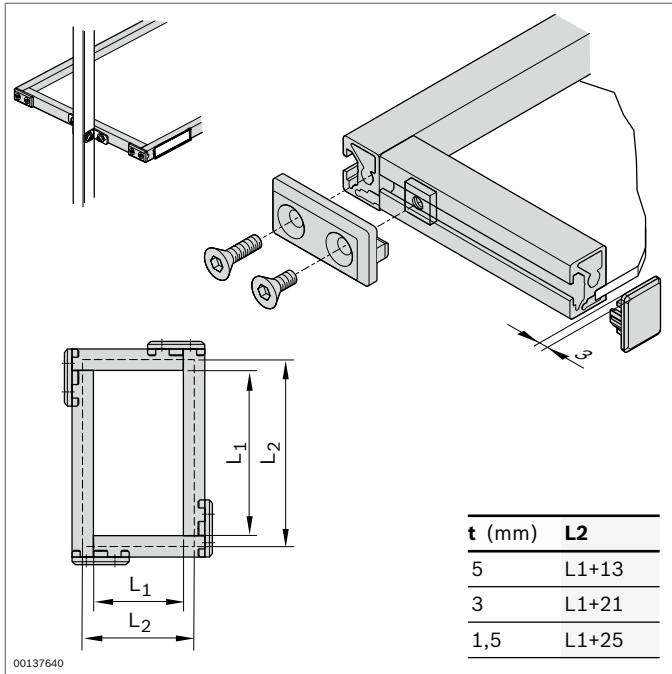
Quick & Easy (p. 2-8; see fold-out section)

60x90	3 842 993 671 / ...
Length L (mm)	50 ... 5600
Standard profile finishes (note minimum length, p. Seite 2-25)	M16 / D9,8 / D17 / DB17 / F1 (A, D) ¹⁾
Customized profile finishes (L _{max} = 4900 mm)	DI / DIS / MT / MTS / MI / MIS / DG ¹⁾

¹⁾ For the specified slots

¹⁾ DG_{max} = 45°; L_{min} = 456 / 612 mm

Cover caps - new color concept



Frame profile 22.5x30



- ▶ For inexpensive construction of trays and material shelves
- ▶ Surface elements are mounted under tension so that they do not rattle

Optional accessories:

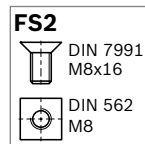
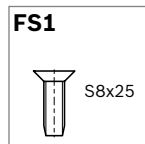
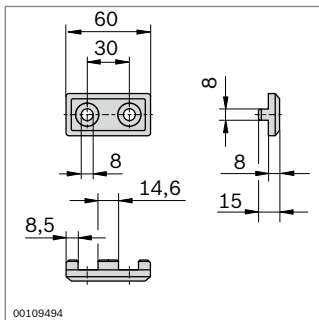
- ▶ Bracket set M6 (p. 3-28)
- ▶ Swivel fastening (p. 4-10)
- ▶ Lettering clip for 8 mm slot (p. 2-84)
- ▶ Plate (p. 2-60)

Frame profile 22.5x30	Groove	L (mm)	No.
1 pc	8	50 ... 5600	3 842 992 493 / L
20 pcs	8	5600	3 842 515 229

Material: aluminum, anodized

Cover cap	Color	ESD	No.
22.5x30	Signal gray	20	3 842 551 564
22.5x30	Black	20	3 842 551 565

Material: PP



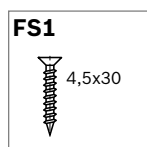
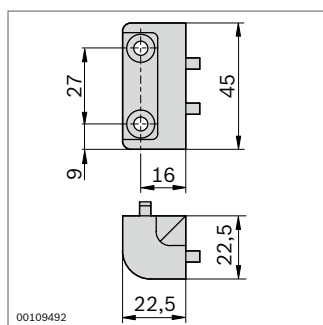
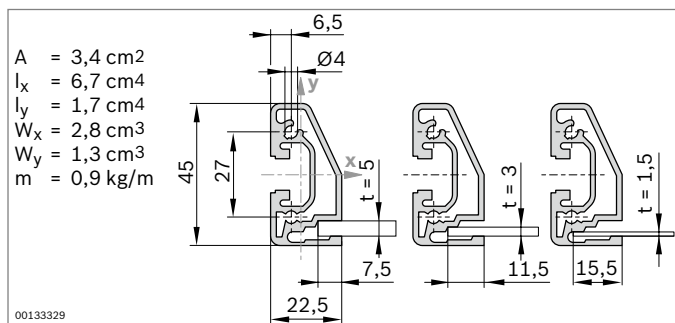
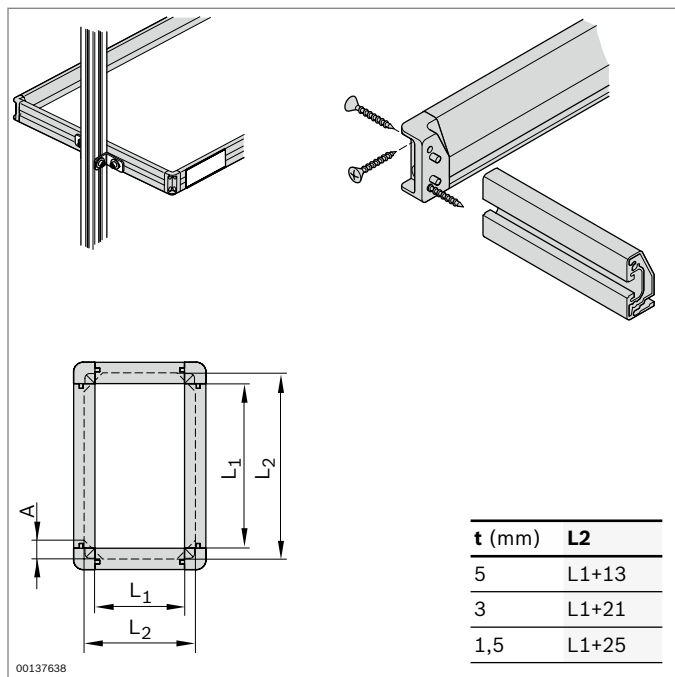
Corner piece for frame profile 22.5x30

- ▶ For the right-angled connection of two 22.5x30 frame profiles
- ▶ Profile machining not required

Corner piece	Color	ESD	No.	FS
	Signal gray	20	3 842 554 708	FS1, FS2
	Black	20	3 842 554 709	FS1, FS2

Material: PA
 Scope of delivery: incl. fastening material (FS)

Cover caps - new color concept



Frame profile 22.5x45



- ▶ For inexpensive construction of trays and material shelves
- ▶ Surface elements are mounted under tension so that they do not rattle

Optional accessories:

- ▶ Bracket set (p. 3-30)
- ▶ Swivel fastening (p. 4-10)
- ▶ Lettering clip for 10 mm slot (p. 2-84)
- ▶ Plate (p. 2-60)

Frame profile 22.5x45	Groove	L (mm)	No.
1 pc	10	50 ... 5600	3 842 992 411 / L
20 pcs	10	5600	3 842 508 102

Material: aluminum, anodized

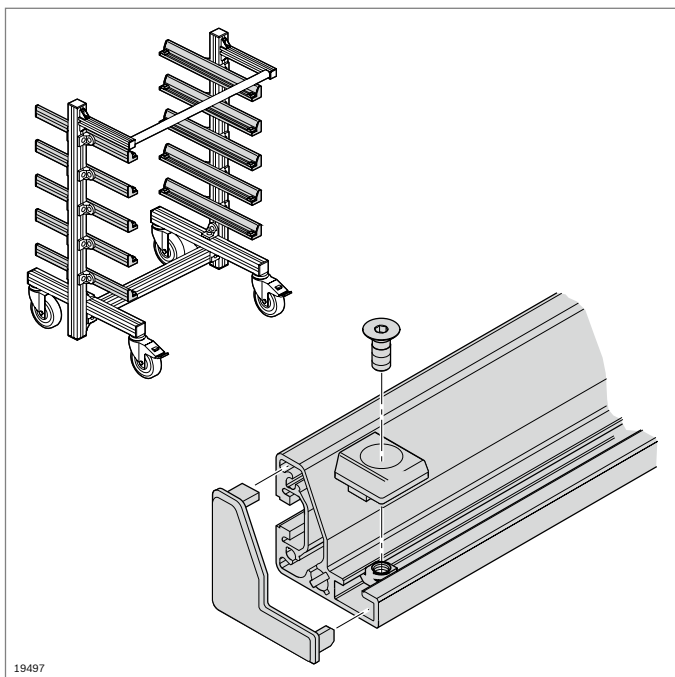
Corner piece for frame profile 22.5x45

- ▶ For the right-angled connection of two 22.5x45 frame profiles
- ▶ Profile machining not required

Corner bracket	ESD	No.	FS
	20	3 842 535 637	4xFS1

Material: diecast zinc
Scope of delivery: incl. fastening material (FS)

Cover caps - new color concept



19497

$A = 4,5 \text{ cm}^2$
 $I_x = 8,8 \text{ cm}^4$
 $I_y = 6,9 \text{ cm}^4$
 $W_x = 3,2 \text{ cm}^3$
 $W_y = 2,3 \text{ cm}^3$
 $m = 1,2 \text{ kg/m}$

00125101

00125100

FS1

DIN7991
M6x16

Angle profile



- ▶ For supporting containers, plates, or workpiece pallets in flow racks, material shuttles, or hopper stackers

Accessories:
Bracket R40x43 (p. 3-29)

Angle profile	L (mm)	No.
1 pc	50 ... 5600	3 842 992 412 / L
20 pcs	5600	3 842 508 104

Material: aluminum, anodized

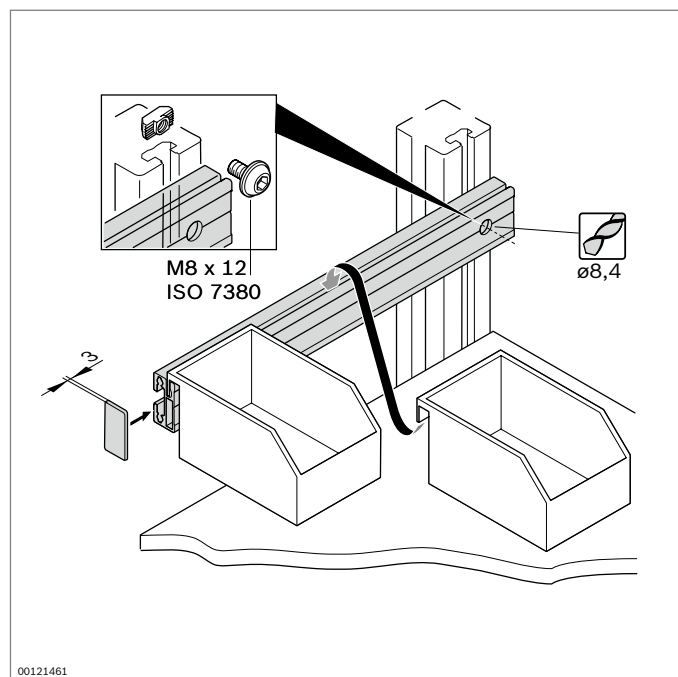
Stopper and cover cap

- ▶ The stopper prevents containers from shifting on the angle profile
- ▶ Cover cap to prevent injuries at open profile ends
- ▶ Attractive design

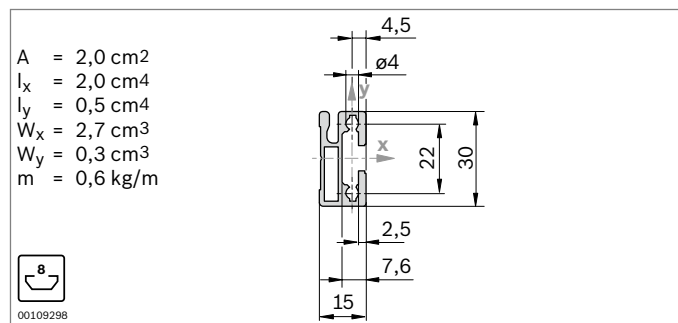
NEW	Stopper, cover cap	Color	ESD	No.	FS
	Set	Signal gray		20 3 842 554 490	2xFS1
	Set	Black	ESD	20 3 842 554 491	2xFS1

Material: PA
Fastening material: steel, galvanized
Scope of delivery: incl. fastening material (FS)

Cover caps - new color concept



00121461



00109298

NEW	Cover cap	Color	ESD	No.
	15x30	Signal gray	20	3 842 551 582
	15x30	Black	20	3 842 551 583
	Material:	PP		

Suspension profile



- For the fast, secure suspension of grab containers, grab ledges, grab trays, and tool holders
- Profile finishing: through-hole for screwdriver
- Matching grab containers in the Manual Production Systems catalog (**3 842 538 280**)

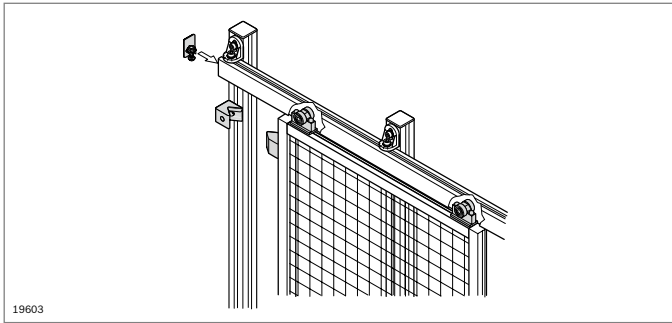
Required accessories:

- Screw
- T-nut (p. 3-4)

Suspension profile	L (mm)	ESD	No.
1 pc	50 ... 3000		3 842 993 411 / L
10 pcs	3000		3 842 537 679
1 pc	50 ... 3000		3 842 993 359 / L
10 pcs	3000		3 842 537 681

Material: Suspension profile: aluminum, anodized
 ESD suspension profile: aluminum, transparent chromated

Cover caps - new color concept



19603

$A = 4,4 \text{ cm}^2$
 $I_x = 10,3 \text{ cm}^4$
 $I_y = 5,6 \text{ cm}^4$
 $W_x = 4,2 \text{ cm}^3$
 $W_y = 3,7 \text{ cm}^3$
 $m = 1,2 \text{ kg/m}$

10

30348

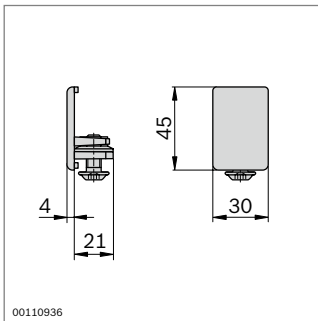
Profile rail, trolley

- Profile rail and trolley for movable mounting of parts, e.g. for use as a screwdriver hanger at work tables or for EcoSafe sliding doors (p. 10-14)

Accessories:
See page 12-4

Profile rail 30x45C	L (mm)	No.
1 pc	50 ... 5600	3 842 992 946 / L
20 pcs	5600	3 842 523 598

Material: aluminum, anodized



FS1

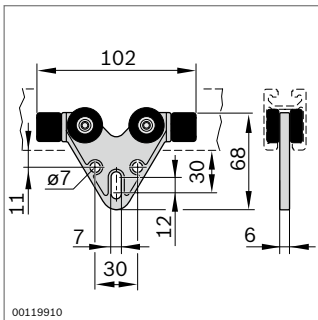
M8x20
M8

End piece

- Profile rail end piece for use for trolley as a cover cap with stop
- With screw protection

NEW	End piece 30x45C	Color	ESD	No.	FS
		Signal gray		20	3 842 554 710
	Black		20	3 842 554 711	FS1

Material: End piece: PA
Fastening material: steel, galvanized
Scope of delivery: incl. fastening material (FS)

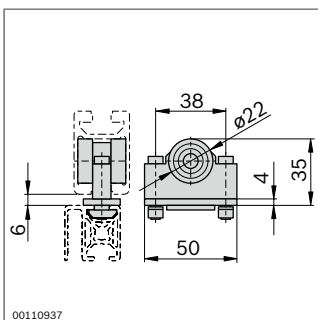


Trolley

- Trolley with ring, e.g. for suspending a spring hook

Trolley for profile rail 30x45C	No.
	3 842 521 510

Material: injection molded plastic



FS2

DIN 4762
M5x30
A 6,4

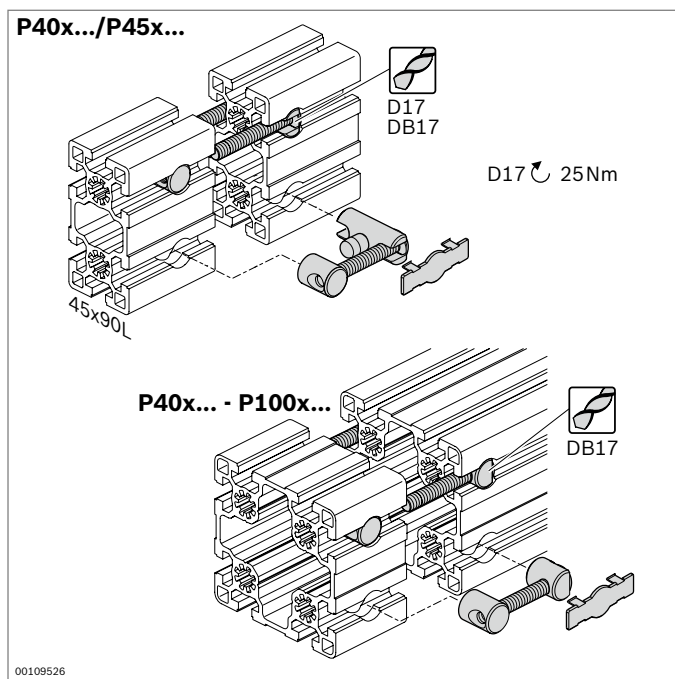
Trolley

- Trolley with dust-proof ball bearings for smooth movement
- For fastening profiles with a 8 mm slot

Trolley	No.	FS
	3 842 524 153	FS2

Material: PA, black
Scope of delivery: incl. fastening material (FS)
delivery:

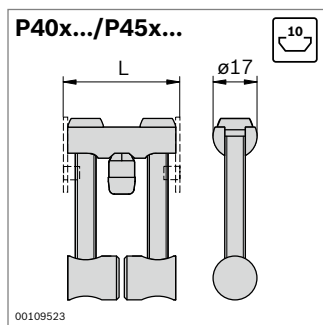
Cover caps - new color concept



Longitudinal end connector



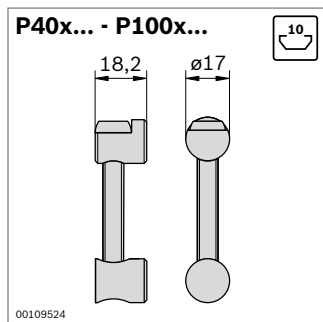
- ▶ For the end-to-end connecting of two profiles
- ▶ Standard profile finishes:
 - through-hole D17 (longitudinal end connector on both sides)
 - blind hole DB17 or through-hole D17 (longitudinal end connector on one side)



NEW	Longitudinal end connector, two-sided	L (mm)	ESD	No.
	Profile 40x...	40		3 842 554 442
	Profile 45x...	45		3 842 554 440

Material: Longitudinal end connector: screw steel, galvanized
 Centering pin, caps: PP, signal gray
 *Longitudinal end connector creates conductive connection, but the cover caps included in the set are not ESD-compatible.

Scope of delivery: incl. 4 x cover cap

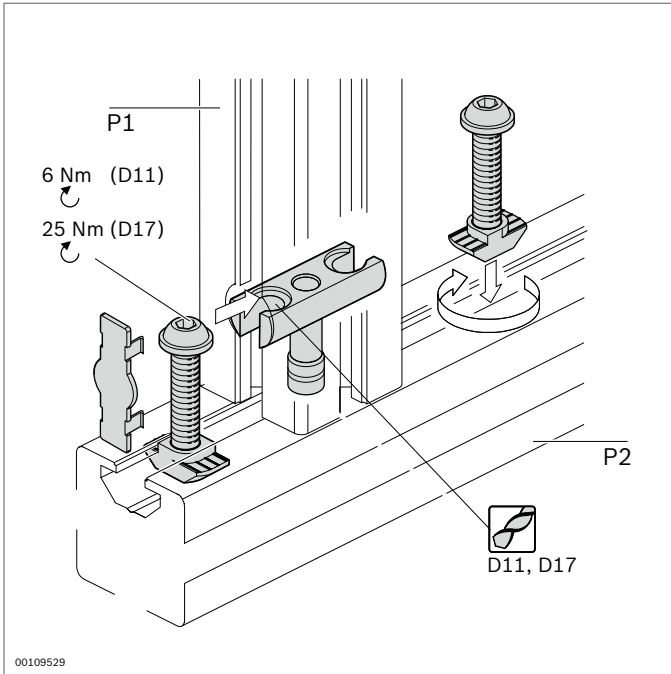


NEW	Longitudinal end connector, one-sided	ESD	No.
	Profile 40x... - 100x...		3 842 554 444

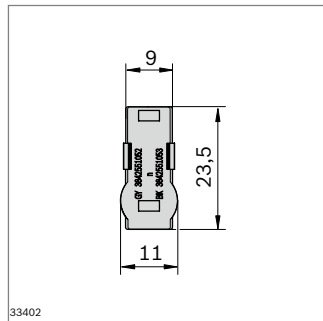
Material: Longitudinal end connector: screw steel, galvanized
 Centering pin, caps: PP, signal gray
 *Longitudinal end connector creates conductive connection, but the cover caps included in the set are not ESD-compatible.

Scope of delivery: incl. 2 x cover cap

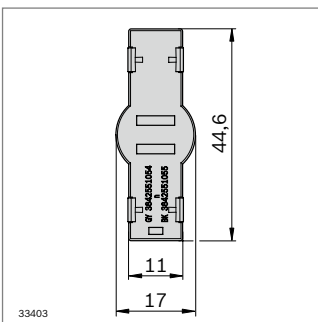
Cover caps - new color concept



00109529



33402



33403

Bolt connector



- ▶ For the right-angled connecting of two profiles
- ▶ Suitable for heavy loads, including torsional loads
- ▶ Can be mounted in closed frames
- ▶ Profile finishing: through-hole D11, D17

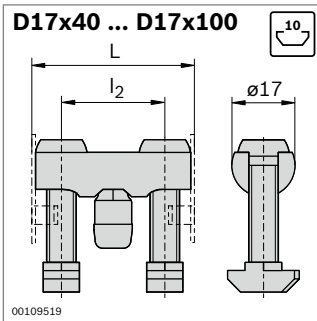
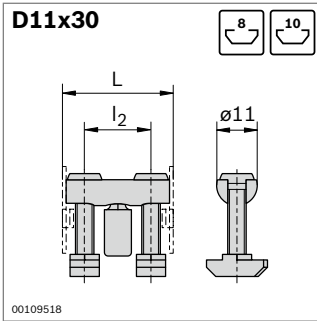
Technical data (p. 19-7)

Accessories:
Drilling jig (p. 14-2)

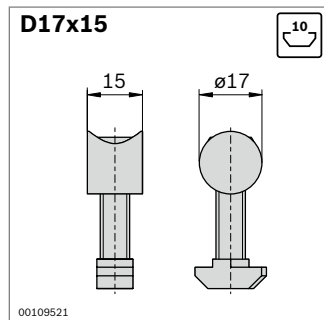
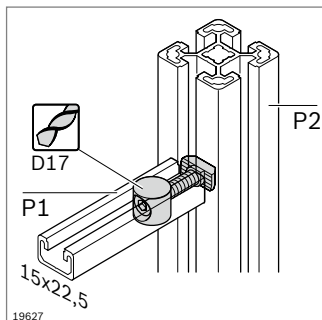
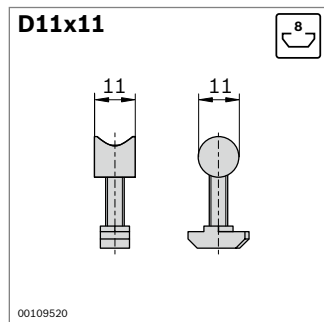
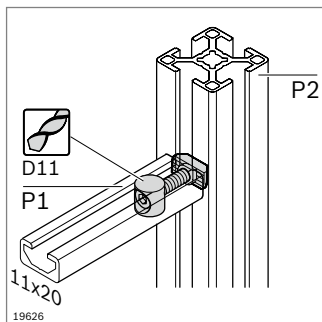
	Cover cap	Color	ESD	No.
NEW	D11 x 23.5	Signal gray		100 3 842 551 052
	D11 x 23.5	Black	⚡	100 3 842 551 053
	Material:	PP		

	Cover cap	Color	ESD	No.
NEW	D17 x 44.6	Signal gray		100 3 842 551 054
	D17 x 44.6	Black	⚡	100 3 842 551 055
	Material:	PP		

Cover caps - new color concept



Size			
30	2500 N	60 Nm	20 Nm
40	4000 N	180 Nm	40 Nm
45	4000 N	180 Nm	60 Nm
50	4000 N	200 Nm	65 Nm



NEW	Bolt connector	P1 / P2	L (mm)	l ₂ (mm)	ESD	No.
	D11x30	8 / 8	30	18	⚡*	10
	8 / 10	30	18	⚡*	10	3 842 555 590

Material: Bolt connector: steel, galvanized
Centering pin, caps: PP, signal gray
*Bolt connector creates conductive connection, but the cover caps included in the set are not ESD-compatible.

Scope of delivery: incl. 2 x cover caps

NEW	Bolt connector	P1 / P2	L (mm)	l ₂ (mm)	ESD	No.
	D17x40	10 / 10	40	23	⚡*	10
D17x45	10 / 10	45	28	⚡*	10	3 842 555 584
D17x50	10 / 10	50	33	⚡*	10	3 842 555 596
D17x60	10 / 10	60	43	⚡*	10	3 842 555 586
D17x80	10 / 10	80	63	⚡*	10	3 842 555 598
D17x90	10 / 10	90	73	⚡*	10	3 842 555 588
D17x100	10 / 10	100	83	⚡*	10	3 842 555 592

Material: Bolt connector: steel, galvanized
Centering pin, caps: PP, signal gray
*Bolt connector creates conductive connection, but the cover caps included in the set are not ESD-compatible.

Scope of delivery: incl. 2 x cover caps

Size			
60	4000 N	200 Nm	80 Nm
80	5000 N	800 Nm	170 Nm
90	5000 N	800 Nm	200 Nm
100	5000 N	1000 Nm	480 Nm

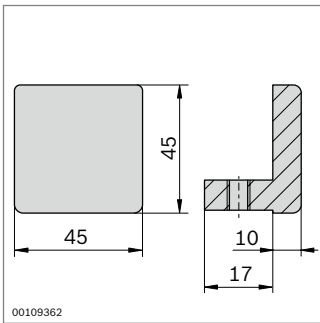
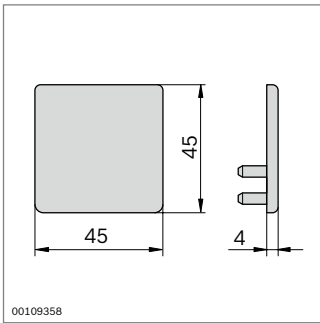
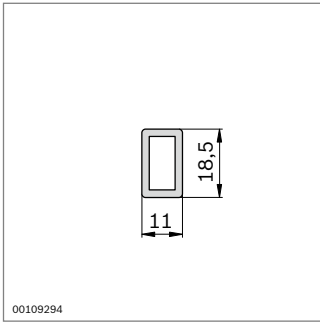
Bolt connector	P1 / P2	ESD	No.
D11x11	8 / 8	⚡	10 3 842 535 617

Material: steel, galvanized

Bolt connector	P1 / P2	ESD	No.
D17x15	10 / 10	⚡	10 3 842 535 619

Material: steel, galvanized

Cover caps - new color concept



Insertion profile	L (mm)	ESD	No.
	3000	10	3 842 146 902

Material: PA, black

Cover cap

- ▶ As a design element and to prevent injuries

NEW	Cover cap	Color	ESD	No.
			Signal gray	20

Material: PP

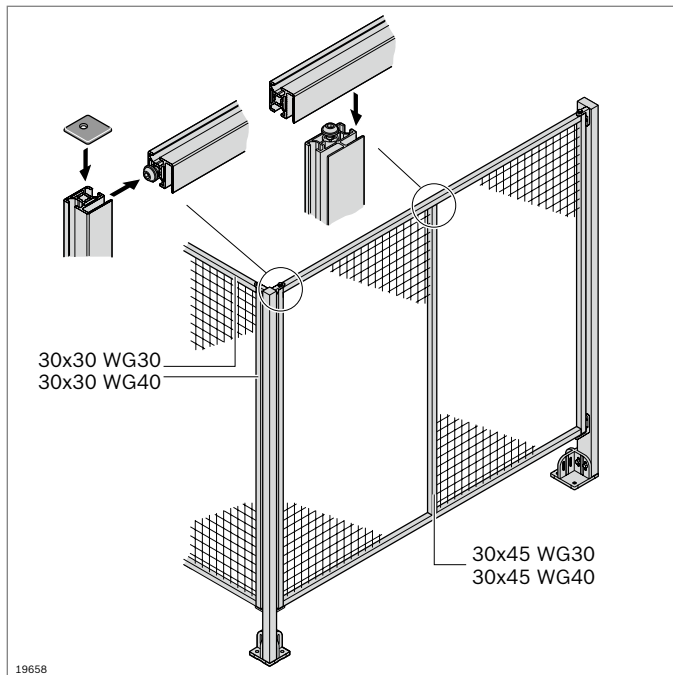
End piece

- ▶ For use as a stop for sliding elements
- ▶ Clamping with setscrew in the profile slot

End piece	ESD	No.	FS
	20	3 842 191 194	FS1

Material: Aluminum, die-cast
 Scope of delivery: incl. fastening material (FS)

Cover caps - new color concept



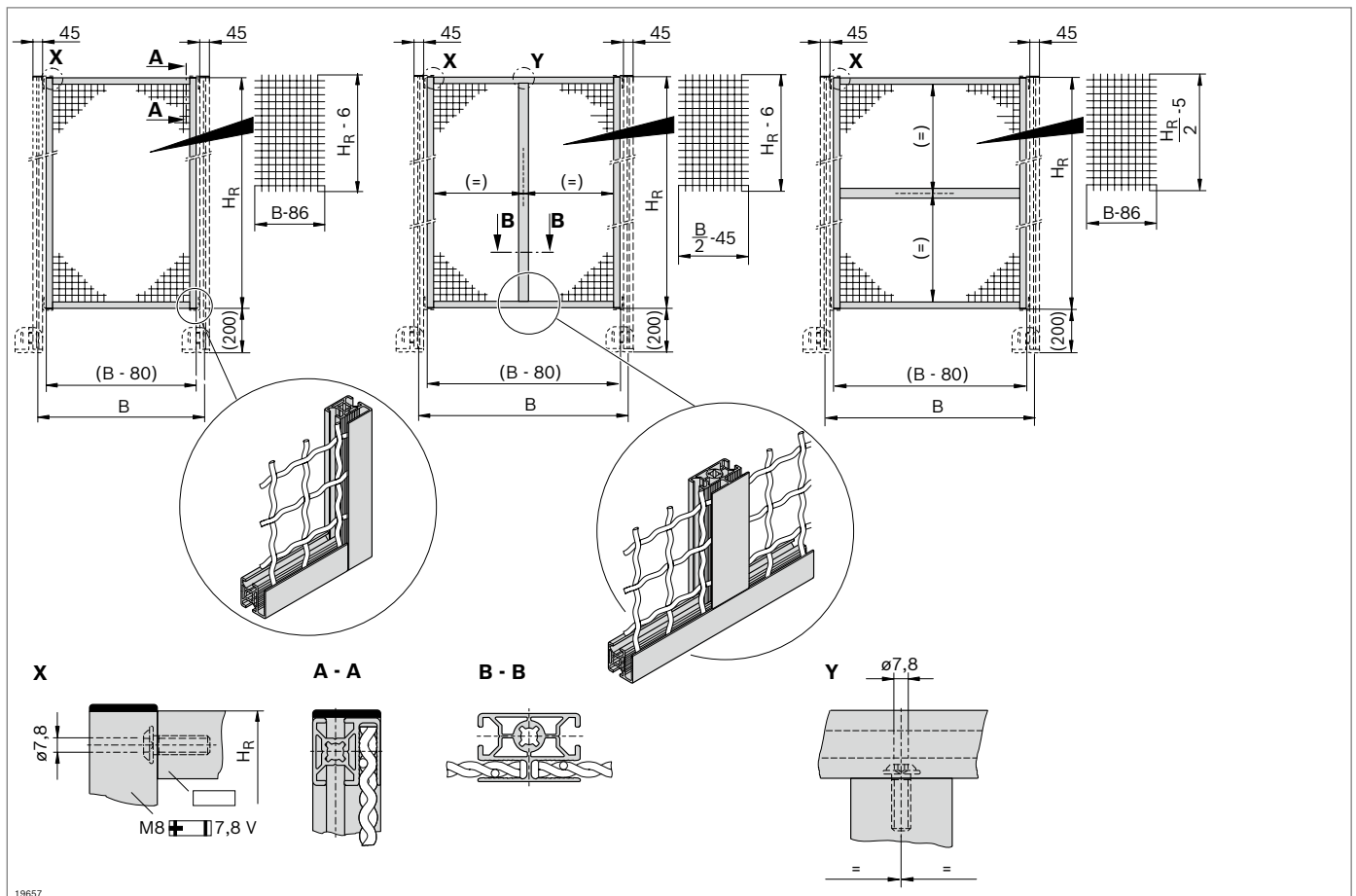
Protective grille profiles



- ▶ For the low-cost construction of protective barriers with woven wire grilles WG30 and WG40
- ▶ Fastening of woven wire grilles: directly in the special profile slot
- ▶ Fastening of surface elements: in the special profile slot using spring clamping elements (accessories)
- ▶ The profiles are connected using a central bolt (profile machining required)
- ▶ Modular dimension "B" relates to 45x45 supports

Required accessories:

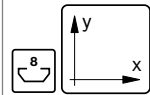
- ▶ Central bolt (p. 3-38)
- ▶ Woven wire grille (p. 24)
- ▶ Spring clamping elements (p. 24)



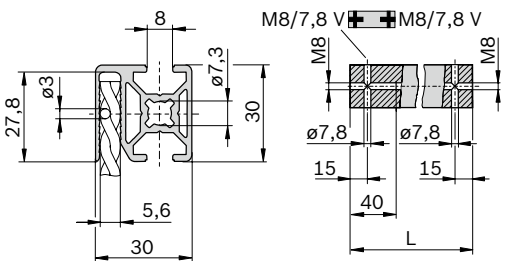
Cover caps - new color concept

30x30 WG30

A = 3,2 cm²
 I_x = 2,5 cm⁴
 I_y = 3,0 cm⁴
 W_x = 1,6 cm³
 W_y = 1,9 cm³
 m = 0,9 kg/m



00109305

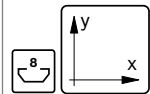


Protective grille profile		L (mm)	No.
30x30 WG30			
1 pc		100 ... 5600	3 842 992 970 / L
1 pc	M8/7,8V	100 ... 5600	3 842 992 977 / L
20 pcs		5600	3 842 522 462

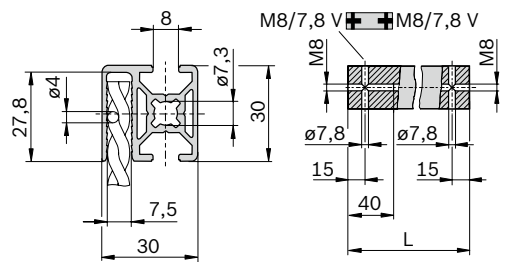
Material: aluminum, anodized

30x30 WG40

A = 3,2 cm²
 I_x = 2,4 cm⁴
 I_y = 2,9 cm⁴
 W_x = 1,5 cm³
 W_y = 1,8 cm³
 m = 0,9 kg/m



00109303

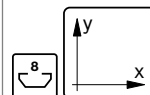


Protective grille profile		L (mm)	No.
30x30 WG40			
1 pc		100 ... 5600	3 842 992 972 / L
1 pc	M8/7,8V	100 ... 5600	3 842 992 978 / L
20 pcs		5600	3 842 522 464

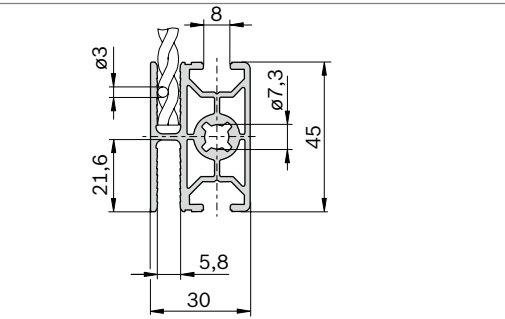
Material: aluminum, anodized

30x45 WG30

A = 4,5 cm²
 I_x = 7,3 cm⁴
 I_y = 4,2 cm⁴
 W_x = 3,2 cm³
 W_y = 2,7 cm³
 m = 1,2 kg/m



00109306

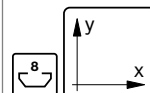


Protective grille profile		L (mm)	No.
30x45 WG30			
1 pc		100 ... 5600	3 842 992 971 / L
20 pcs		5600	3 842 522 463

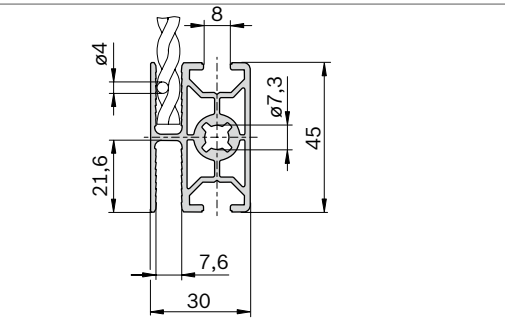
Material: aluminum, anodized

30x45 WG40

A = 4,5 cm²
 I_x = 6,9 cm⁴
 I_y = 4,1 cm⁴
 W_x = 4,3 cm³
 W_y = 1,8 cm³
 m = 1,2 kg/m

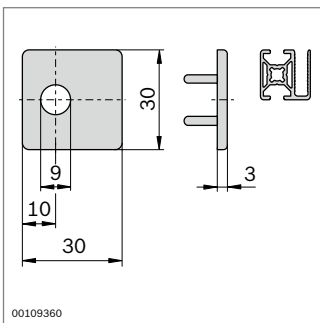


00109304



Protective grille profile		L (mm)	No.
30x45 WG40			
1 pc		100 ... 5600	3 842 992 973 / L
20 pcs		5600	3 842 522 465

Material: aluminum, anodized



00109360

- Cover cap for a more attractive appearance and to prevent injuries

NEW	Cover cap 30x30	Color	ESD	No.
			Signal gray	20

Material: PP

Profiles with closed slots

40x80L 2NVS

A = 10,6 cm²
 I_x = 67,8 cm⁴
 I_y = 19,0 cm⁴
 W_x = 17,0 cm³
 W_y = 9,5 cm³
 m = 2,9 kg/m

33093

Cover cap: See 40x40

40x80L 2N

A = 10,9 cm²
 I_x = 66,6 cm⁴
 I_y = 20,8 cm⁴
 W_x = 16,6 cm³
 W_y = 10,4 cm³
 m = 2,9 kg/m

33094

Cover cap: See 40x40

80x80L 4N

A = 19,3 cm²
 I_x = 142,5 cm⁴
 I_y = 142,5 cm⁴
 W_x = 35,6 cm³
 W_y = 35,6 cm³
 m = 5,2 kg/m

33095

40x80 L 2NVS		L (mm)	No.
	12 pcs		6070 3 842 555 649

Quick & Easy (p. 2-8; see fold-out section)

40x80 L 2NVS		3 842 993 767 / ...
Length L (mm)	50 ... 6000	
Standard profile finishes (note minimum length, p. <?>)	M12 / D9,8 / D17 / DB17	
Customized profile finishes (L _{max} = 5400 mm)	DI / DIS / MT / MTS / MI / MIS / DG ¹⁾	

¹⁾ DG_{max} = 45°; L_{min1} / L_{min2} = 439 / 578 mm

40x80L 2N		L (mm)	No.
	12 pcs		6070 3 842 555 650

Quick & Easy (p. 2-8; see fold-out section)

40x80L 2N		3 842 993 768 / ...
Length L (mm)	50 ... 6000	
Standard profile finishes (note minimum length, p. <?>)	M12 / D9,8 / D17 / DB17	
Customized profile finishes (L _{max} = 5400 mm)	DI / DIS / MT / MTS / MI / MIS / DG ¹⁾	

¹⁾ DG_{max} = 45°; L_{min1} / L_{min2} = 439 / 578 mm

80x80L 4N		L (mm)	No.
	6 pcs		6070 3 842 555 651

Quick & Easy (p. 2-8; see fold-out section)

80x80L 4N		3 842 993 769 / ...
Length L (mm)	50 ... 6000	
Standard profile finishes (note minimum length, p. <?>)	M12 / D9,8 / D17 / DB17	
Customized profile finishes (L _{max} = 5400 mm)	DI / DIS / MT / MTS / MI / MIS / DG ¹⁾	

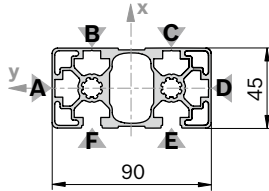
¹⁾ DG_{max} = 45°; L_{min1} / L_{min2} = 439 / 578 mm

NEW	Cover cap	Color	ESD		No.
	80x80 (1x)	Signal gray	20		3 842 548 750
	80x80 (1x)	Black	20		3 842 548 751
	Material:	PP			


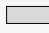
Profiles with closed slots

45x90L 2NVS

$A = 12,1 \text{ cm}^2$
 $I_x = 25,9 \text{ cm}^4$
 $I_y = 90,6 \text{ cm}^4$
 $W_x = 5,7 \text{ cm}^3$
 $W_y = 40,3 \text{ cm}^3$
 $m = 3,3 \text{ kg/m}$





33096



45x90L 2NVS		L (mm)	No.
	12 pcs		6070 3 842 555 652

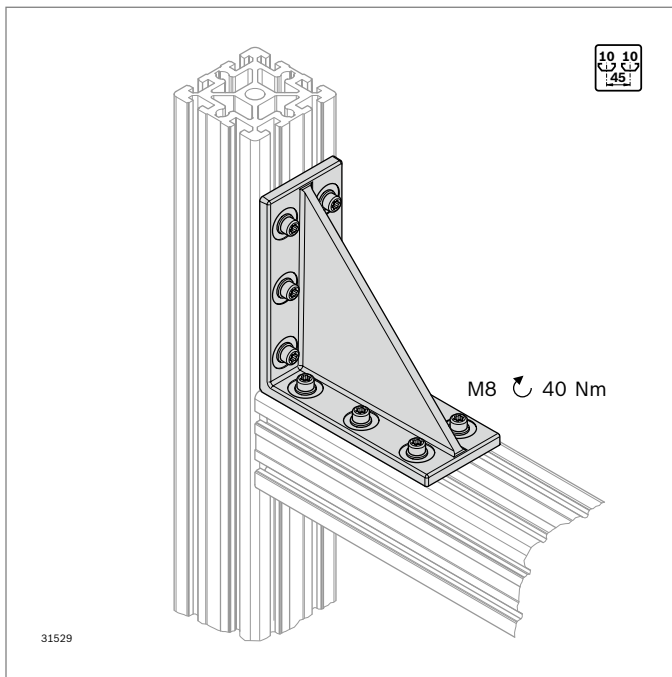
Quick & Easy (p. 2-8; see fold-out section)

45x90L 2NVS	3 842 993 770 / ...
Length L (mm)	50 ... 6000
Standard profile finishes (note minimum length, p. <?>)	M12 / D9,8 / D17 / DB17
Customized profile finishes ($L_{max} = 5400 \text{ mm}$)	DI / DIS / MT / MTS / MI / MIS / DG ¹⁾

¹⁾ $DG_{max} = 45^\circ$; $L_{min1} / L_{min2} = 456 / 612 \text{ mm}$

NEW	Cover cap	Color	ESD		No.
		45x90 (1x)	Signal gray		20
	45x90 (1x)	Black		20	3 842 548 757
	Material:	PP			

NEW	Cover cap with hole	Color	ESD		No.
		45x90 (1x)	Signal gray		20
	45x90 (1x)	Black		20	3 842 548 805
	Material:	PP			

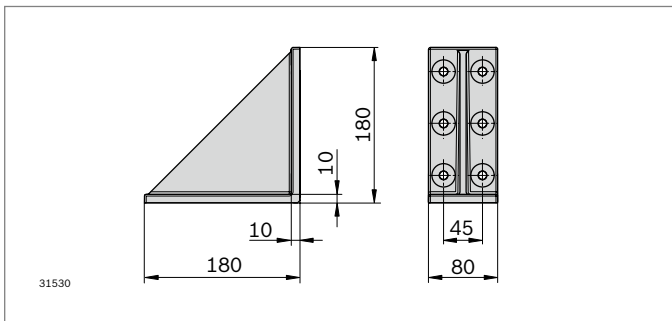


Heavy-duty connector 180x180 dynamic load



- ▶ Heavy-duty connector for reliable absorption of high forces
- ▶ Can be used for both static and dynamic forces
- ▶ Connection possible in any position
- ▶ Profile finishing: not required
- ▶ Calculation program for static and dynamic forces included in MTpro planning software
- ▶ Focus profile: 90x90, 90x180, 90x360

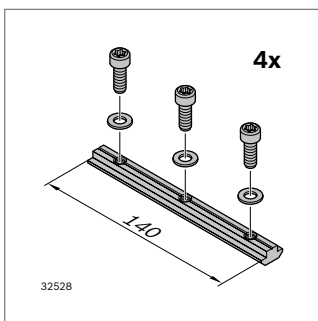
Required accessories:
Mounting kit



180/180	Groove	ESD	No.
	10		3 842 555 616

Material: Galvanized cast iron
Scope of delivery: Bracket

Type		F_{max}	M_{max}	M_{max}	M_{max}
180/180		30000 N	5600 Nm	5600 Nm	1400 Nm



Mounting kit

- ▶ For connecting a heavy-duty angle to a profile
- ▶ Set consists of 4 sliding blocks and 12 screws with washers

Mounting kit	Groove	M	ESD	No.
	10	8		3 842 548 955

Material: Screws: steel, galvanized
Sliding block: steel, galvanized
Scope of delivery: 4 x sliding blocks, 12 x washers,
12 x screws M8 10.9 microencapsulated

Groove	
10 (M8)	6000 ... 18000 N

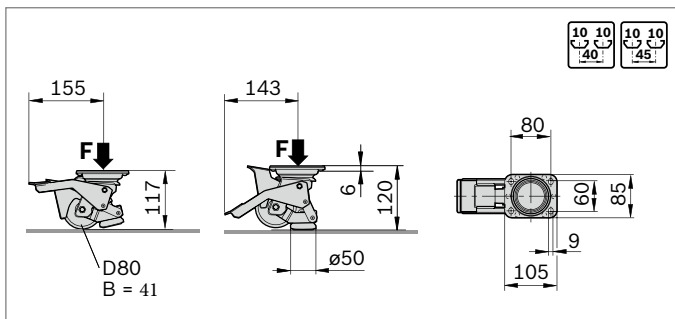
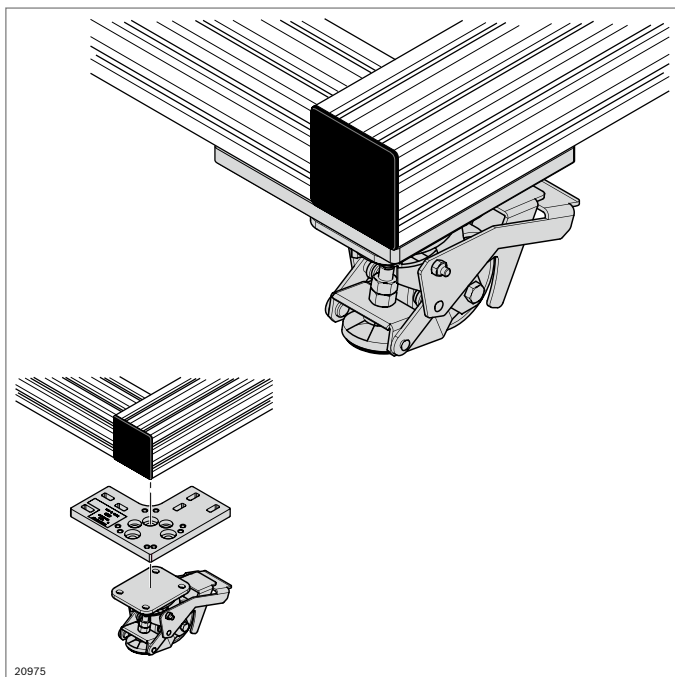
Lifting wheel - rotatable pedal



- ▶ Steerable lifting wheel
- ▶ The wheel turns into a stable base simply by engaging the stop lever
- ▶ The locking lever moves with the wheel.
- ▶ The locking lever can be moved under the frame if necessary.

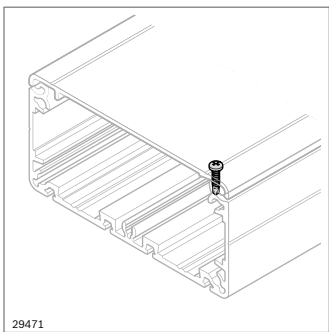
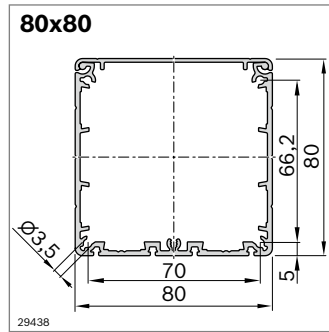
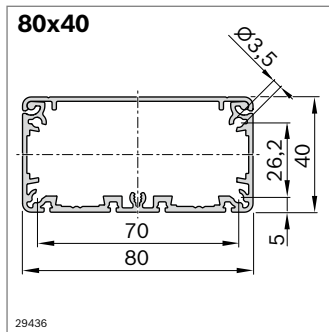
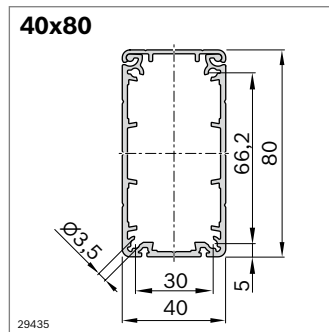
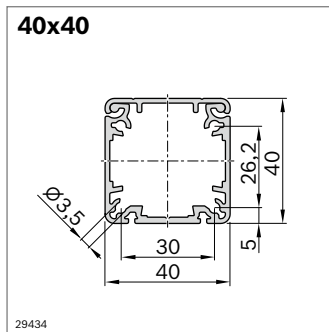
Required accessories:

- ▶ screw M8x20 (ISO4762), washer A8.4 (DIN EN ISO 7090), locking washer 8 FSt for attaching to the screw-on plate
- ▶ Screw-on plate 3 842 553 967 (p. 6-22)
- ▶ T-bolt, flange nut, central bolt M12 or S12 for fastening the screw-on plate to the profile frame



Lifting wheel	F (N)	No.
Rotatable pedal	2000	3 842 555 610

Material: Wheel: PA6, natural white
 Housing: steel, galvanized
 Base plate: PA; rubber black



Aluminum cable duct

- ▶ Cable duct pre-assembled (cover and bearing/support structure)
- ▶ Usable length 3000 mm (delivered in 3100 mm lengths)
- ▶ Cover can be secured with a self-tapping screw

Optional accessories: self-tapping screw **3 842 552 267**

Cable duct with AL cover plate	ESD	L (mm)	No.
1 pc 40x40		80 3000	3 842 996 356
12 pcs 40x40		3000	3 842 552 268
1 pc 40x80		80 3000	3 842 996 357
12 pcs 40x80		3000	3 842 552 270
1 pc 80x40		80 3000	3 842 996 358
12 pcs 80x40		3000	3 842 552 273
1 pc 80x80		80 3000	3 842 996 359
6 pcs 80x80		3000	3 842 552 275

Material: aluminum, anodized

Self-tapping screw

- ▶ For securing the cover plate on the cable duct
- ▶ Produces conductive connection between the cover plate and cable duct

Self-tapping screw	ESD	No.
Ze. Pi. 3.5x9.5		10 3 842 552 267

Material: steel, galvanized

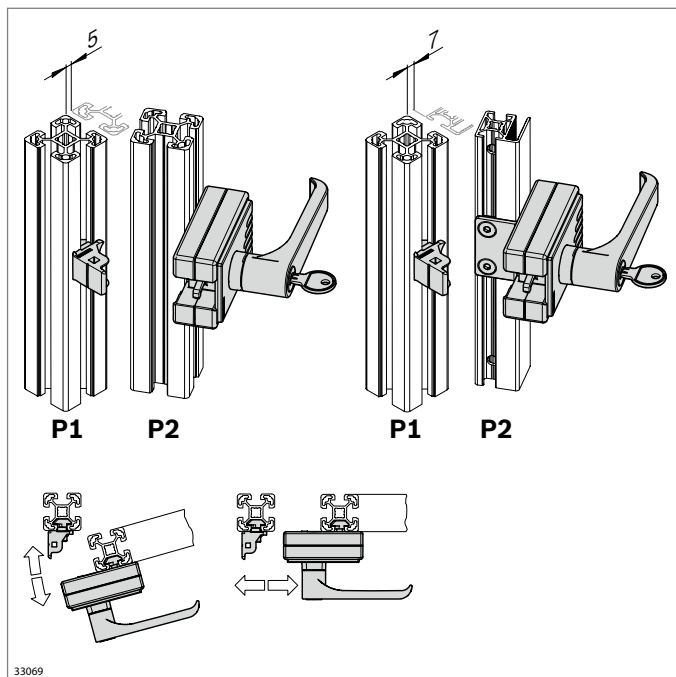
available from May 2017

Door lock “multi-use” for swing and sliding doors



- ▶ For doors which open to the right or left
- ▶ For numerous profile combinations
- ▶ “Standard locking” variant with random key selection (each lock has a different key)
- ▶ “Uniform locking” variant always has the same key
- ▶ Version with door handle or as two-way lock
- ▶ Covered fastening screws
- ▶ Differing gap measurements for doors <400 mm with modular dimensions up to 45 mm and <600 mm for modular dimensions of 50 mm (see assembly instructions)
- ▶ Without profile finishing

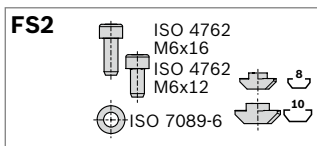
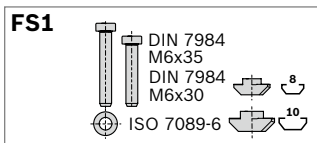
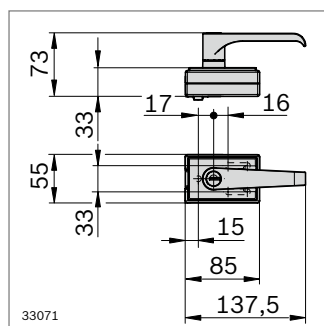
Optional accessories: Adapter plate for connecting to a WG40 or WG30 woven wire grille profile (see chapter EcoSafe)

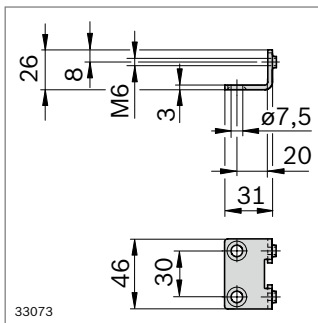
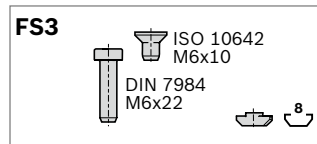
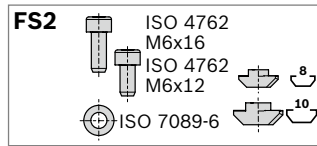
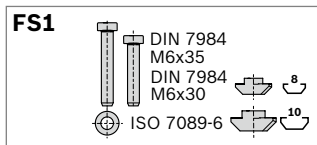
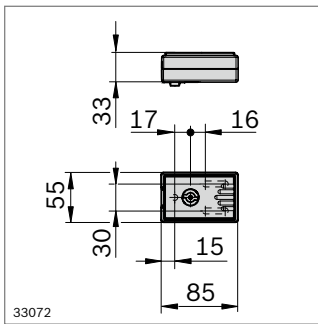


P1	P2	P2	P2	P2	P2
30	WG30/40	30	-	-	-
40	WG30/40	30	40	-	-
45	WG30/40	30	40	45	-
50	WG30/40	30	40	45	50
60	WG30/40	30	40	-	-

Door lock “multi-use” for swing and sliding doors	No.	FS
Standard locking	3 842 548 971	2xFS1, FS2
Uniform locking	3 842 548 970	2xFS1, FS2

Material: Housing: Diecast zinc, door handle: PA6, black Cover; PP signal gray (RAL7004); fastening material: Steel, galvanized
 Scope of delivery: incl. 3 keys, fastening material (FS)





Door lock "multi-use" for swing and sliding doors	No.	FS
---	-----	----

Two-way lock	3 842 548 965	2xFS1, FS2
---------------------	----------------------	------------

Material: Housing: Diecast zinc, door handle: PA6 black
Cover: PP signal gray (RAL7004); fastening material: Steel, galvanized

Scope of delivery: incl. 1x two-way key, fastening material

Adapter plate	No.	FS
---------------	-----	----

EcoSafe	3 842 548 969	2xFS3
----------------	----------------------	-------

Material: Steel, galvanized
Scope of delivery: Incl. fastening material

available from May 2017

Door lock "compact" for swing doors

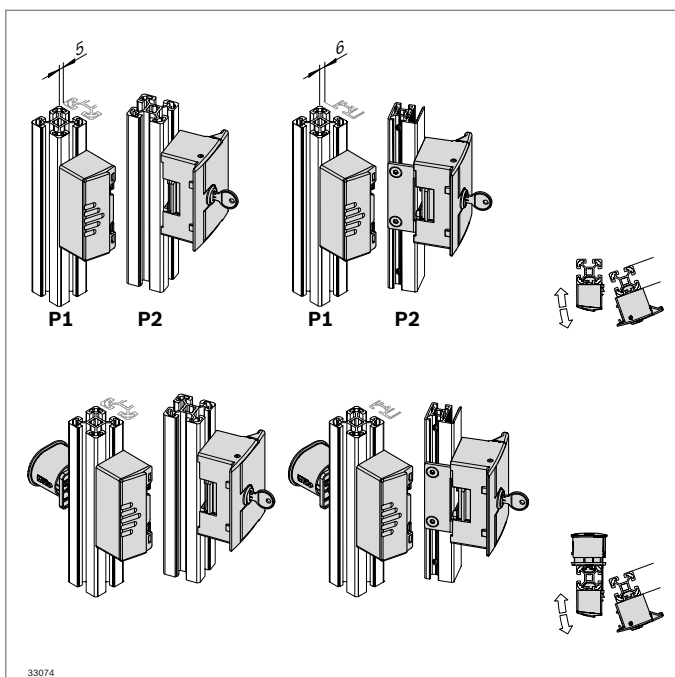


- ▶ For doors which open to the right or left
- ▶ For numerous profile combinations
- ▶ "Standard locking" variant with random key selection (each lock has a different key)
- ▶ "Uniform locking" variant always has the same key
- ▶ Covered fastening screws
- ▶ Installation of an emergency opening mechanism for unlocking from inside in emergency possible (Gap measurements according to assembly instructions 3842554192)
- ▶ Without profile finishing

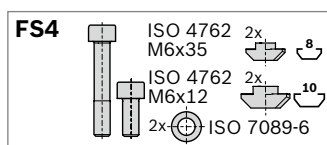
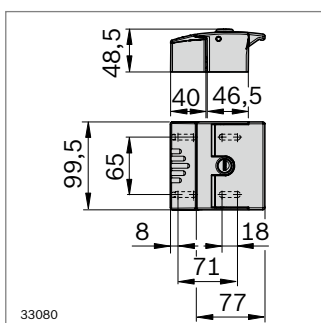
Optional accessories: Adapter plate for connecting to a WG40 or WG30 woven wire grille profile (see chapter EcoSafe), emergency opening mechanism

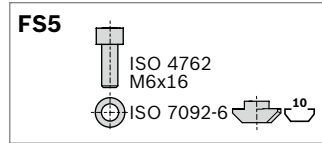
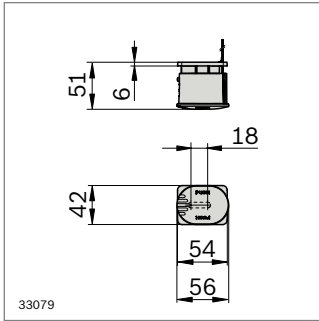
Door lock "compact" for swing doors	No.	FS
Standard locking	3 842 553 640	2xFS4
Uniform locking	3 842 553 639	2xFS4

Material: Housing: Die-cast aluminum, cover: PP signal gray (RAL7004); fastening material: Steel, galvanized
 Scope of delivery: incl. 2 keys, fastening material



P1	P2	P2	P2	P2	P2
30	WG30/40	30	-	-	-
40	WG30/40	30	40	-	-
45	WG30/40	30	40	45	-
50	WG30/40	30	40	45	50
60	WG30/40	-	40	45	50



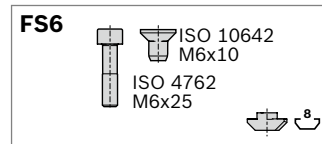
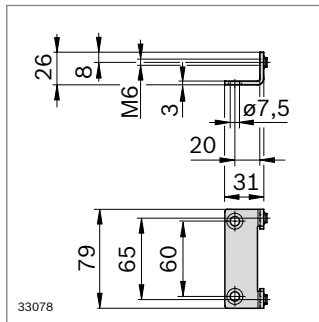


► For emergency opening of the door lock “compact” from the inside in its locked state

Emergency unlocking	No.	FS
Compact	3 842 554 134	FS5

Material: galvanized steel, button: PA6 red (RAL3020)
 fastening material: galvanized steel

Scope of delivery: Incl. fastening material



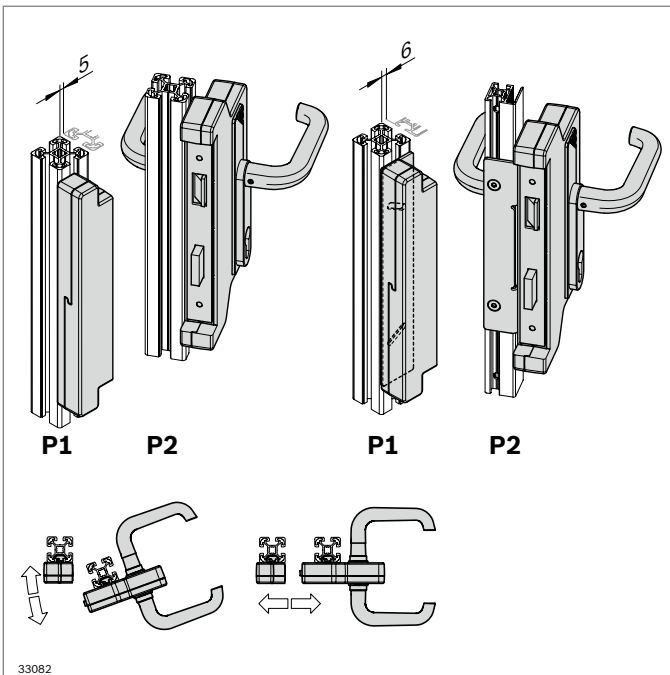
Adapter plate	No.	FS
EcoSafe	3 842 554 136	2xFS6

Material: galvanized steel, fastening material: galvanized steel

Scope of delivery: Incl. fastening material

available from May 2017

Chamber lock for swing and sliding doors



- ▶ For doors which open to the right or left
- ▶ For numerous profile combinations
- ▶ For installation of a standard lock cylinder (not included in the scope of delivery)
- ▶ Version with door handle, can be opened from inside and outside
- ▶ Without profile finishing
- ▶ Covered fastening screws

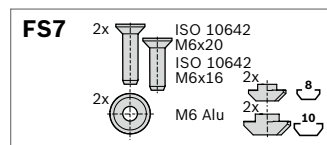
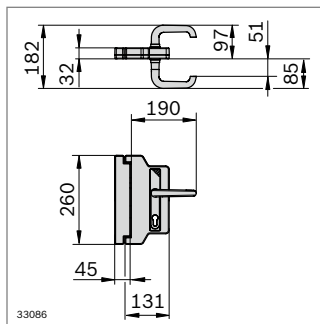
Optional accessories: adapter plate for connecting to a WG40 or WG30 woven wire grille profile (see chapter EcoSafe), lock cylinder

P1	P2	P2	P2	P2	P2
30	WG30/40	30	-	-	-
40	WG30/40	30	40	-	-
45	WG30/40	30	40	45	-
50	WG30/40	30	40	45	50
60	WG30/40	30	40	45	50

Chamber lock	No.	FS
Sliding door	3 842 554 151	2xFS7
Swing door	3 842 554 150	2xFS7

Material: housing PP signal gray (RAL7004); door handle: Anodized aluminum; fastening material: galvanized steel, washer: aluminum

Scope of delivery: incl. fastening material



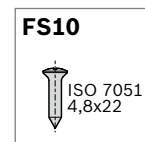
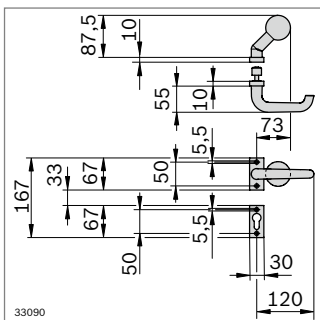
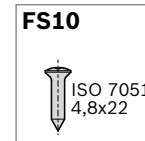
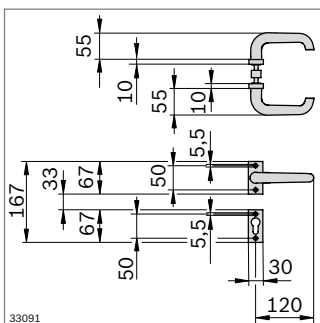
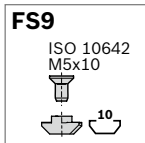
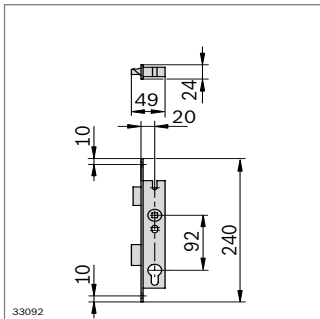
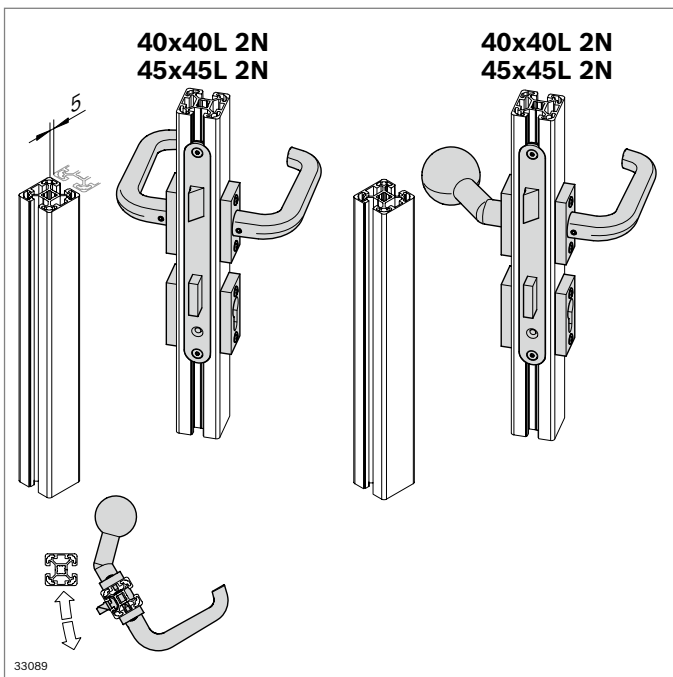
available from May 2017

Mortise lock for swing doors



- ▶ For installation in 40x40L 2N or 45x45L 2N profiles
- ▶ For installation of a standard lock cylinder (not included in the scope of delivery)
- ▶ Robust design
- ▶ Door handle in the variants: Handle/handle, handle/knob
- ▶ Milled/drilled profile finishing
- ▶ Profile finishing can be ordered over Quick&Easy

Accessories: Handle/handle, handle/knob, lock cylinder



Mortise lock	No.	FS
	3 842 553 638	2xFS9

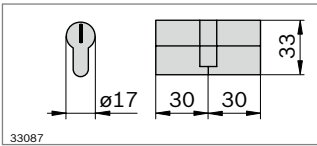
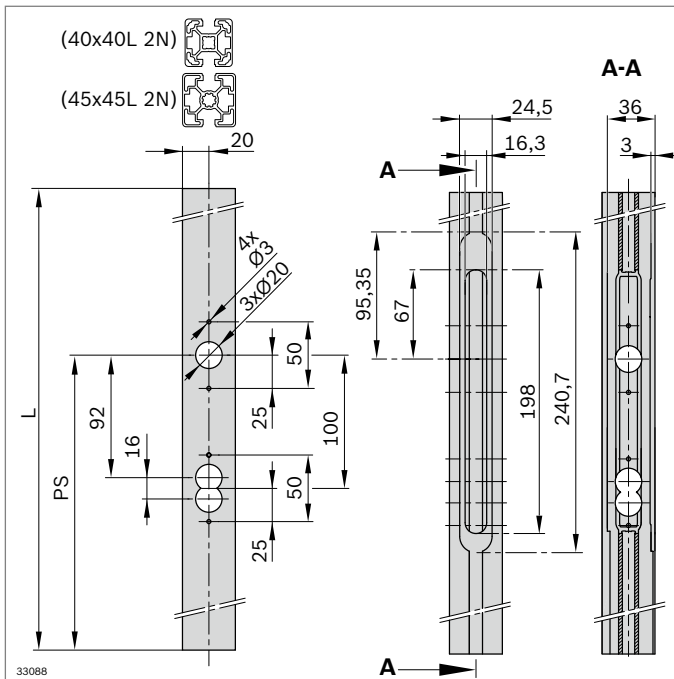
Material: Fastening steel
 material: Steel, galvanized
 Scope of delivery: Incl. fastening material

Handle/handle	No.	FS
	3 842 553 631	8x FS10

Material: anodized aluminum
 Fastening material: Galvanized steel
 Scope of delivery: Incl. fastening material

Handle/knob	No.	FS
	3 842 553 630	8x FS10

Material: anodized aluminum
 Fastening material: Galvanized steel
 Scope of delivery: Incl. fastening material

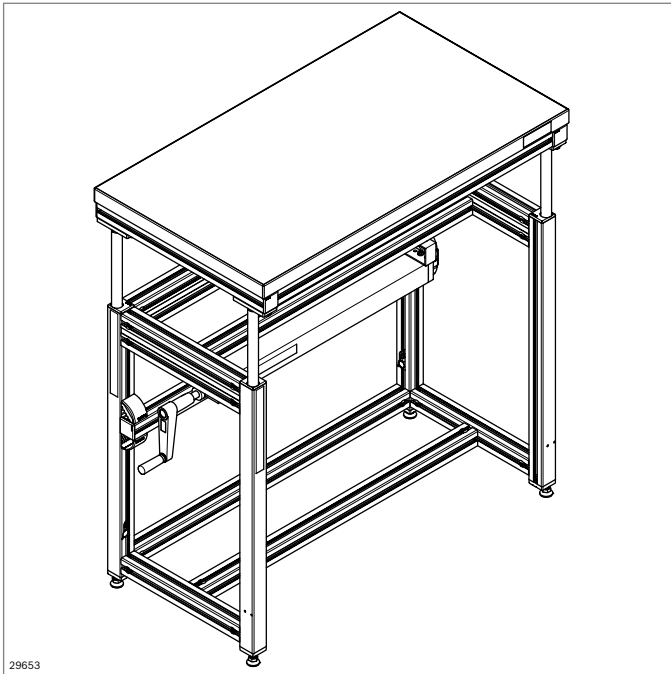


- ▶ Dimensional drawing of the profile finishing for mortise lock
- ▶ Finishing type “LM” (Lock Milling)
- ▶ Can be ordered over Quick&Easy

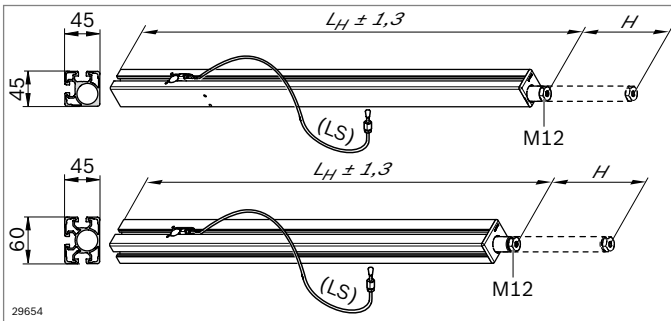
Finish	No.	Finishing type	Parameters
Strut profile 40x40L 2N	3 842 993 720	LM	PS, L
Strut profile 45x45L 2N	3 842 993 739	LM	PS, L

Parameter input - example: 3842993739 L=1800; [B=LM;PS=1100]

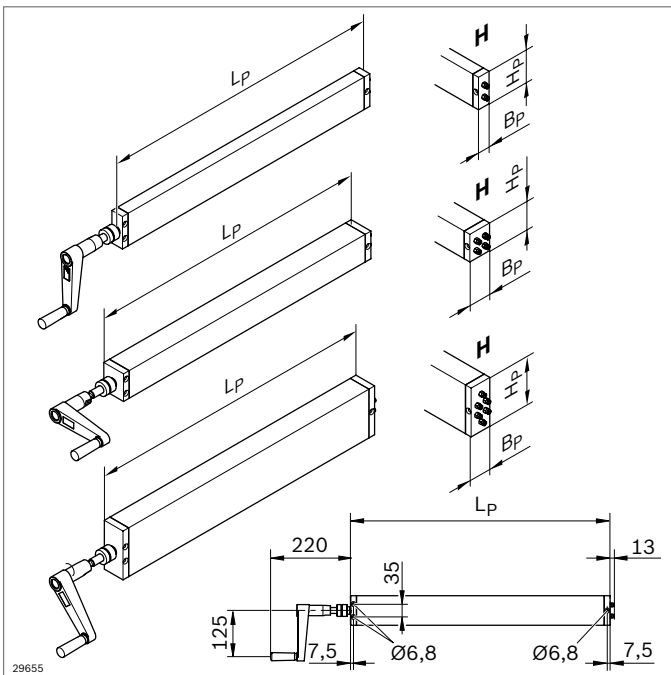
- ▶ Lock cylinder 30/30



29653



29654



29655

**Components for height adjustment
45x45 and 45x60**



- ▶ Infinitely variable hydraulic height adjustment with a crank handle, e.g. for work benches, tables or frames
- ▶ Max. load bearing capacity per lifting module 800 N
- ▶ Maximum lift 400 mm
- ▶ Simplest mounting system due to use of hydraulic hoses with quick-release couplings
- ▶ Variable or fixed lengths for lifting module and hoses
- ▶ Can be used for the implementation of EN 1570-1, taking other measures for integration into products into consideration.

Optional accessories:

- ▶ Connection elements, e.g. bracket (see p. 3-17),
- ▶ Leveling foot, e.g. 3 842 529 025 (see p. 6-4)

	L _H (mm)	L _S (mm)	No.
45x45 Variable	720 ... 2000 ¹⁾	1000 ... 4000 ²⁾	Set 3 842 994 000/L_H/L_S
Standard	770	2500	Set 3 842 552 131/L_H/L_S
45x60 Variable	720 ... 2000 ¹⁾	1000 ... 4000 ²⁾	Set 3 842 994 001/L_H/L_S
Standard	770	2500	Set 3 842 552 132/L_H/L_S

¹⁾ Lifting module length (L_H) can be ordered in 10 mm increments
²⁾ Hose length (L_S) can be ordered in 1000, 1500, 2000, 2500, 3000, 4000 mm

Scope of delivery: 2 x lifting module with built-in hydraulic cylinder incl. hose (min. bend radius 50 mm) and quick-release coupling; 2 x cover cap
 Condition on delivery: assembled, filled with food-safe HPL oil of class NSF H1

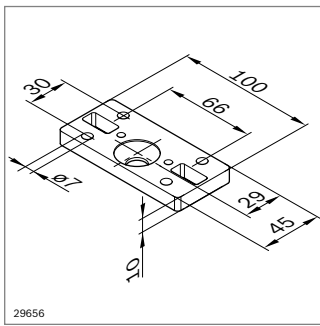
Pump and drive

- ▶ Synchronous activation of 2, 4 or 6 lifting modules
- ▶ Can be mounted in any position
- ▶ Incl. friction clutch for load control
- ▶ 4 mm stroke per rotation
- ▶ Crank handle, retractable

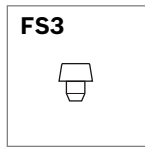
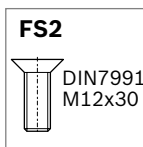
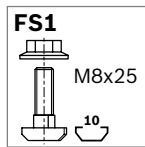
Pump	Max. Load (N)	Amount Lift module	L _p (mm)	W _p (mm)	H _p (mm)	No.
	1600	2	702.5 ^{±2}	30	80	3 842 552 133
	3200	4	702.5 ^{±2}	56	68	3 842 552 134
	3200	6	714.5 ^{±2}	60	120	3 842 552 135

Scope of delivery: pump incl. hand crank and quick-release coupling

Condition on delivery: assembled, filled with food-safe HPL oil of class NSF H1



29656



Connecting plate

- For mounting the lifting module on a foot, profile or table top

Connecting plate	No.	FS
Set	3 842 552 176	4xFS1, 2xFS2, 4xFS3

Material: aluminum
Fastening material: Steel; galvanized, transparent chromated

Scope of delivery: 2 x connecting plate; incl. fastening material (FS)

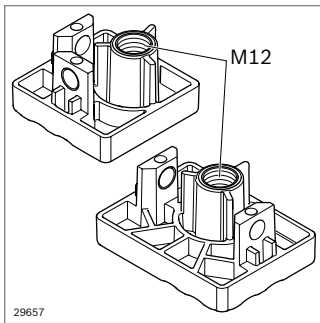
Adapter plate

- For mounting a leveling foot (e.g. 3 842 529 025) to the lifting module

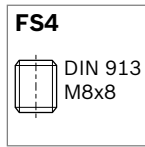
Adapter plate	No.	FS
45x45	Set 3 842 552 174	4xFS4
45x60	Set 3 842 552 175	4xFS4

Material: diecast zinc
Fastening material: Steel; galvanized, transparent chromated

Scope of delivery: 2 x adapter plate; incl. fastening material (FS)



29657



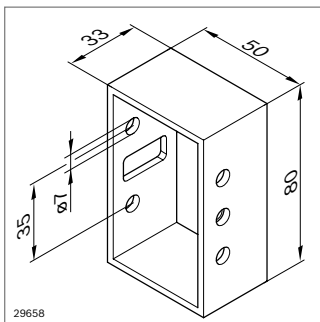
Connection adapter

- For mounting the pump on a profile or a table top
- Independent of the pump size, mounting requires 3 countersunk screws (ISO 10642, M6, 8.8) in 40 mm (pump for 2 lifting modules) or 70 mm (pump for 4 or 6 lifting modules)

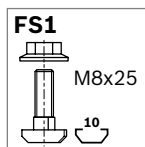
Connection adapter	No.	FS
Set	3 842 552 177	2xFS1

Material: aluminum
Fastening material: Steel; galvanized, transparent chromated

Scope of delivery: 2 x connection adapter; incl. fastening material (FS)



29658



Bosch Rexroth AG

Postfach 30 02 07
70442 Stuttgart, Germany
www.boschrexroth.com

You can find local contact information at:

www.boschrexroth.com/contact

The data specified above only serves to describe the product.

Due to the continuous development of our products, no statements concerning a specific characteristic or suitability for a specific application can be inferred from the information that we provide. The information given does not release the user from the obligation of own judgment and verification.

It must be remembered that our products are subject to a natural process of wear and aging.