

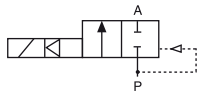


2/2-way Solenoid Valve Safety shut off valve for oil burner

- Approved acc. to DIN EN ISO 23553-1
- Medium: liquid fuels
- Easy servicing due to modular coil system
- Return line valve
- IP65

Type 5407 valves are direct-acting solenoid valves with pistons. These valves can be used as return line valves in combination with Type 5406 as feed line valve. The valves fulfill the requirements of a safety shut off valve according to DIN EN 23553-1. It is approved by TÜV-Süd and certified by DIN Certco. The universal coil system reduces logistics and service expenses.

Circuit function A (NC)



Technical Data	
Medium	Heating oil (EL, L, M, S) acc. to DIN 51603 part 1 – 6 Shipping fuels acc. to ISO 8217 Fatty Acid Methyl Esters (FAME) acc. to DIN EN 14213 Rapeseed oil acc. to DIN V 51605
Viscosity	1,6 – 76 mm ² /s
Medium temperature	0–160°C
Ambient temperature	–15 to +60°C
Orifice	DN20
Body material	stainless steel
Seal material	
seat	PTFE
housing	FKM
Coil material	Insulation class H: Epoxy
Port connection	G 3/4
Protection class	IP65
Voltages	110V/50Hz, 230V/50Hz others on request
Duty cycle	Continuous operation 100% ED
Electrical connection	acc. to DIN EN 175301-803 Form A
DIN Certco registration	DN Reg. No. 20 5S255

Technical Data

Circuit function	Port connection	Orifice [mm]	Kv value water [m³/h]	Max. static pressure [bar]	body material	Function	Power consumption	
							Operation W	Inrush VA
NC (A)	G 3/4	20.0	4.7	30	Stainless steel	Return line valve	20	180

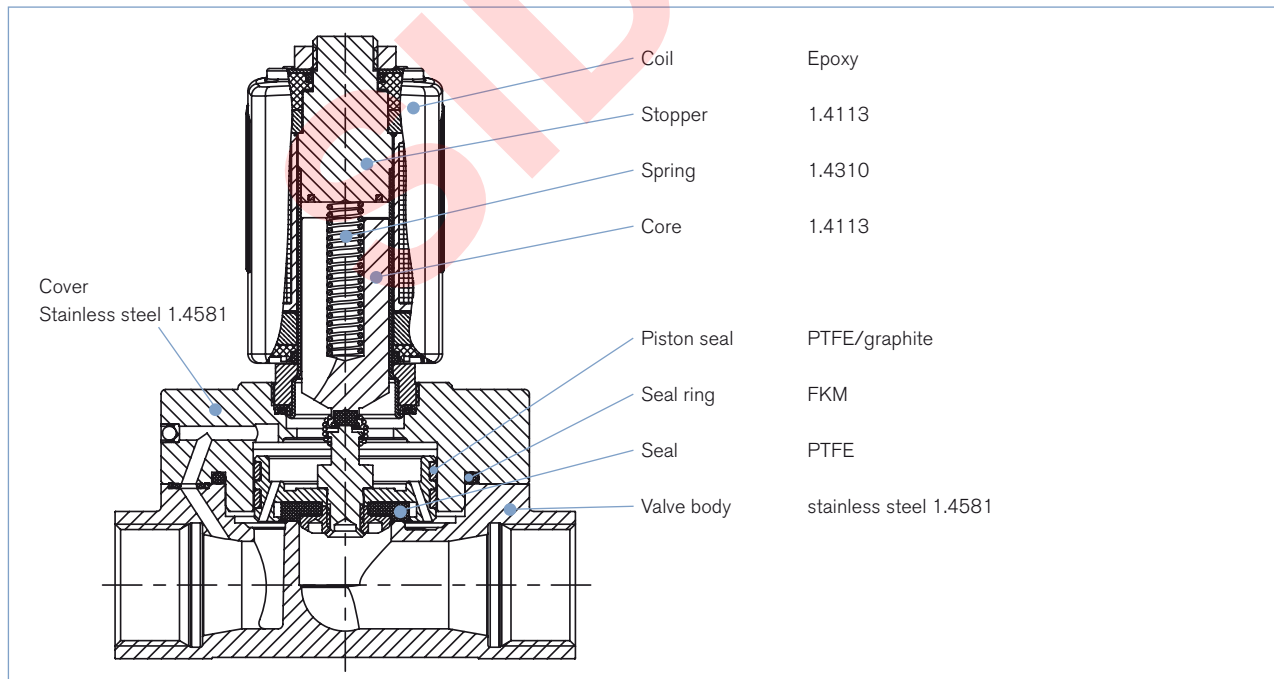
Feed line/return line valve combinations

For oil burner with feed line valve and return line valve the following safety shut off valves combinations are available.

Feed line valve				Return line valve			
Type	Orifice [mm]	body material	Kv value water [m³/h]	Type	Orifice [mm]	body material	Kv value water [m³/h]
6027*	2.2	Brass	0.15	-	-	-	-
6027*	3	Brass	0.22	6027*	3	Brass	0.18
5406**	6	Brass	0.46	6027*	4	Brass	0.47
5406**	13	Brass	3.5	6027*	10	Brass	1.8
5406**	20	Stainless steel	6.3	5407	20	Stainless steel	4.7

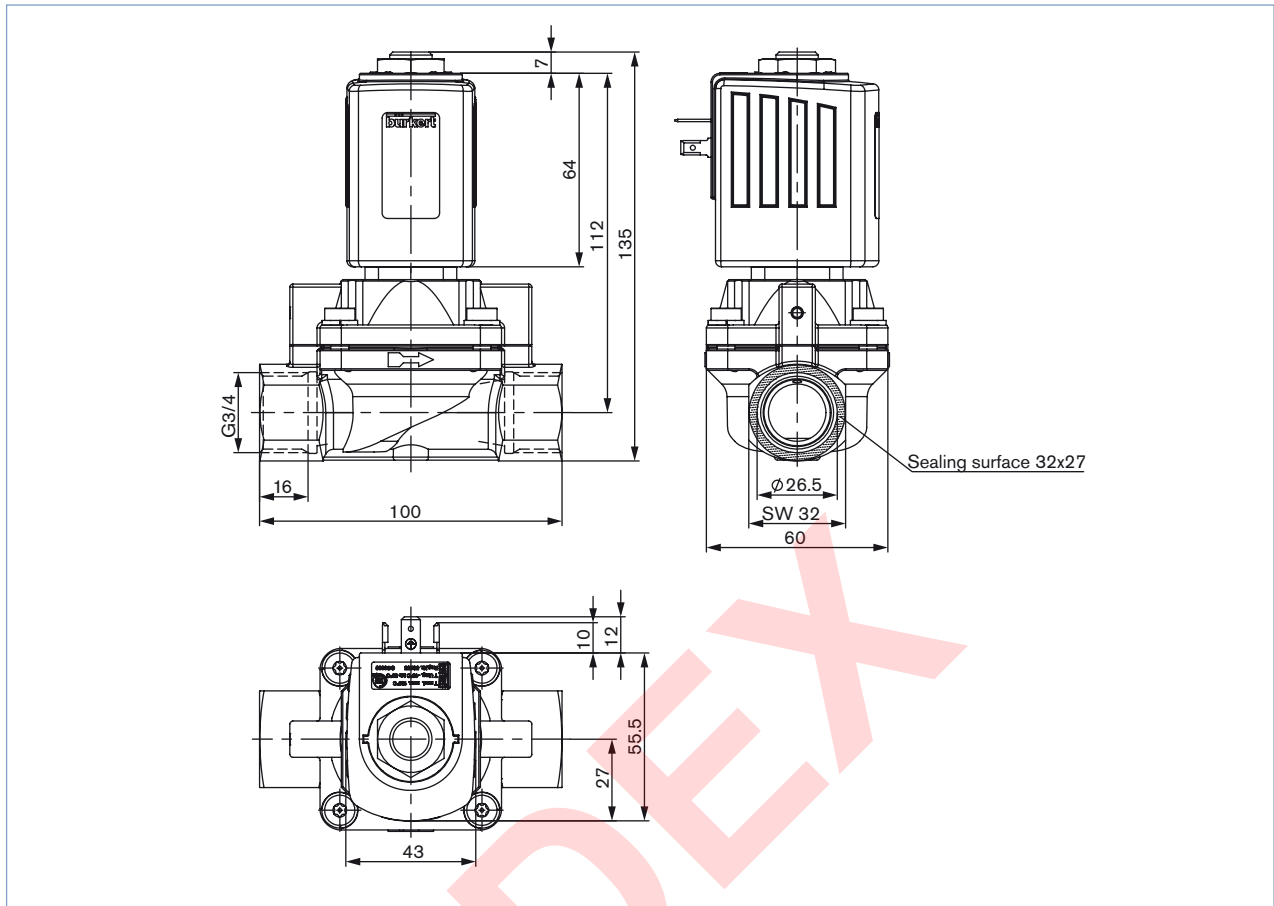
* compare datasheet Type 6027 Safety Shut-Off Valve/Oil
* compare datasheet Type 5406 Safety Shut-Off Valve/Oil

Materials Version DN20




DTS 1000158193 EN Version: - Status: RL (released | freigegeben | validé) printed: 22.09.2017

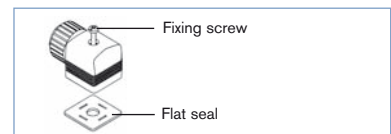
Dimensions [mm] Version DN20



Ordering chart accessories

Cable Plug Type 2508 acc. to DIN EN 175301-803 Form A (previously DIN 43650)

	Circuit	Voltage	Item no.
	None (standard)	0 - 250 V AC/DC	008 376
	with LED	200- 240V	008 362
	with LED and varistor	200- 240V	008 369
	further versions see datasheet Type 2508		



The delivery of a cable plug includes the flat seal and the fixing screw. Further versions of cable plugs acc. to DIN EN 175301-803 A (previously DIN 43650) see datasheet Type 2508.

More info.

To find your nearest Bürkert facility, click on the orange box → www.buerkert.com

In case of special application conditions, please consult for advice.

We reserve the right to make technical changes without notice.
© Christian Bürkert GmbH & Co. KG

1101/0_EU-en_00895181