

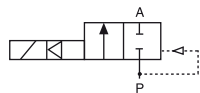


2/2-way Solenoid Valve safety shut off valve for oil burner

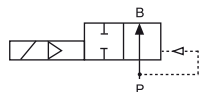
- NC-valves, approved acc. to DIN EN ISO 23553-1
- Medium: liquid fuels
- Easy servicing due to modular coil system
- Feed line valve or circulations valve
- IP65

Type 5406 valves are pilot-controlled solenoid valves with servo pistons. Depending on the version, these valves can be used either as feed line or circulation valves. The valves fulfill the requirements of a safety shut off valve according to DIN EN 23553-1. It is approved by TÜV-Süd and certified by DIN Certco. The universal coil system reduces logistics and service expenses.

Circuit function A (NC)



Circuit function B (NO)



Technical Data	
Medium	Heating oil (EL, L, M, S) acc. to DIN 51603 part 1-6 Shipping fuels acc. to ISO 8217 Fatty Acid Methyl Esters (FAME) acc. to DIN EN 14213 Rapeseed oil acc. to DIN V 51605
Viscosity	1,6 to 76 mm ² /s
Medium temperature	0 ... 160 °C
Ambient temperature	-15 to +60°C
Orifice	13:20
Body material	Brass, stainless steel
Seal material	
Seat	PTFE
housing	FKM
Coil material	Insulation class H: Epoxy
Port connection	G 1/4, G 3/8, G 1/2, G 3/4
Protection class	IP65
Voltages	110V/50Hz, 230V/50Hz others on request
Duty cycle	Continuous operation 100% ED
Electrical connection	acc. to DIN EN 175301-803 Form A
DIN Certco registration	
(NC-valves)	DN Reg. No.
	6 5S255
	13 5S255
	20 5S255

Technical Data

Circuit function	Port connection	Orifice [mm]	Kv value water [m³/h]	Pressure range [bar]	Closing time	Body material	Function	Power consumption	
								Operation W	Inrush VA
NC (A)	G1/4	6.0	0.46	1-30	< 100	Brass	Feed line valve	20	150
	G3/8, G1/2	13.0	3.5	1-30	< 500	Brass	Feed line valve	20	120
	G3/4	20.0	6.3	1-30	< 800	Stainless steel	Feed line valve	20	120
NO (B)	G3/8, G1/2	13.0	3.0	1-30	< 500	Brass	Circulation valve	20	120

Feed line/return line valve combinations

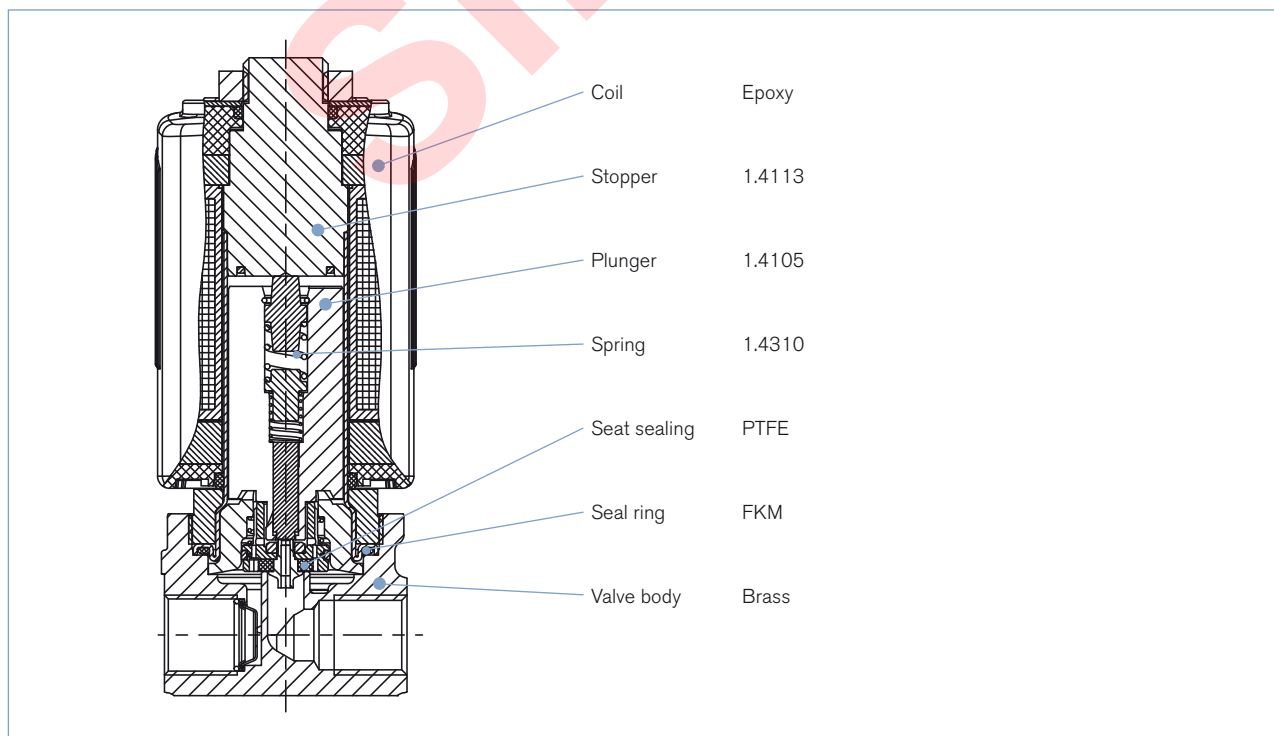
For oil burner with feed line valve and return line valve the following safety shut off valves combinations are available.

Feed line valve				Return line valve			
Type	Orifice [mm]	Body material	Kv value water [m³/h]	Type	Orifice [mm]	Body material	Kv value water [m³/h]
6027*	2.2	Brass	0.15	-	-	-	-
6027*	3	Brass	0.22	6027*	3	Brass	0.18
5406	6	Brass	0.46	6027*	4	Brass	0.47
5406	13	Brass	3.5	6027*	10	Brass	1.8
5406	20	Stainless steel	6.3	5407**	20	Stainless steel	4.7

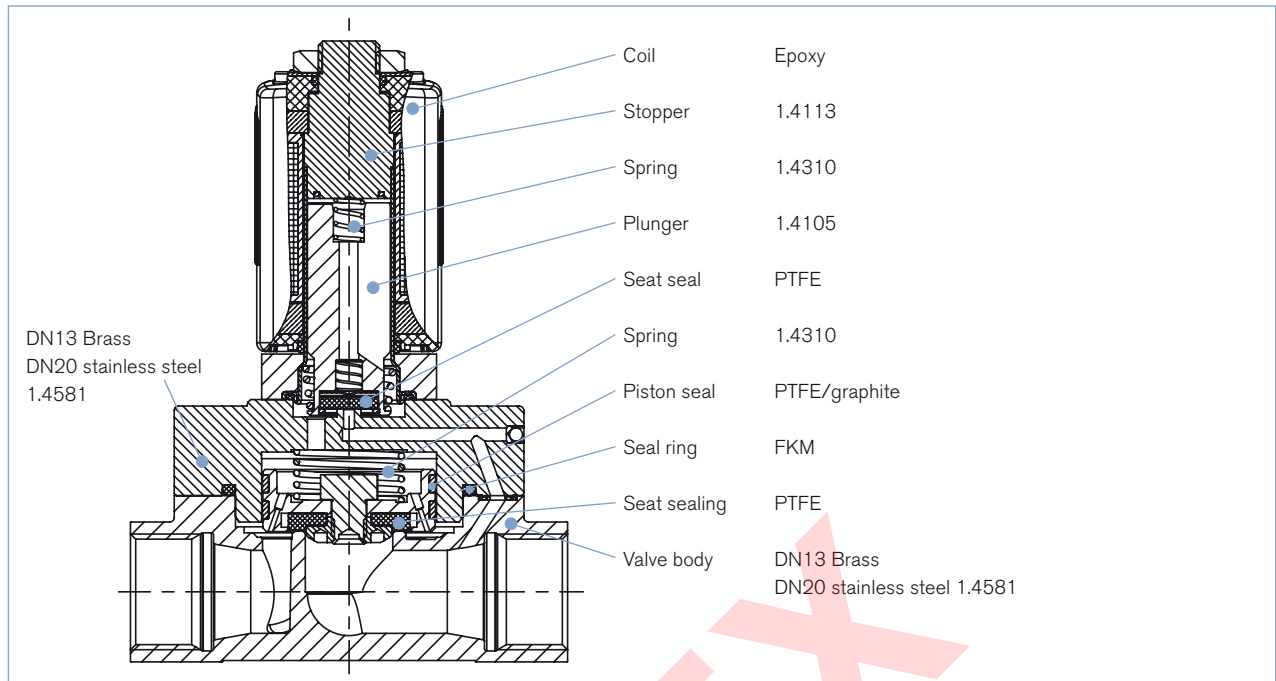
* compare datasheet Type 6027 Safety Shut-Off Valve/Oil

** compare datasheet Type 5407 Safety Shut-Off Valve/Oil

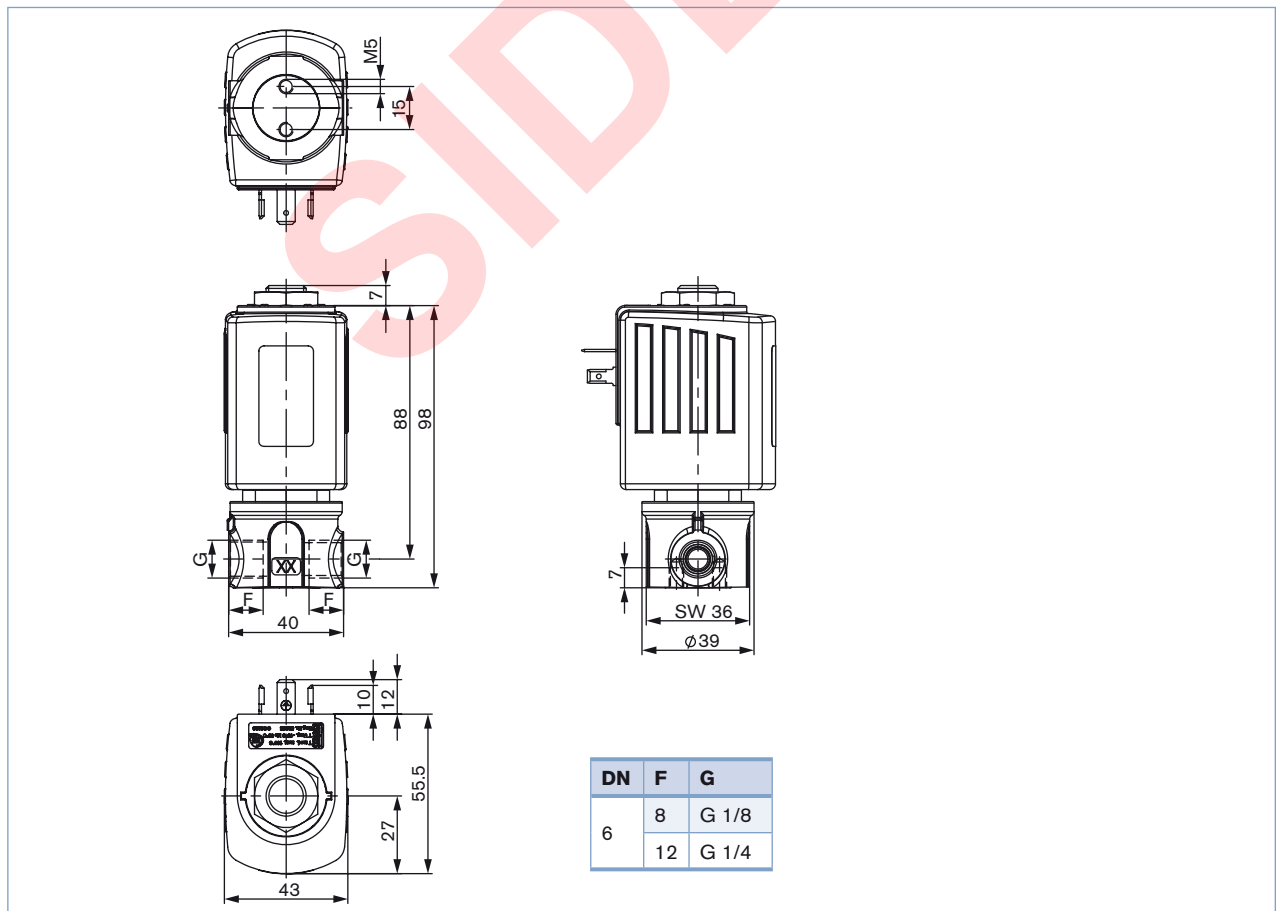
Materials Version DN6



Materials Version DN13, 20

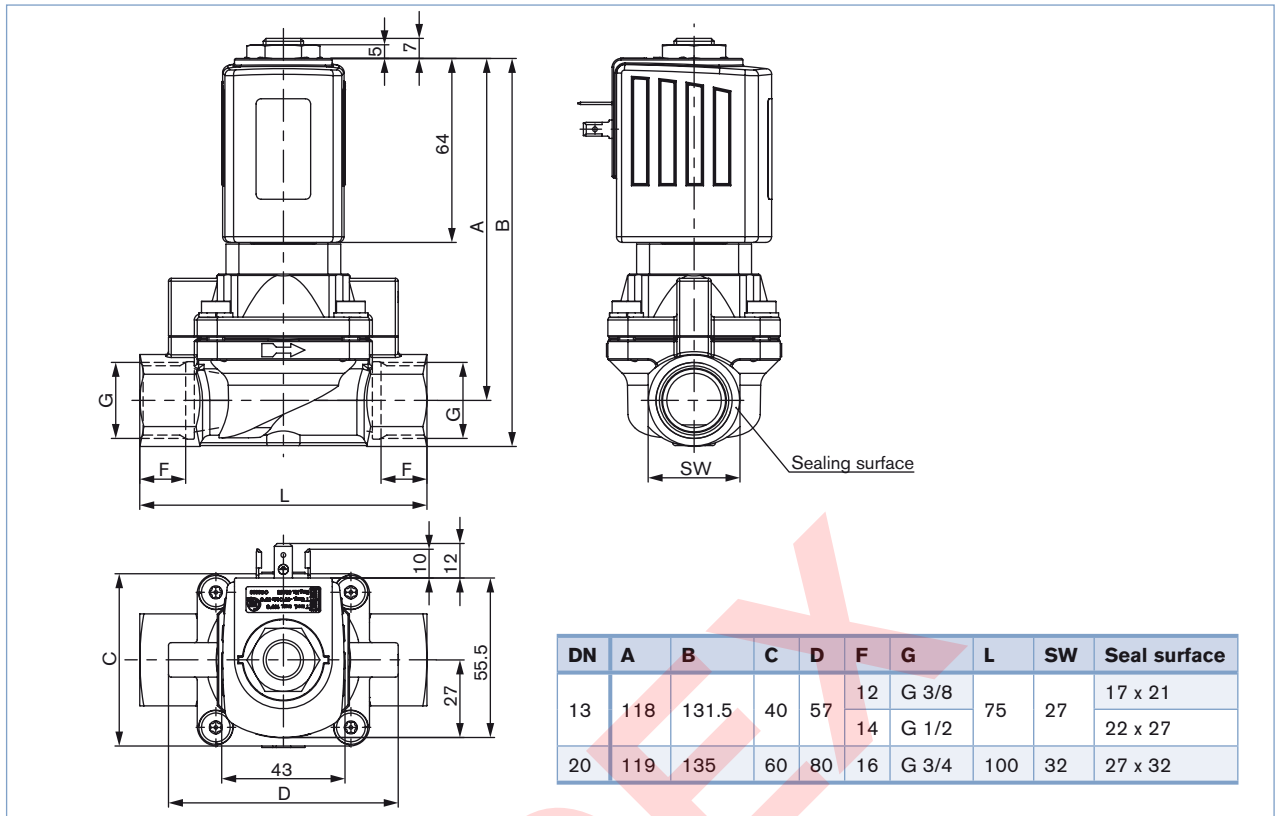


Dimensions [mm] Version DN6




DTS 1000158188 EN Version: - Status: RL (released | freigegeben | validé) printed: 22.09.2017

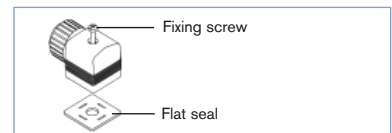
Dimensions [mm] Version DN13, 20



Ordering chart accessories

Cable Plug Type 2508 acc. to DIN EN 175301-803 Form A (previously DIN 43650)

	Circuit	Voltage	Item no.
	None (standard)	0 - 250 V AC/DC	008 376
	with LED	200- 240V	008 362
	with LED and varistor	200- 240V	008 369
further versions see datasheet Type 2508			



The delivery of a cable plug includes the flat seal and the fixing screw. Further versions of cable plugs acc. to DIN EN 175301-803 A (previously DIN 43650) see datasheet Type 2508.

More info.

To find your nearest Bürkert facility, click on the orange box → www.buerkert.com

In case of special application conditions, please consult for advice.

We reserve the right to make technical changes without notice.
 © Christian Bürkert GmbH & Co. KG

1101/0_EU-en_00895180