

2/2-way-mini Solenoid Valve

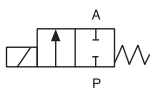


- Compact design
- Low electrical power consumption
- Short response times
- Hermetically sealing isolating diaphragm
- Non-metallic valve internals

Type 117 is a normally-closed direct-acting plunger-type solenoid valve with PTFE-coated diaphragm. The diaphragm isolates the fluid from the solenoid system.

When deenergized (in circuit function A) the valve is closed by spring action. When energized, the solenoid armature is drawn in 2/2-Way, G 1/8, UNF 1/4-28 Fluid Control Systems against a spring to open the valve. The solenoid epoxy encapsulation efficiently dissipates the heat generated by the coil.

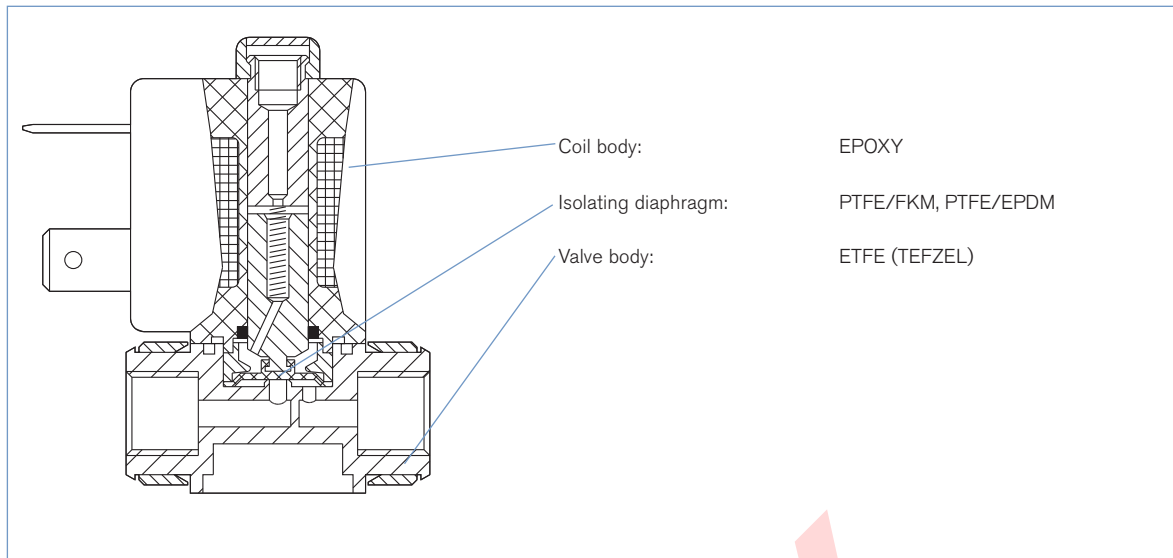
Circuit function A



A 2/2-way
valve NC

| Technical data | |
|---|--|
| Body material | ETFE (TEFZEL) |
| Seal material | PTFE with EPDM - PTFE with FKM |
| Media | PTFE/EPDM: alkalis, acids to medium concentration, washing- and bleaching lyes PTFE/FKM: oxydizing acids and substances, salt solutions, oils and waste gases |
| Medium temperature | -10 ... +70 °C |
| Max. ambient temperature | max. +55 °C |
| Max. viscosity | 21 mm ² /s |
| Response times | opening approx. 20 ms closing approx. 20 ms |
| Installation | as required, but preferably with solenoid system upright |
| Operating voltages | 12 V DC, 12 V DC battery, 24 V DC, 24 V UC, 220-230 V UC |
| Voltage tolerance | ± 10 % |
| Power consumption | 4 W |
| Duty cycle | 100 % continuously rated |
| Cycling rate | up to 300 c.p.m. |
| Protection class with cable plug | IP 65 |
| Electr. connection | Delivery standard: Cable plug DIN 43 650 Form B, 0-250 V. Flying leads 300 mm lenght |

Materials




Ordering chart for valves (other versions on request)

All valves with ETFE-body (TEFZEL); without cable plug (see accessory); PTFE-seat seal with EPDM or FKM

| Circuit function | Orifice [mm] | Port connection | Kv value water [m ³ /h] | Pressure range [bar] | Seal material | Voltage/ Frequency [V/Hz] | Item no. |
|------------------|--------------|-----------------|------------------------------------|----------------------|---------------|---------------------------|----------|
| A | 1.2 | G 1/8 | 0.045 | 0 - 2 | PTFE/FKM | 24/UC | 064 929 |
| A | 1.6 | G 1/8 | 0.06 | 0 - 1.5 | PTFE/EPDM | 24/DC | 057 606 |
| | | | | | | 24/UC | 058 206 |
| | | | | | | 12 V/DC Batterie | 085 529 |
| | | | | | PTFE/FKM | 24/DC | 056 664 |
| | | | | | | 24/UC | 041 763 |
| | | | | | | 220-230/UC | 057 839 |
| A | 2.0 | G 1/8 | 0.09 | 0 - 1.0 | PTFE/EPDM | 24/DC | 043 698 |
| | | | | | | 24/UC | 068 170 |
| | | | | | | 220-230/UC | 021 301 |
| | | | | | PTFE/FKM | 24/DC | 040 947 |
| | | | | | | 24/UC | 058 062 |
| | | | | | | 220-230/UC | 021 186 |
| A | 2.4 | G 1/8 | 0.10 | 0 - 1.0 | PTFE/EPDM | 24/DC | 056 878 |
| | | | | | | 24/UC | 021 352 |
| | | | | | | 220-230/UC | 022 140 |
| | | | | | PTFE/FKM | 12/DC | 042 215 |
| | | | | | | 24/DC | 056 535 |
| | | | | | | 24/UC | 047 399 |
| | | | | | | 220-230/UC | 056 630 |

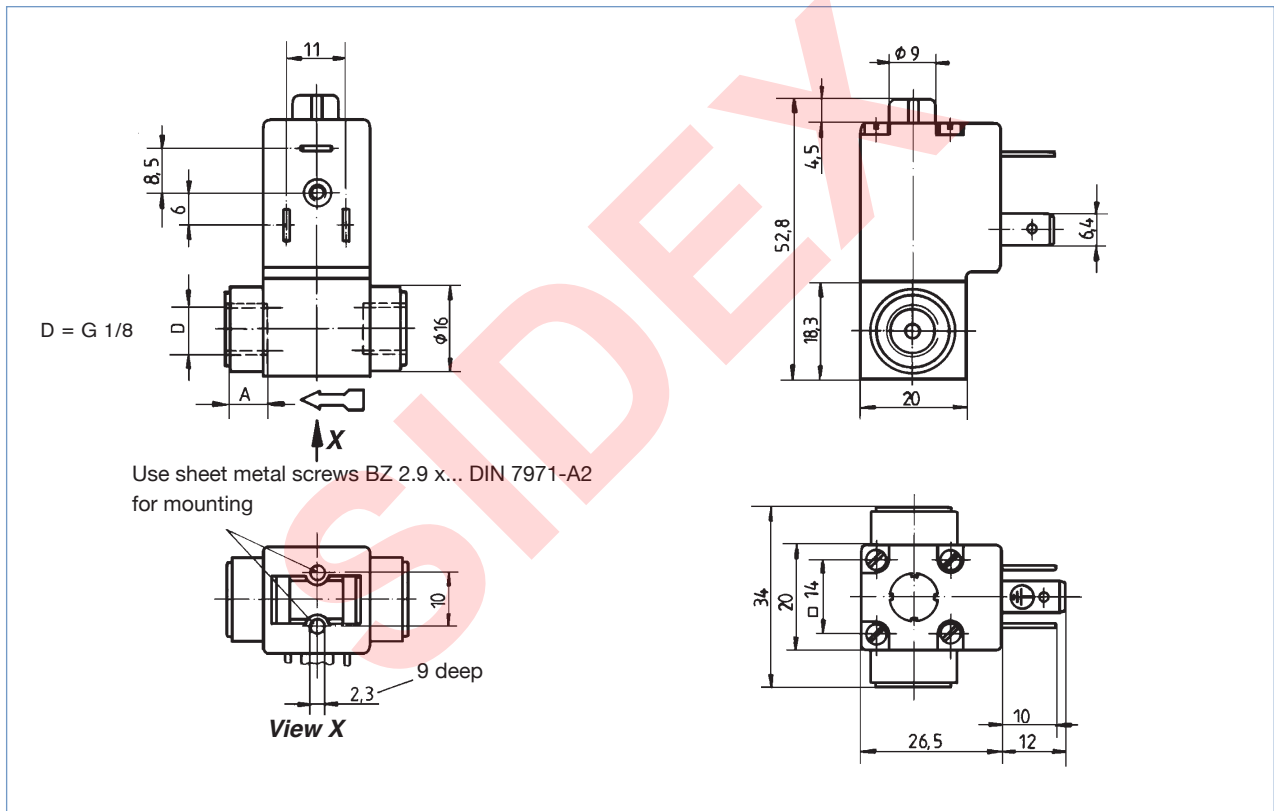
■ NPT version on request

Ordering chart Accessory (Cable plug acc. to DIN EN 175301-803 Form B (previously DIN 43650))

|  | Circuit | Voltage / frequency | Item no. |
|---|------------------|-------------------------|----------|
| | none (standard) | 0 - 250 V AC/DC | 423 845 |
| | with LED | 24 V UC | 423 849 |
| | further versions | see datasheet type 2507 | |

The delivery of a cable plug includes the flat seal and the fixing screw. For other cable plug versions acc. to DIN EN 175301-803 Form B (previously DIN 43650), see data-sheet Type 2507.

Dimensions [mm]



DTS 1000010903 EN Version: D Status: RL (released | freigegeben | validé) printed: 22.09.2017

To find your nearest Bürkert facility, click on the orange box → www.burkert.com

In case of special application conditions, please consult for advice. Subject to alterations © Christian Bürkert GmbH & Co. KG 1001/1_EU-en_00891600