



## Electronic Flow Rate Transmitter with HSI-Sensor Recognition

### EVS 3100-H

### EVS 3110-H

#### Description:

The flow rate transmitters in the series EVS 3100-H and EVS 3110-H with HSI sensor recognition have been specially developed for use in conjunction with HYDAC measuring instruments HMG 500, HMG 510, HMG 3000, HMG 3010 and CMU 1000.

For data transmission, the EVS 31x0-H has an HSI interface (HYDAC Sensor Interface).

The HSI sensors are recognised automatically via the HSI interface by the above-mentioned HYDAC measuring instruments, and all the necessary basic settings are taken from each instrument.

As with all flow rate transmitters in the series EVS 3100 and EVS 3110, the EVS 31x0-H also operates according to the turbine principle. The speed of an impeller turning in the fluid flow is measured and converted into an electronic signal.

#### Special features:

- Fully automatic recognition by, and voltage supply from, HYDAC measuring instruments HMG 500, HMG 510, HMG 3000, HMG 3010 or CMU 1000
- Automatic transfer of measuring range, measured value and measurement unit
- Viscosities of 1 .. 100 cSt
- Additional connection of temperature and / or pressure transmitters possible

#### Technical data:

Input data	
Measuring ranges <sup>1)</sup> and operating pressure	
EVS 3108-H-0020	1.2 .. 20.0 l/min 400 bar
EVS 3118-H-0020	
EVS 3108-H-0060	6.0 .. 60.0 l/min 400 bar
EVS 3118-H-0060	
EVS 3108-H-0300	15.0 .. 300.0 l/min 400 bar
EVS 3118-H-0300	
EVS 3108-H-0600	40.0 .. 600.0 l/min 315 bar
EVS 3118-H-0600	40.0 .. 600.0 l/min 400 bar
Additional connection options	2 x G1/4 female threads for pressure and/or temperature sensors
Output data	
Output signal	HSI (HYDAC Sensor Interface) Automatic sensor recognition
Accuracy	≤ 2 % of the actual value
Environmental conditions	
Compensated temperature range	-20 .. +70 °C
Operating temperature range	-20 .. +70 °C
Storage temperature range	-40 .. +100 °C
Fluid temperature range	-20 .. +90 °C
CE mark	EN 61000-6-1 / 2 / 3 / 4
Protection class to IEC 60529	IP 67 (when an IP 67 connector is used)
Other data	
Housing material	EVS 3100-H: Aluminium EVS 3110-H: Stainless steel
Measuring medium <sup>2)</sup>	EVS 3100-H: Hydraulic oils EVS 3110-H: Water-based media
Viscosity range	1 .. 100 cSt
Calibration viscosity	EVS 3100-H: 30 cSt EVS 3110-H: 5 cSt
Voltage supply	via HYDAC measuring instruments HMG 500, HMG 510, HMG 3000, HMG 3010 or CMU 1000

Note: <sup>1)</sup> Other measuring ranges on request

<sup>2)</sup> Other fluids on request

## Model code:

**EVS 3 1 X 8 - H - XXXX - 000**

### Housing material

- 0 = Aluminium
- 1 = Stainless steel

### Electrical connection

- 8 = Male M12x1, 5 pole  
(connector not supplied)

### Signal

- H = HSI (Automatic Sensor Recognition)

### Measuring range

- 0020 = 1.2 .. 20 l/min
- 0060 = 6.0 .. 60 l/min
- 0300 = 15.0 .. 300 l/min
- 0600 = 40.0 .. 600 l/min

### Modification number

- 000 = Standard

### Note:

On instruments with a different modification number, please read the label or the technical amendment details supplied with the instrument.

### Accessories:

Appropriate accessories, such as electrical connectors, can be found in the Accessories brochure.

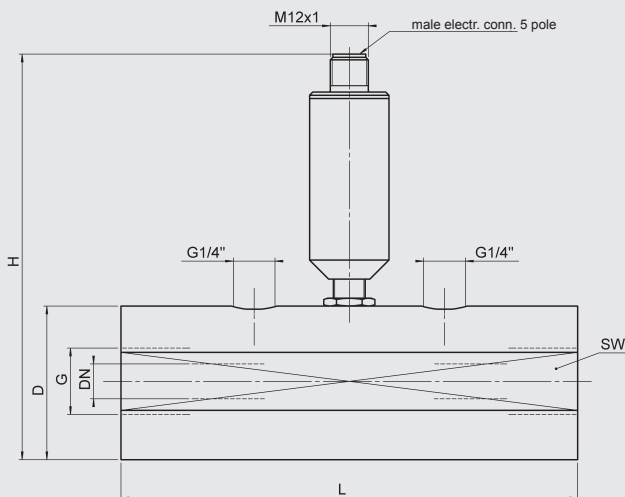
### Note:

The information in this brochure relates to the operating conditions and applications described.

For applications or operating conditions not described, please contact the relevant technical department.

Subject to technical modifications.

## Dimensions:



Model	Meas. range [l/min]	L [mm]	H [mm]	D / SW [mm]	G [mm]	Torque value [Nm]	DN [mm]
EVS 3108-H-0020	1.2 .. 20	117	135	47 / 46	G $\frac{1}{4}$ "	60	7
EVS 3108-H-0060	6 .. 60	144	135	48.5 / 46	G $\frac{1}{2}$ "	130	11
EVS 3108-H-0300	15 .. 300	155	150	63.5 / 60	G $\frac{1}{4}$ "	500	22
EVS 3108-H-0600	40 .. 600	181	150	63.5 / 60	G $\frac{1}{2}$ "	600	30
EVS 3118-H-0020	1.2 .. 20	117	135	47 / 46	G $\frac{1}{4}$ "	60	7
EVS 3118-H-0060	6 .. 60	144	135	48.5 / 46	G $\frac{1}{2}$ "	130	11
EVS 3118-H-0300	15 .. 300	155	150	63.5 / 60	G $\frac{1}{4}$ "	500	22
EVS 3118-H-0600	40 .. 600	181	150	63.5 / 60	G $\frac{1}{2}$ "	600	30

### HYDAC ELECTRONIC GMBH

Hauptstraße 27, D-66128 Saarbrücken  
 Telephone +49 (0)6897 509-01  
 Fax +49 (0)6897 509-1726  
 E-mail: [electronic@hydac.com](mailto:electronic@hydac.com)  
 Internet: [www.hydac.com](http://www.hydac.com)

