



Electronic Temperature Transmitter with HSI Sensor Recognition ETS 4148-H

Description:

The electronic temperature transmitter ETS 4148-H with HSI sensor recognition has been specially developed for use in conjunction with HYDAC measuring instruments HMG 500, HMG 510, HMG 3000, HMG 3010 and CMU 1000.

For data transmission, the ETS 4148-H has an HSI interface (HYDAC Sensor Interface). The HSI sensors are automatically recognised by the above-mentioned HYDAC measuring instruments and all necessary basic settings are taken from each sensor.

Like all temperature transmitters of the ETS 4000 series, the ETS 4148-H features a robust design and excellent EMC properties. Based on corresponding evaluation electronics, the temperature sensor is designed to measure temperatures in the range -25 °C to +100 °C.

Special features:

- Fully automatic sensor recognition by, and voltage supply from, HYDAC measuring instruments HMG 500, HMG 510, HMG 3000, HMG 3010 and CMU 1000
- Automatic transfer of measuring range, measured value and measurement unit
- Accuracy $\leq \pm 0.8\%$ FS
- Robust design
- Excellent EMC characteristics
- Excellent long term stability
- Standard protection class IP 67

Technical data:

Input data	
Measuring principle	PT 1000
Measuring range	-25 .. +100 °C
Probe length	6 mm
Probe diameter	4.5 mm
Pressure resistance	600 bar
Overload pressure	900 bar
Mechanical connection	G $\frac{1}{4}$ A DIN 3852
Torque value	20 Nm
Parts in contact with medium ¹⁾	Mech. conn.: Stainless steel Seal: FPM
Output data	
Output signal	HSI (HYDAC Sensor Interface) Automatic sensor recognition through HMG
Accuracy (at room temperature)	$\leq \pm 0.4\%$ FS typ. $\leq \pm 0.8\%$ FS max.
Temperature drift (environment)	$\leq \pm 0.01\%$ FS / °C
Rise time to DIN EN 60751	t ₅₀ : ~4 s t ₉₀ : ~8 s
Environmental conditions	
Operating temperature range ²⁾	-40 .. +85 °C / -25 .. + 85 °C
Storage temperature range	-40 .. +100 °C
Fluid temperature range ²⁾	-40 .. 125 °C / -25 .. + 125 °C
CE mark	EN 61000-6-1 / 2 / 3 / 4
Vibration resistance to DIN EN 60068-2-6 at 10 .. 500 Hz	≤ 25 g
Protection class to IEC 60529	IP 67 (when an IP 67 connector is used)
Other data	
Electrical connection	M12x1, 5 pole
Voltage supply	via HYDAC measuring instruments HMG 500, HMG 510, HMG 3000, HMG 3010 or CMU
Weight	~ 200 g

Note: Reverse polarity protection of the supply voltage, excess voltage, override and short circuit protection are provided.

FS (Full Scale) = relative to complete measuring range

¹⁾ Other seal materials available on request

²⁾ -25 °C with FPM seal, -40 °C on request

Model code:

ETS 4 1 4 8 - H - 006 - 000

Mechanical connection

4 = G1/4 A DIN 3852 (male)

Electrical connection

8 = Male, M12x1, 5 pole
(connector not supplied)

Signal

H = HSI (automatic sensor recognition)

Probe length

006 = 6 mm

Modification number

000 = Standard

Note:

On instruments with a different modification number, please read the label or the technical amendment details supplied with the instrument.

Accessories:

Appropriate accessories, such as electrical connectors, can be found in the Accessories brochure.

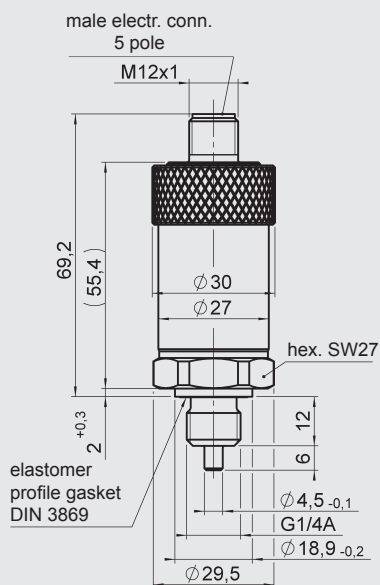
Note:

The information in this brochure relates to the operating conditions and applications described.

For applications or operating conditions not described, please contact the relevant technical department.

Subject to technical modifications.

Dimensions:



HYDAC ELECTRONIC GMBH

Hauptstraße 27, D-66128 Saarbrücken
Telephone +49 (0)6897 509-01
Fax +49 (0)6897 509-1726
E-mail: electronic@hydac.com
Internet: www.hydac.com