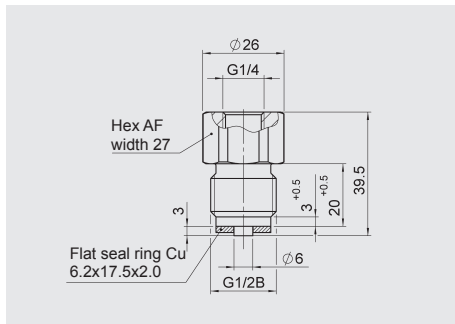


## Accessories for sensors

### Mounting and installation

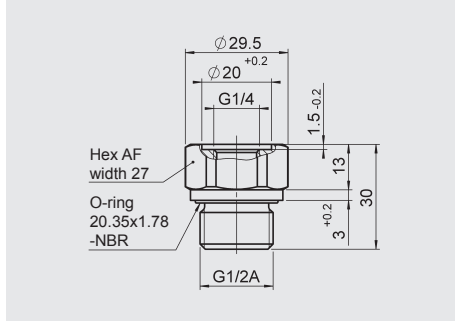
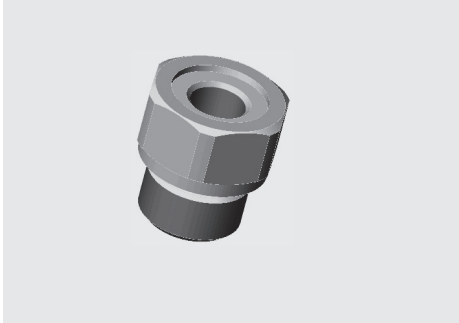
#### Adapters for pressure sensors:



#### ZBM 01

Adapter female thread G1/4 – male thread G1/2 B, DIN EN 837-1

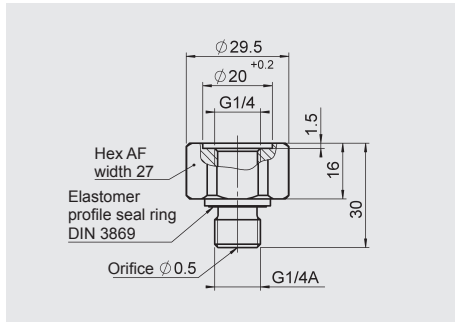
Part no.: 257276



#### ZBM 02

Adapter female thread G1/4 – male thread G1/2 A, ISO 1179-2

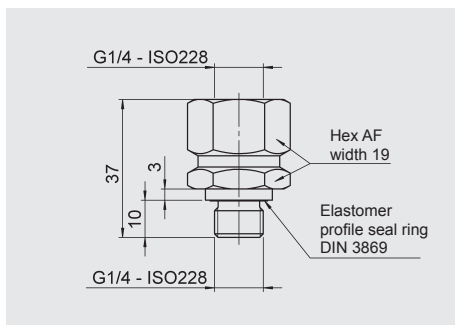
Part no.: 257277



#### ZBM 13

Adapter female thread G1/4 – male thread G1/4 A, with orifice 0.5 mm

Part no.: 906968

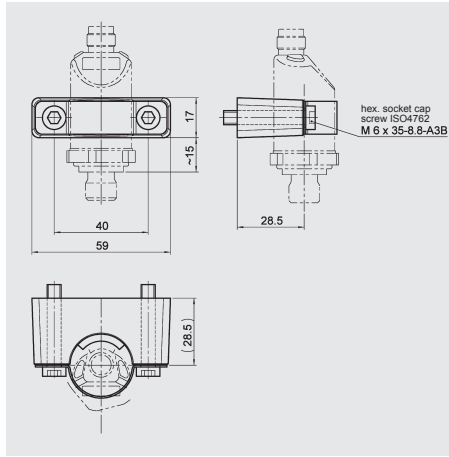
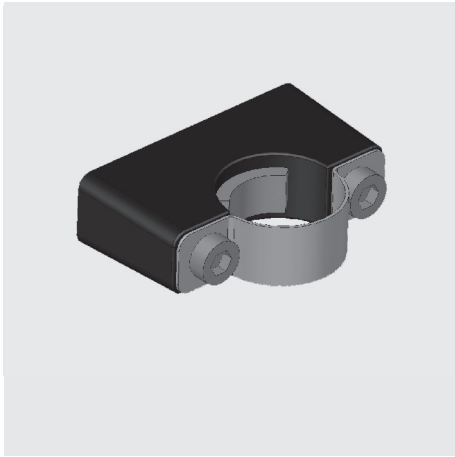


#### ZBM 14

Adapter female thread G1/4 – male thread G1/4 (rotating)

Part no.: 907818

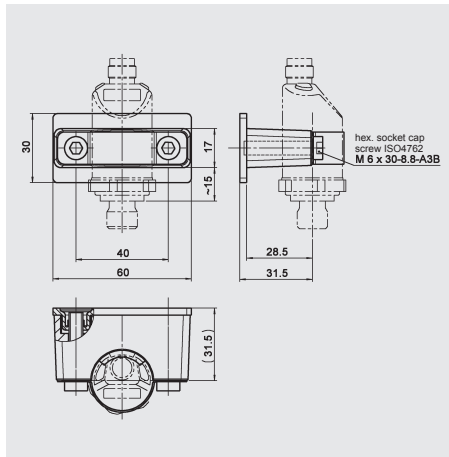
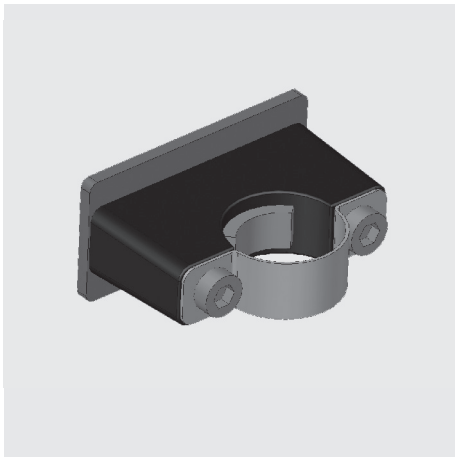
## Mounting accessories for HDA 8000, EDS 8000 and EDS 810:



### ZBM 8000

Clamp for wall-mounting  
– screw-type fitting –  
(Material of lower section:  
TPE Santoprene 10187;  
Material of top section:  
steel strip DIN 95381-1.4571)

**Part no.: 3546755**

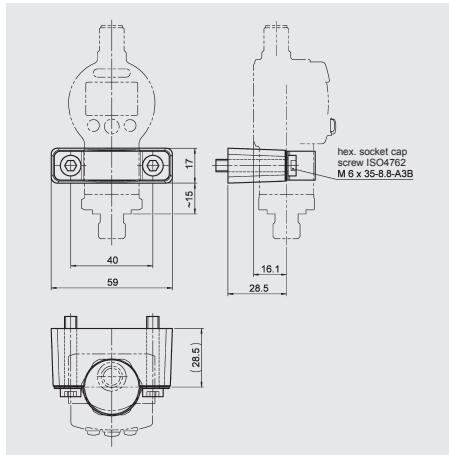
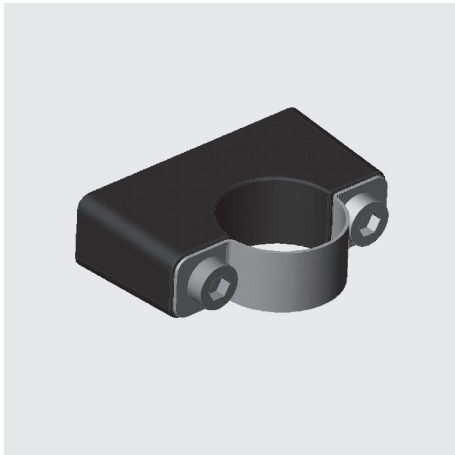


### ZBM 8100

Clamp for wall-mounting  
– weld-type fitting –  
(Material of welding bridge:  
QSTE340TM, zinc coating  
EN 12329 FE/ZN8/B;  
Material of lower section:  
TPE Santoprene 10187;  
Material of top section:  
steel strip DIN 95381-1.4571)

**Part no.: 3546757**

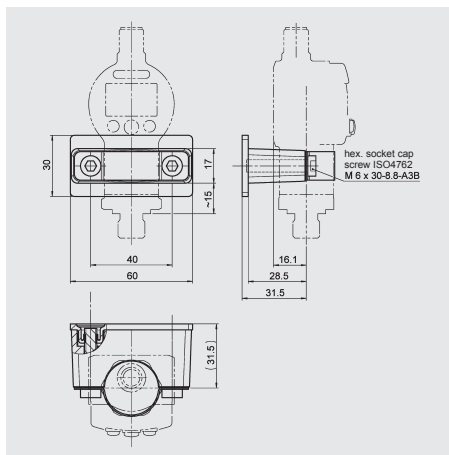
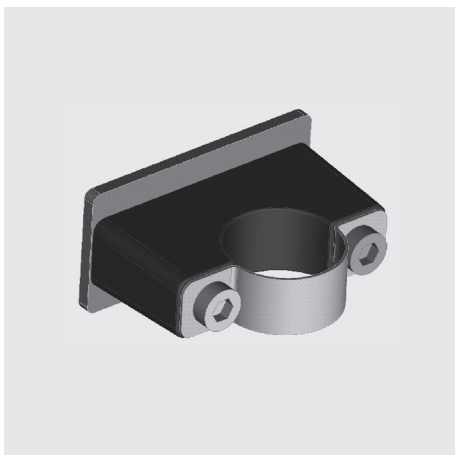
## Mounting accessories for EDS 3000, ETS 3000, AS 3000, ENS 3000 and HNS 3000:



### ZBM 3000

Clamp for wall-mounting  
– screw-type fitting –  
(Material of lower section:  
TPE Santoprene 10187;  
Material of top section:  
steel strip DIN 95381-1.4571)

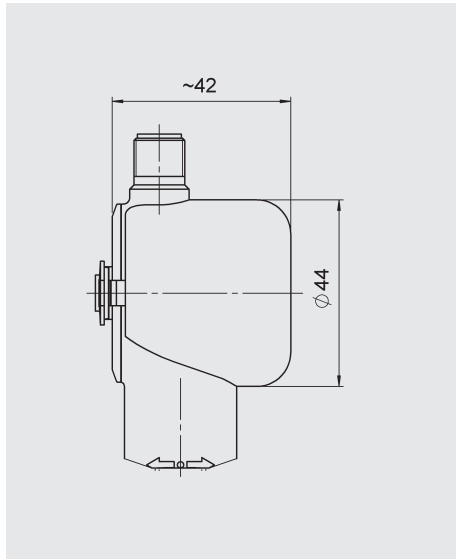
**Part no.: 3184630**



### ZBM 3100

Clamp for wall-mounting  
– weld-type fitting –  
(Material of welding bridge:  
QSTE340TM, zinc coating  
EN 12329 FE/ZN8/B;  
Material of lower section:  
TPE Santoprene 10187;  
Material of top section:  
steel strip DIN 95381-1.4571)

**Part no.: 3184632**



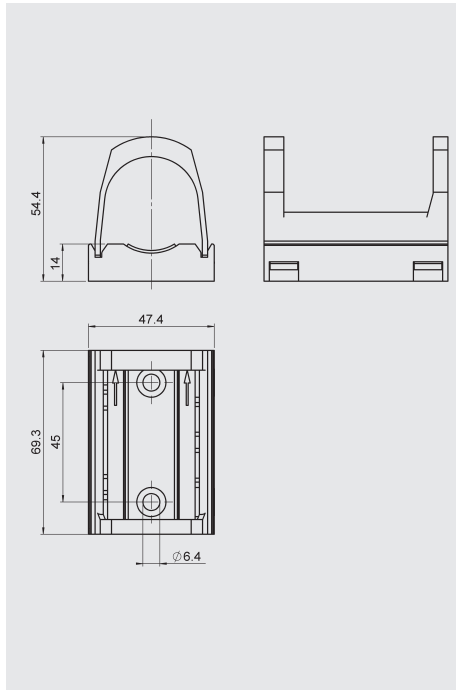
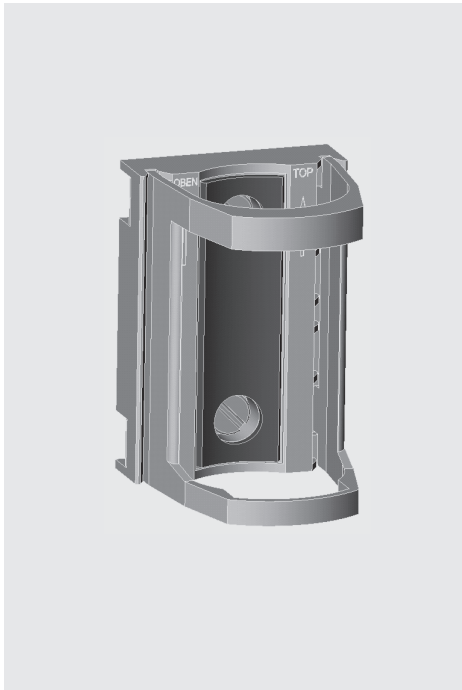
### ZBM 3200

Splash guard

(Material:  
Elastollan S60 A15 SPF 000)

**Part no.: 3201919**

## Mounting accessories for EDS 300 and ETS 300:

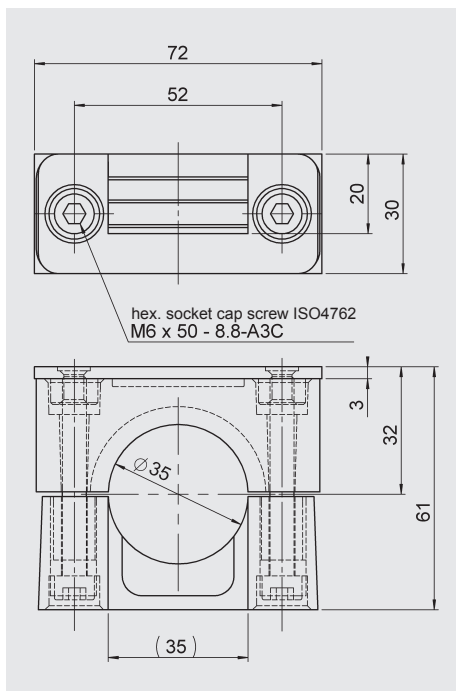
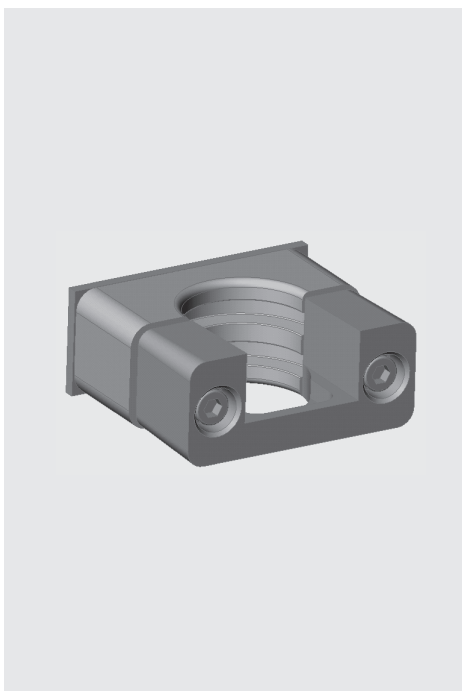


### ZBM 300

Clamp for wall-mounting  
– screw-type fitting –

(Material polypropylene)

**Part no.: 906385**



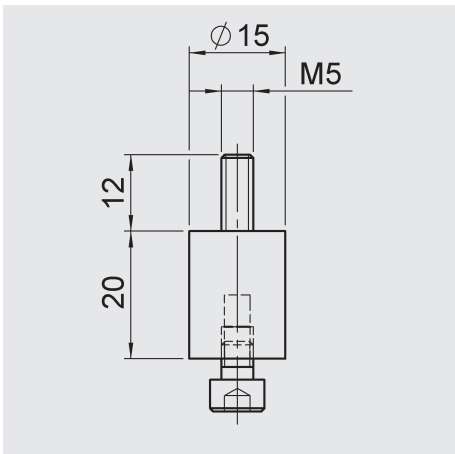
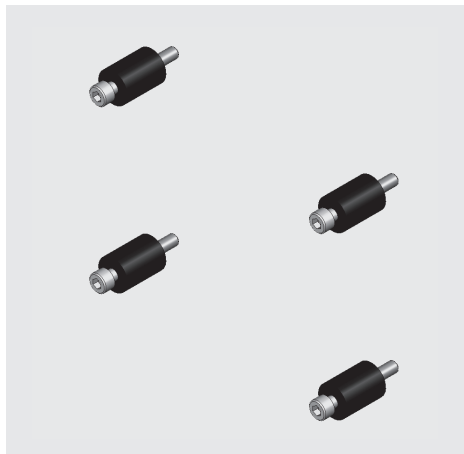
### ZBM 310

Clamp for wall-mounting  
– weld-type fitting –

(Material polypropylene,  
aluminium AISi12, steel)

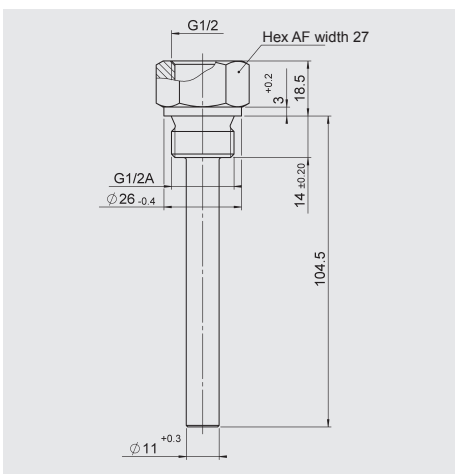
**Part no.: 6011511**

## Mounting accessories for EDS 1700 and ETS 1700:



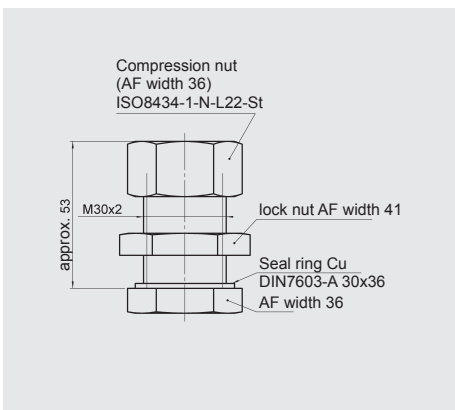
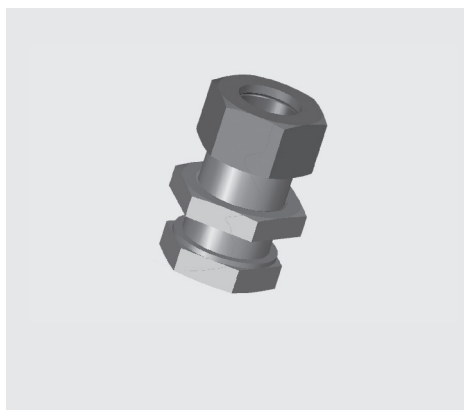
**Vibration mounts**  
Part no.: 257492

## Installation accessories for ETS 3000 (100 mm):

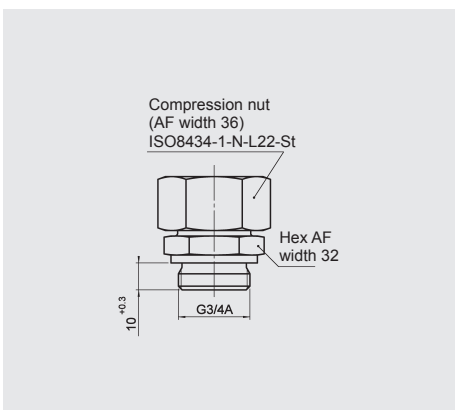
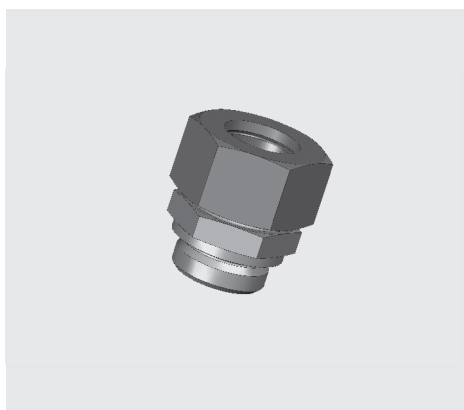


**Protective sleeve for tank installation**  
(Material CuZn39Pb3 - DIN 1763, electro-nickel-plated)  
Part no.: 909640

## Connection accessories for ENS 3000:

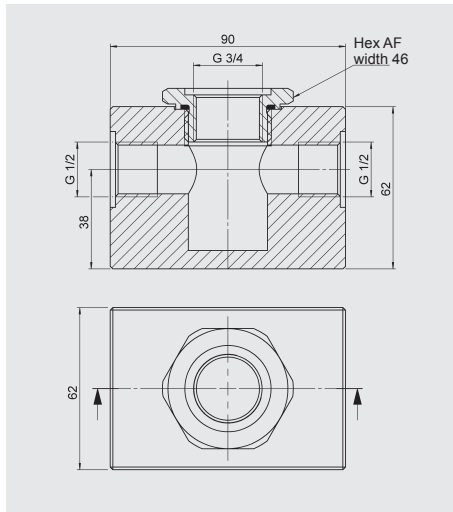
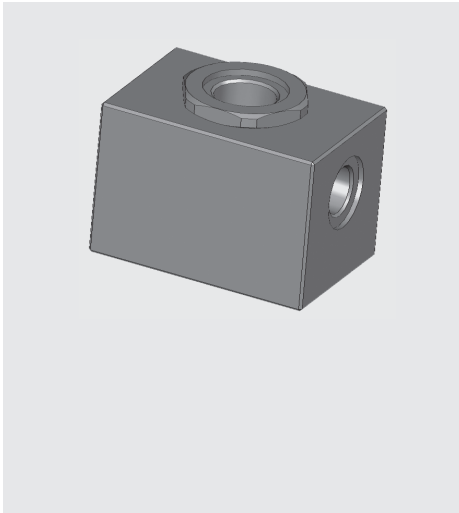


**ZBM 19**  
Straight bulkhead connection acc. to ISO 8434  
Part no.: 908738  
Note: Not suitable for ENS with 250 mm rod length



**ZBM 20**  
Straight male stud coupling acc. to ISO 8434  
Part no.: 908739

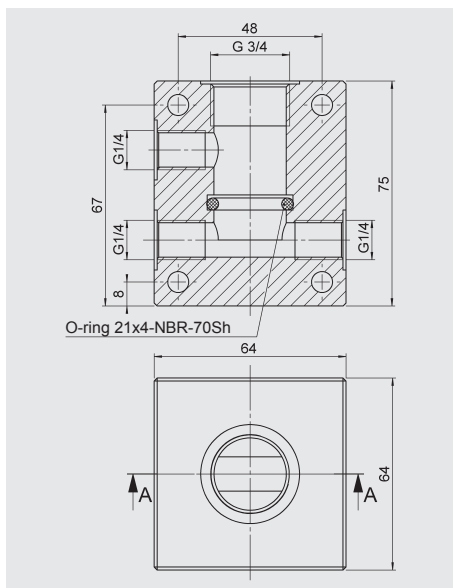
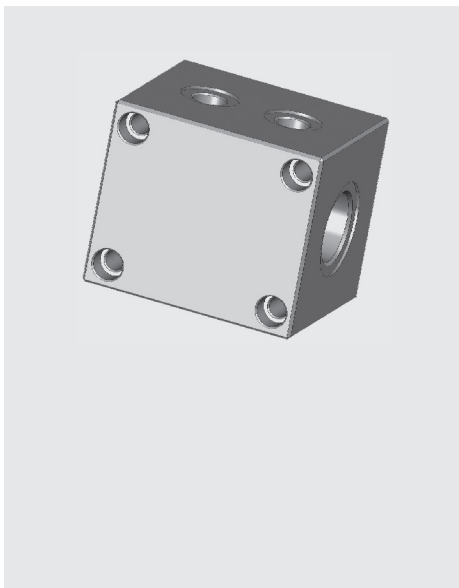
## Connection accessories for HLB 1400:



### ZBM 21 (Flow)

Mounting block  
for flow rates > 2 l/min

Part no.: 3244260

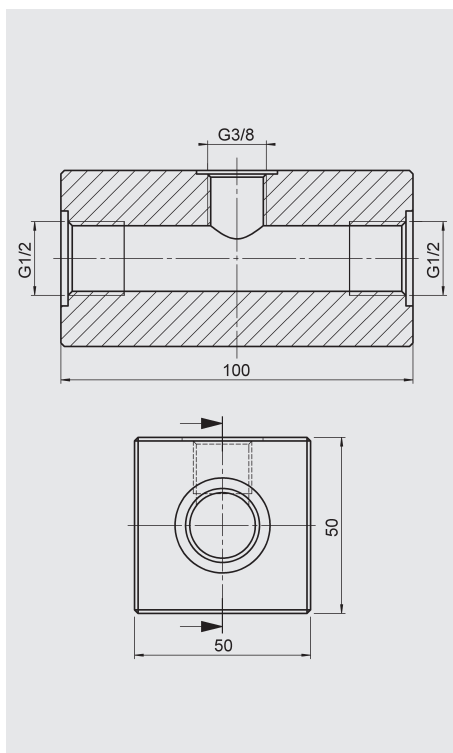


### ZBM 23 (Low Flow)

Mounting block  
for flow rates from 0.5 .. 10 l/min

Part no.: 3299331

## Connection accessories for AS 1000 and AS 3000:



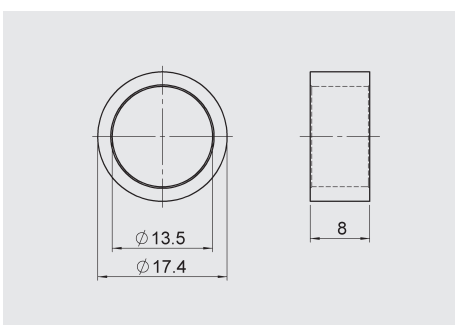
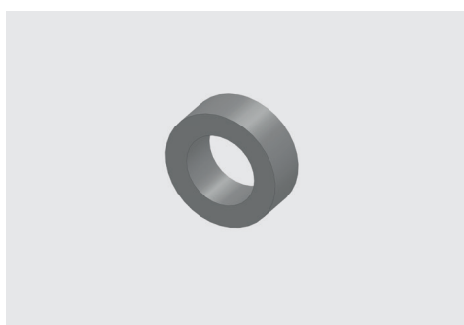
### ZBM 22

Mounting block for AquaSensor

Part no.: 3248511

## Distance and position sensor accessories Magnets for HLT 700, HLT 1000 and HLT 2000:

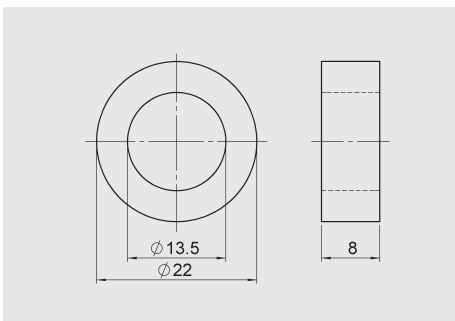
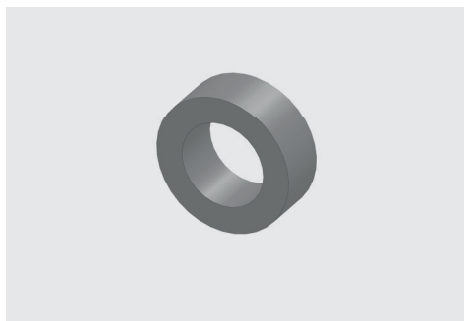
Distance sensors	Magnets								
	ZBL MR17.4	ZBL MR22	ZBL MR 25.4	ZBL MR 33	ZBL MR- HLT700	ZBL MF38-18	ZBL MU38-20	ZBL MV63	ZBL MVS35-39
HLT 1100	✓	✓	✓	✓			✓	✓	
HLT 2100	✓	✓	✓	✓			✓	✓	
HLT 2102/3	✓	✓	✓	✓			✓	✓	
HLT 2150	✓	✓	✓	✓			✓	✓	
HLT 2500-F1						✓			
HLT 2500-L2							✓	✓	✓
HLT 2550							✓	✓	✓
HLT 700					✓				



### ZBL MR17.4

Position magnet for HLT 1x00 and HLT 21xx

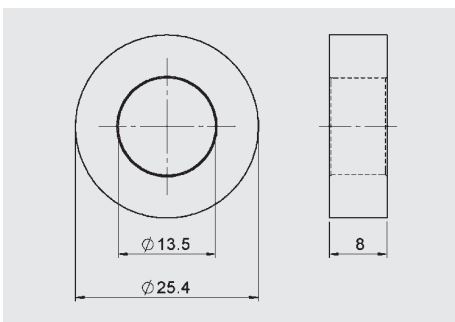
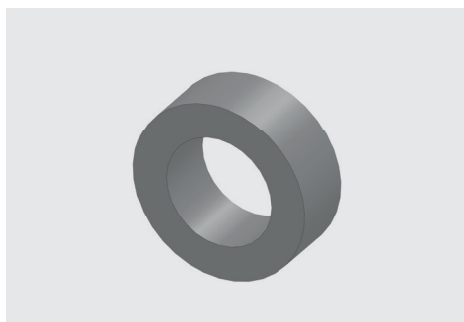
Part no.: 6119372



### ZBL MR22

Position magnet for HLT 1x00 and HLT 21xx

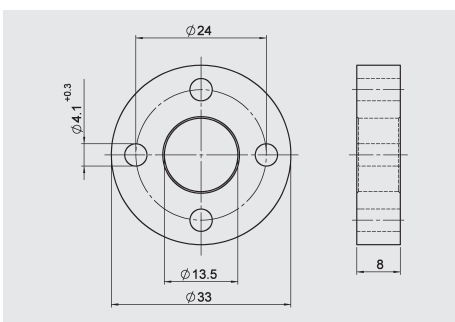
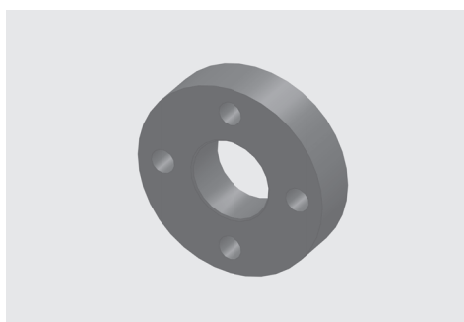
Part no.: 6084453



### ZBL MR25.4

Position magnet for HLT 1x00 and HLT 21xx

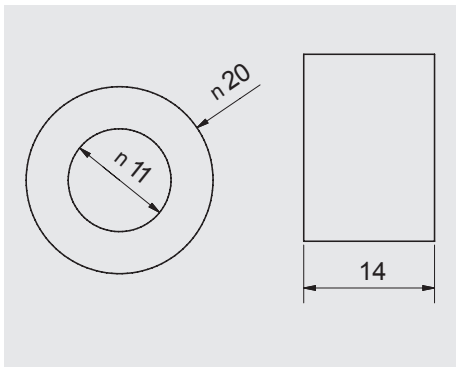
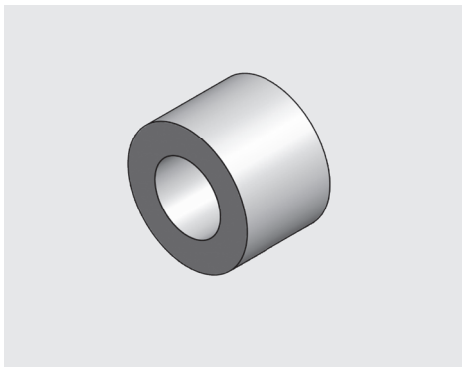
Part no.: 6141689



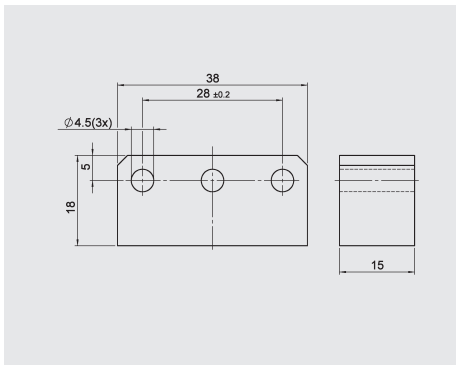
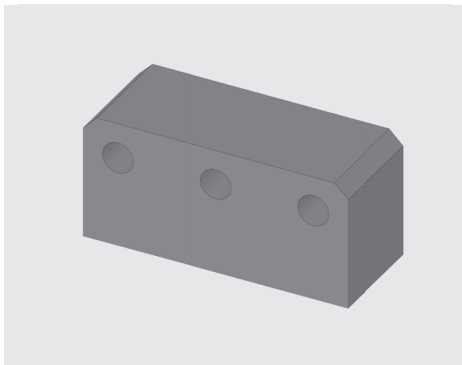
### ZBL MR33

Position magnet for HLT 1x00 and HLT 21xx

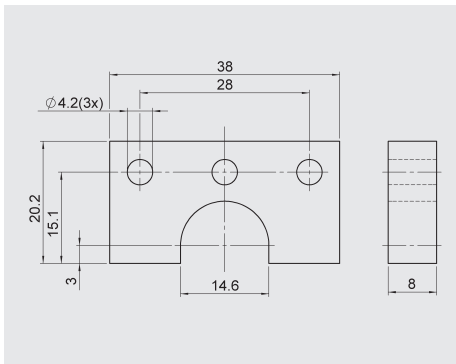
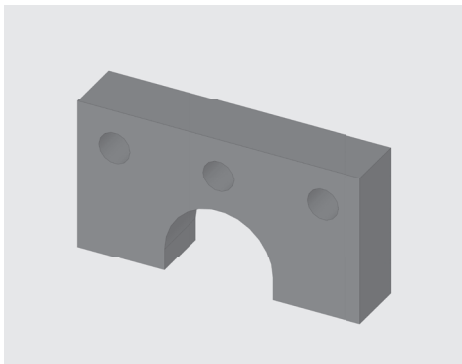
Part no.: 6084207



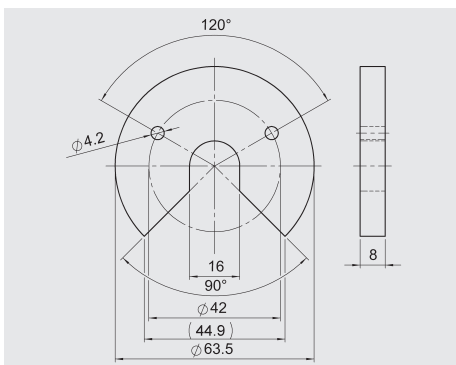
**ZBL MR-HLT700**  
Position magnet for HLT 700  
**Part no.: 4105026**



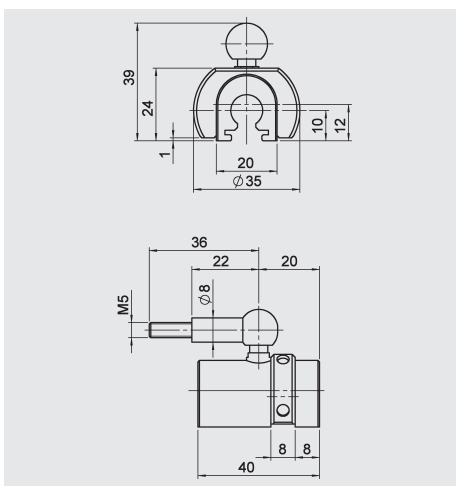
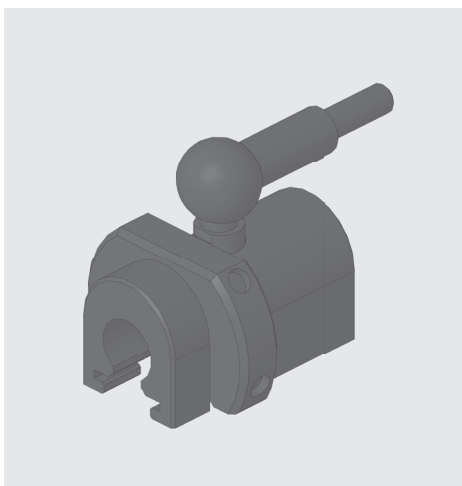
**ZBL MF38-18**  
Position magnet for HLT 2500-F1  
**Part no.: 6084456**



**ZBL MU38-20**  
Position magnet for HLT 1x00, HLT 21xx and HLT 25xx-L2  
**Part no.: 6084455**

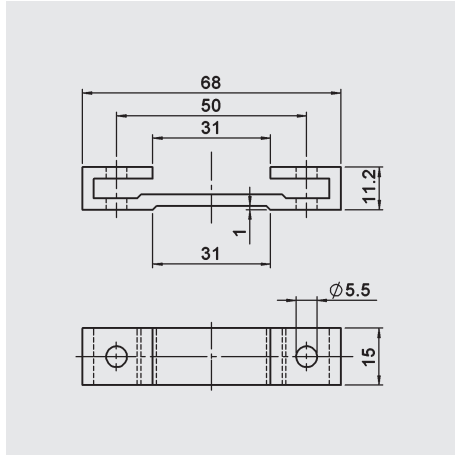
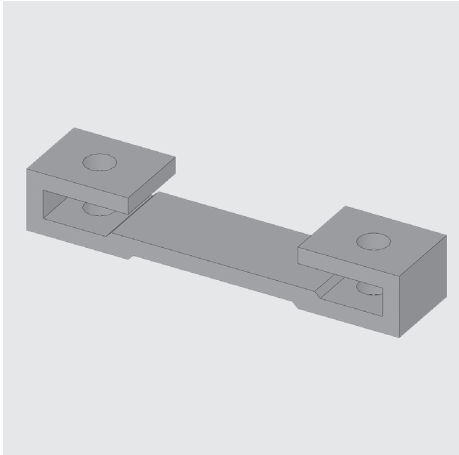


**ZBL MV63**  
Position magnet for HLT 1x00, HLT 21xx and HLT 25xx-L2  
**Part no.: 6084454**

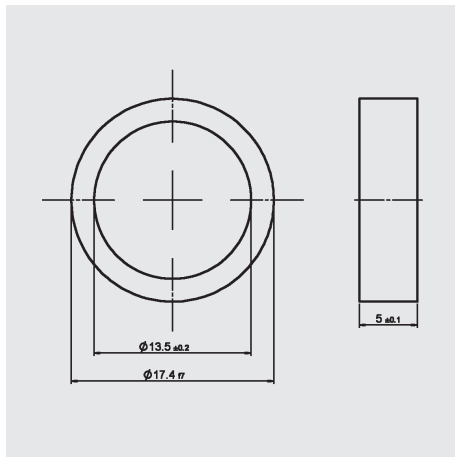
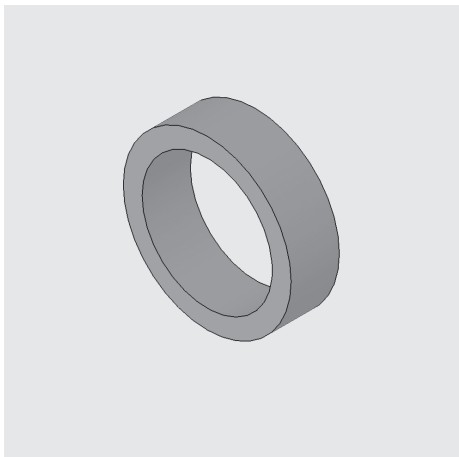


**ZBL MVS35-39**  
Magnet slide for HLT 25xx-L2  
**Part no.: 6105654**

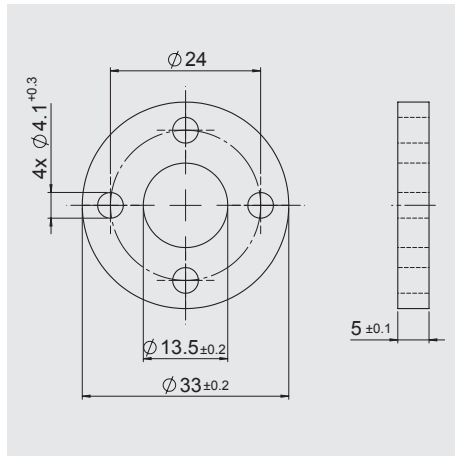
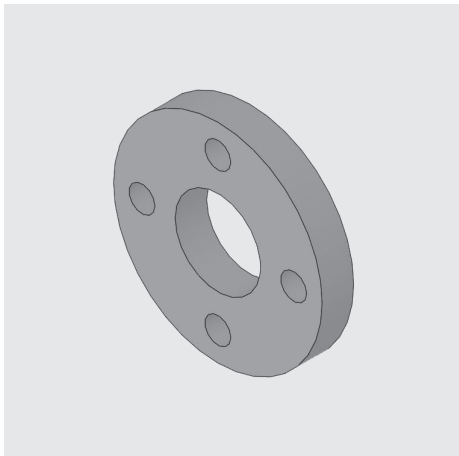
**Mounting and installation accessories for  
HLT 2000:**



**Mounting kit**  
for HLT 25xx  
**Part no.: 6105653**



**Intermediate ring AD17.4xID13.5x5**  
for HLT 21xx  
**Part no.: 3903233**

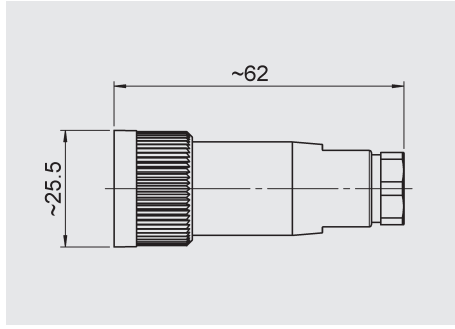


**Intermediate ring AD33xID13.5x5**  
for HLT 25xx  
**Part no.: 3887829**



## Electrical connection

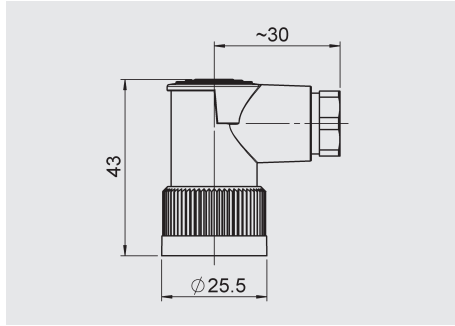
### For electrical connection code "4" (Binder series 714 M18):



#### ZBE 02

Mating connector, Binder series 714 M18  
4 pole, straight  
Cable diameter: 6.5 .. 8 mm

**Part no.:** 609479

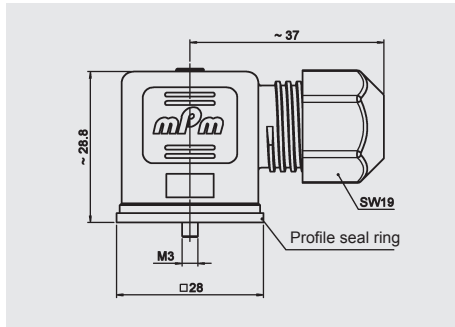
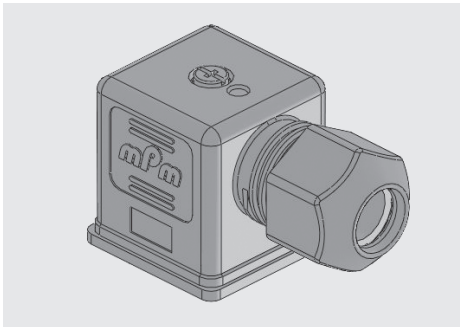


#### ZBE 03

Mating connector, Binder series 714 M18  
4 pole, right-angle  
Cable diameter: 6.5 .. 8 mm

**Part no.:** 609480

### For electrical connection code "5" (male EN 175301-803):

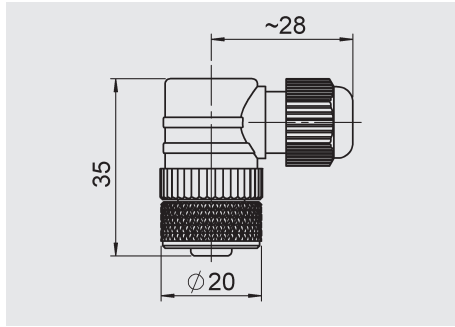


#### ZBE 01

Mating connector  
EN175301-803  
3 pole + PE, right-angle  
Cable diameter: 4.5 .. 7 mm

**Part no.:** 905701

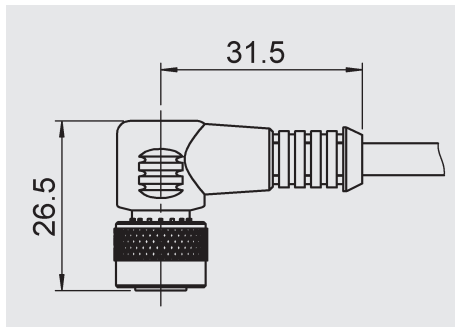
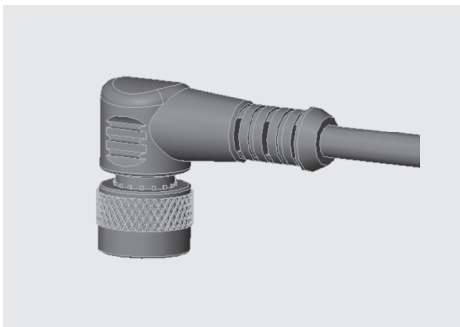
### For electrical connection code "6" and "006" (male M12x1, 4 pole):



#### ZBE 06

Mating connector M12x1  
4 pole, right-angle  
Cable diameter: 2.5 .. 6.5 mm

**Part no.:** 6006788



#### ZBE 06-02

Mating connector M12x1  
4 pole, right-angle  
with 2 m cable

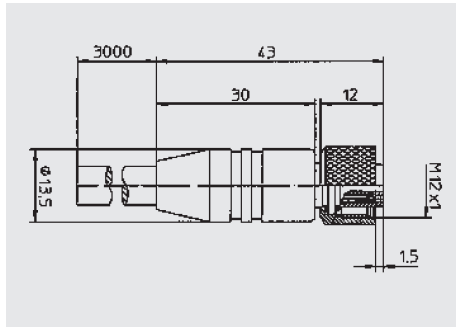
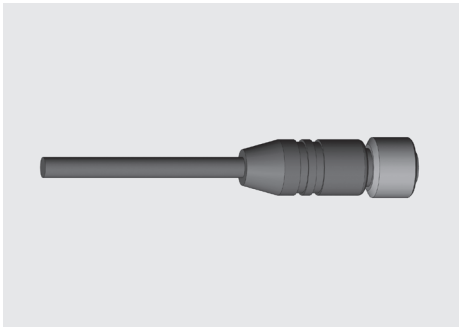
**Part no.:** 6006790

#### ZBE 06-05

Mating connector M12x1  
4 pole, right-angle  
with 5 m cable

**Part no.:** 6006789

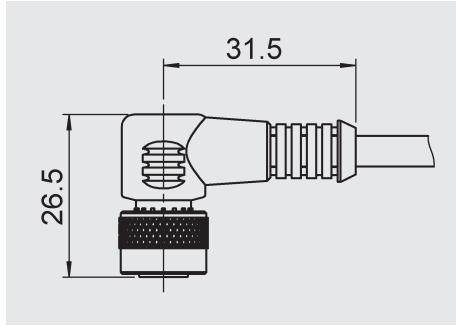
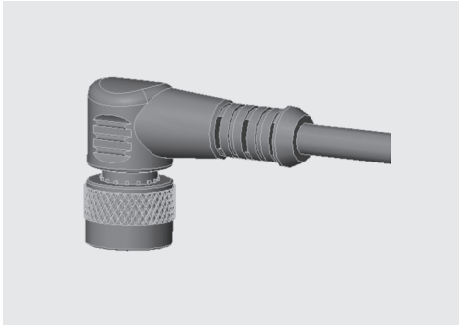
Colour code	
Pin 1	brown
Pin 2	white
Pin 3	blue
Pin 4	black



### ZBE 06S-03

Mating connector M12x1  
4 pole, straight  
with 3 m cable, shielded

**Part no.: 6098243**



### ZBE 06S-05

Mating connector M12x1  
4 pole, straight  
with 5 m cable, shielded

**Part no.: 6143284**

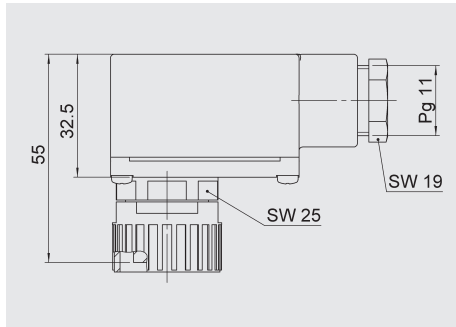
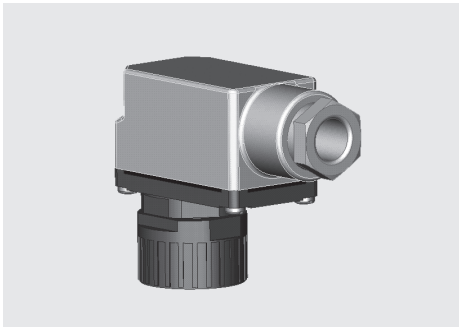
### ZBE 06S-05

Mating connector M12x1  
4 pole, right-angle  
with 5 m cable, shielded

**Part no.: 6044891**

Colour code	
Pin 1	brown
Pin 2	white
Pin 3	blue
Pin 4	black

## For electrical connection code "7" (male DIN EN 175201-804):

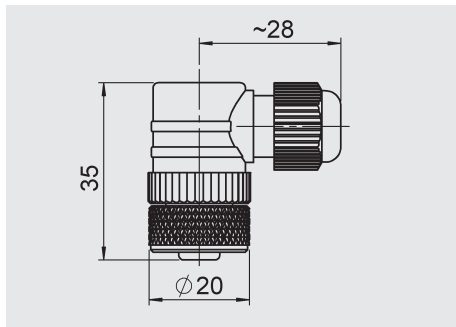


### ZBE 10

Mating connector DIN EN 175201-804  
6 pole + PE, right-angle  
Cable diameter: 7 .. 9 mm

**Part no.: 654527**

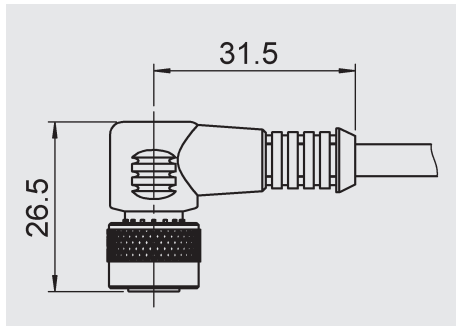
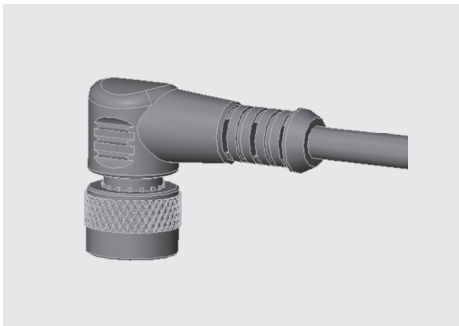
## For electrical connection code "8", "008" and "C61" (male M12x1, 5 pole):



### ZBE 08

Mating connector M12x1  
5 pole, right-angle  
Cable diameter: 2.5 .. 6.5 mm

**Part no.: 6006786**



### ZBE 08-02

Mating connector M12x1  
5 pole, right-angle  
with 2 m cable

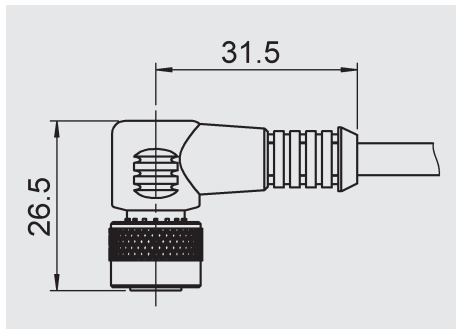
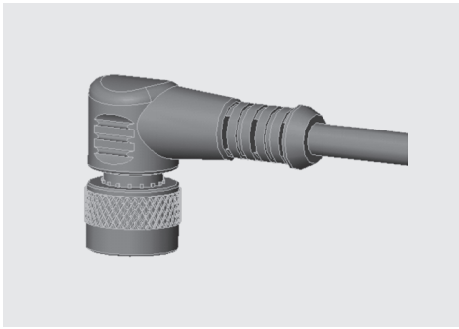
**Part no.: 6006792**

### ZBE 08-05

Mating connector M12x1  
5 pole, right-angle  
with 5 m cable

**Part no.: 6006791**

Colour code	
Pin 1	brown
Pin 2	white
Pin 3	blue
Pin 4	black
Pin 5	grey



### ZBE 08S-02

Mating connector M12x1  
5 pole, right-angle  
with 2 m cable, shielded

**Part no.: 6019455**

### ZBE 08S-05

Mating connector M12x1  
5 pole, right-angle  
with 5 m cable, shielded

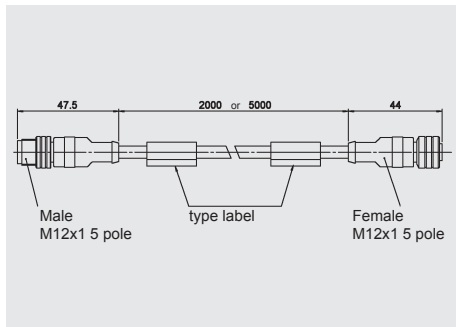
**Part no.: 6019456**

### ZBE 08S-10

Mating connector M12x1  
5 pole, right-angle  
with 10 m cable, shielded

**Part no.: 6023102**

Colour code	
Pin 1	brown
Pin 2	white
Pin 3	blue
Pin 4	black
Pin 5	grey



### ZBE 30-02

Connection cable M12x1  
male/female  
5 pole, 2 m

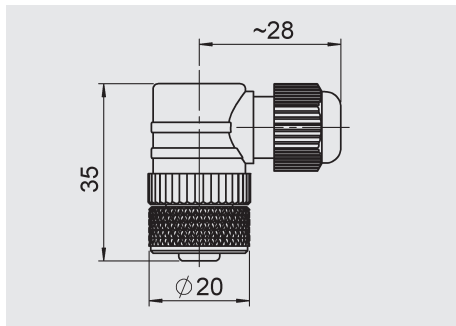
**Part no.: 6040851**

### ZBE 30-05

Connection cable M12x1  
male/female  
5 pole, 5 m

**Part no.: 6040852**

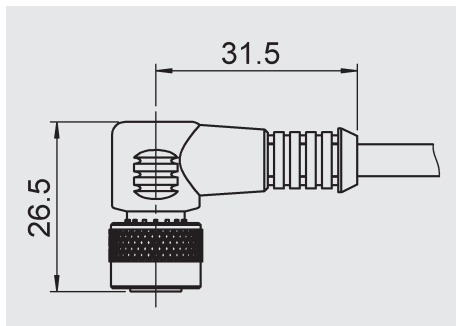
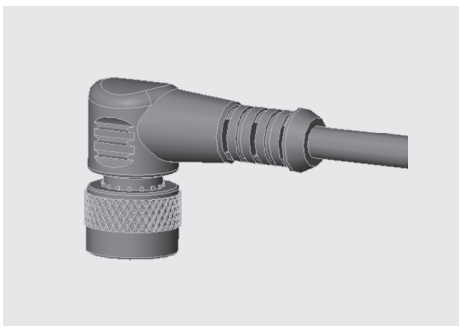
## For electrical connection code "P" and "00P" (male M12x1, 8 pole):



### ZBE 0P

Mating connector M12x1  
8 pole, right-angle  
Cable diameter: 4 .. 8 mm

**Part no.: 6055444**



### ZBE 0P-02

Mating connector M12x1  
8 pole, right-angle  
with 2 m cable

**Part no.: 6052697**

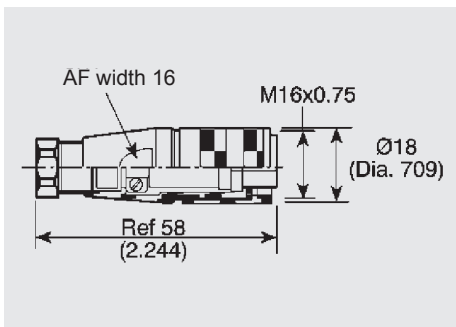
### ZBE 0P-05

Mating connector M12x1  
8 pole, right-angle  
with 5 m cable

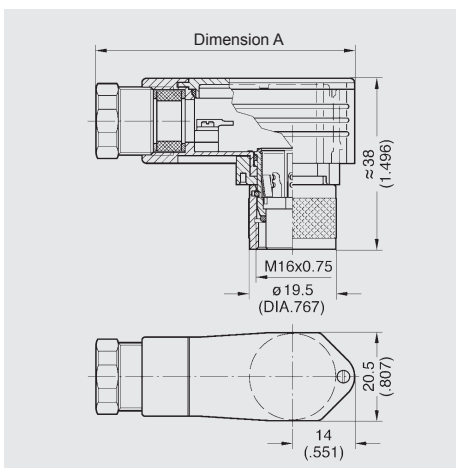
**Part no.: 6052698**

Colour code	
Pin 1	white
Pin 2	brown
Pin 3	green
Pin 4	yellow
Pin 5	grey
Pin 6	pink
Pin 7	blue
Pin 8	red

## For electrical connection code "M06" (male M16, 6 pole):

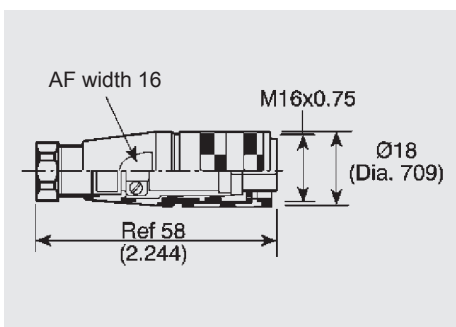


Mating connector C091,  
6 pole, straight  
Part no.: 654653

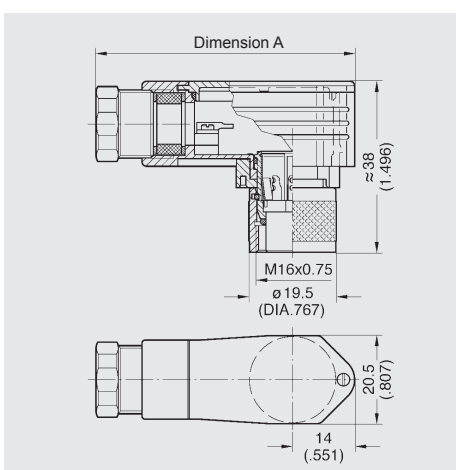


Mating connector C091,  
6 pole, right angle  
Part no.: 6174764

## For electrical connection code "M08" (male M16, 8 pole):

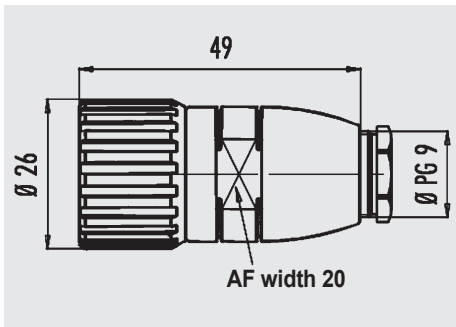


Mating connector C091,  
8 pole, straight  
Part no.: 6123255

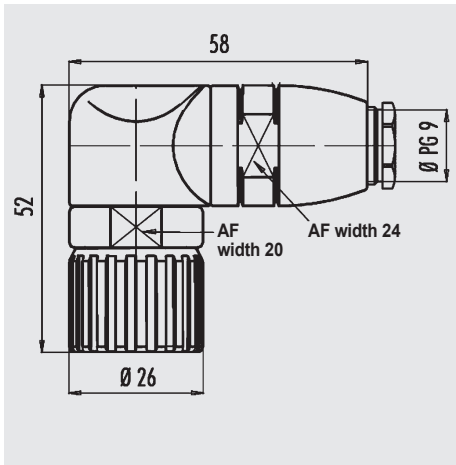


Mating connector C091,  
8 pole, right angle  
Part no.: 6174765

**For electrical connection code "S00" (CONTACT male connector, 12 pole):**

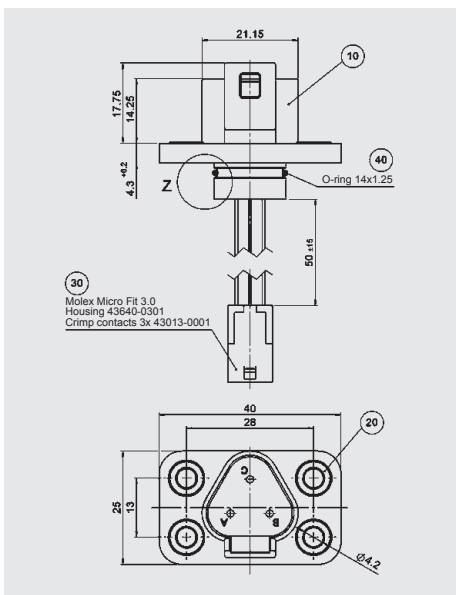


**Cable connector M23,  
12 pole, straight**  
Part no.: 6120462



**Cable connector M23,  
12 pole, right-angle**  
Part no.: 6120463

**For electrical connection code "M06", "M08" and "M24" (separate male connector Molex, 3 pole) for HLT 724 and HLT 1100:**



**ZBE 50**  
Male flange connector DT04,  
3 pole Molex  
Part no.: 4143770

**Pin assignment:**

DT04	Molex
A	1
B	2
C	3

**Note:**

The information in this brochure relates to the operating conditions and applications described. For applications or operating conditions not described, please contact the relevant technical department.  
Subject to technical modifications.

**HYDAC ELECTRONIC GMBH**  
Hauptstr. 27, 66128 Saarbrücken  
Germany  
Telephone +49 (0)6897 509-01  
Fax +49 (0)6897 509-1726  
e-mail: [electronic@hydac.com](mailto:electronic@hydac.com)  
Internet: [www.hydac.com](http://www.hydac.com)